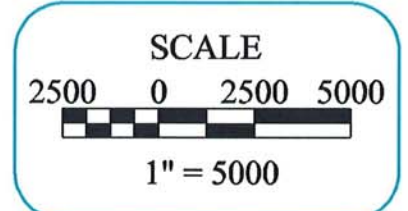


SHEET PREPARED DECEMBER, 2005

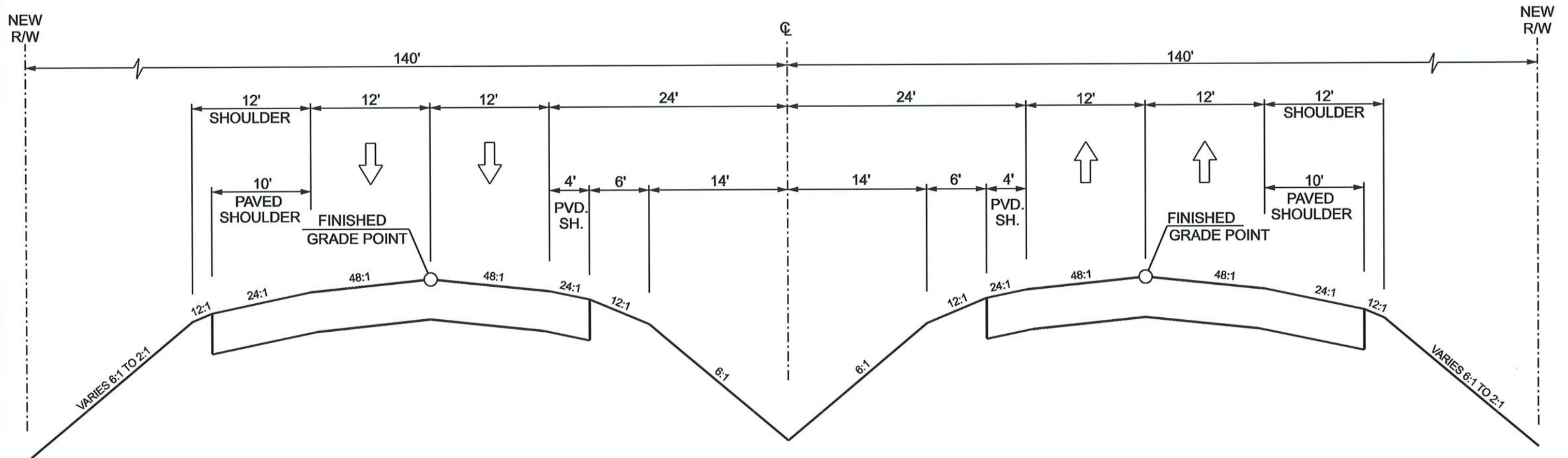
SHEET  
2



**CAROLINA BAYS PARKWAY EXTENSION**  
 HORRY COUNTY, SOUTH CAROLINA  
 BRUNSWICK COUNTY, NORTH CAROLINA  
**CORRIDOR MAPS**



**STUDY AREA AND  
 1000 FOOT WIDE CORRIDORS**



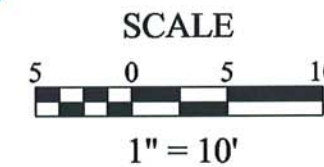
**TYPICAL 4 LANE TANGENT SECTION**  
**MAINLINE NEW LOCATION**  
**(SOUTH CAROLINA)**

SHEET PREPARED DECEMBER, 2005

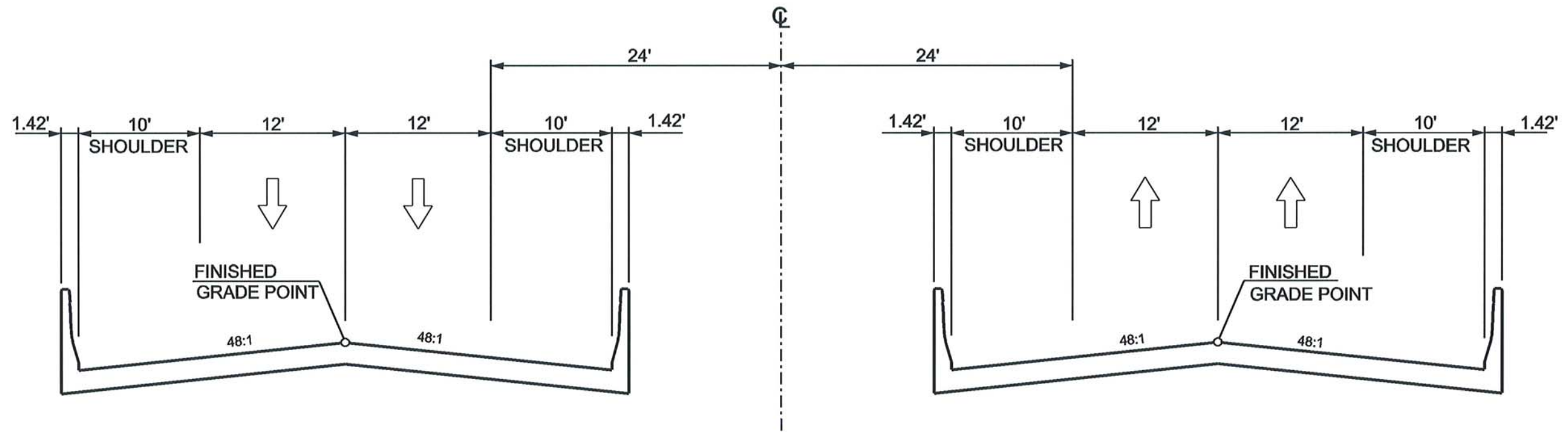
SHEET  
3



**CAROLINA BAYS PARKWAY EXTENSION**  
 HORRY COUNTY, SOUTH CAROLINA  
 BRUNSWICK COUNTY, NORTH CAROLINA  
**CORRIDOR MAPS**



TYPICAL SECTION

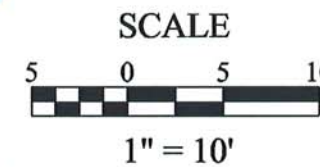


**BRIDGE TYPICAL 4 LANE TANGENT SECTION**

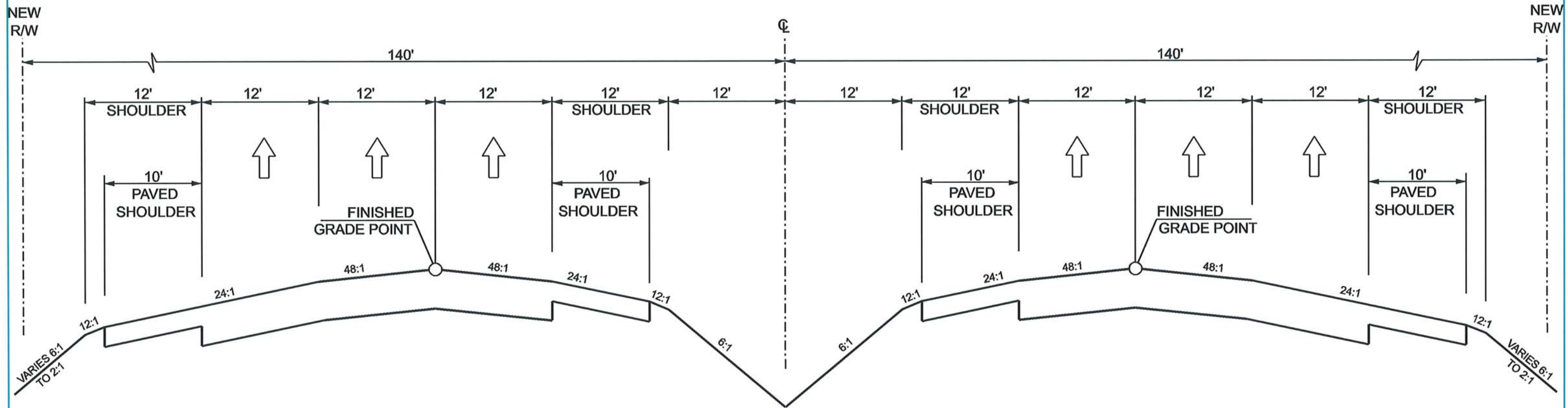
MAINLINE NEW LOCATION  
(SOUTH CAROLINA)



**CAROLINA BAYS PARKWAY EXTENSION**  
 HORRY COUNTY, SOUTH CAROLINA  
 BRUNSWICK COUNTY, NORTH CAROLINA  
**CORRIDOR MAPS**



TYPICAL SECTION

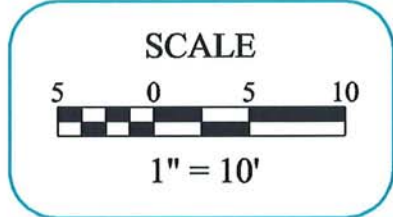


**TYPICAL 6 LANE TANGENT SECTION**  
 MAINLINE NEW LOCATION  
 (SOUTH CAROLINA)

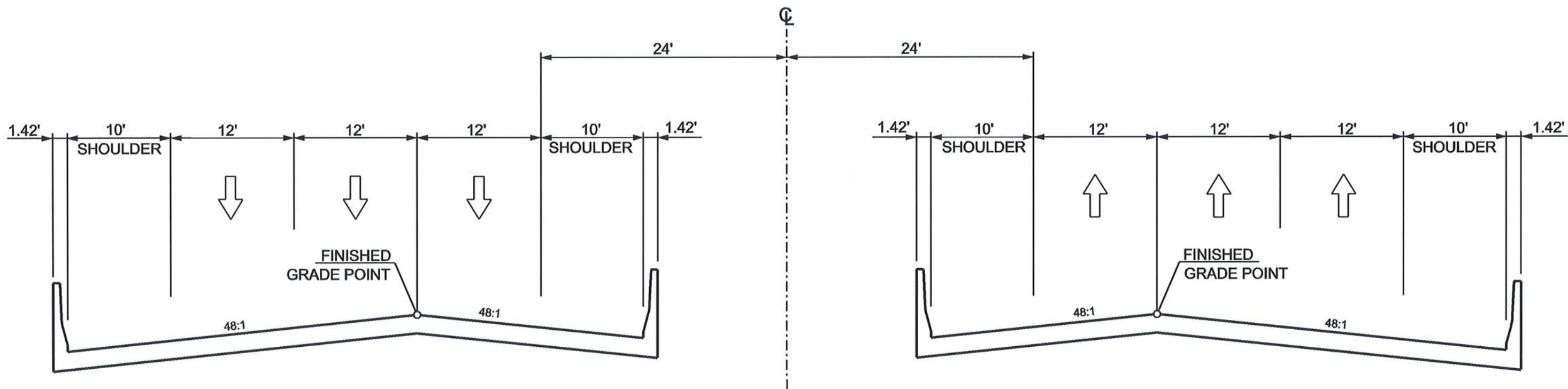
SHEET PREPARED DECEMBER, 2005  
**SHEET 5**



**CAROLINA BAYS PARKWAY EXTENSION**  
 HORRY COUNTY, SOUTH CAROLINA  
 BRUNSWICK COUNTY, NORTH CAROLINA  
**CORRIDOR MAPS**



**TYPICAL SECTION**



**BRIDGE TYPICAL 6 LANE TANGENT SECTION**

MAINLINE NEW LOCATION  
(SOUTH CAROLINA)

SHEET  
6

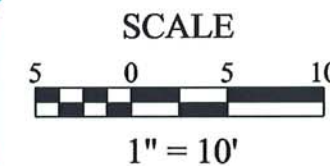
SHEET PREPARED DECEMBER, 2005



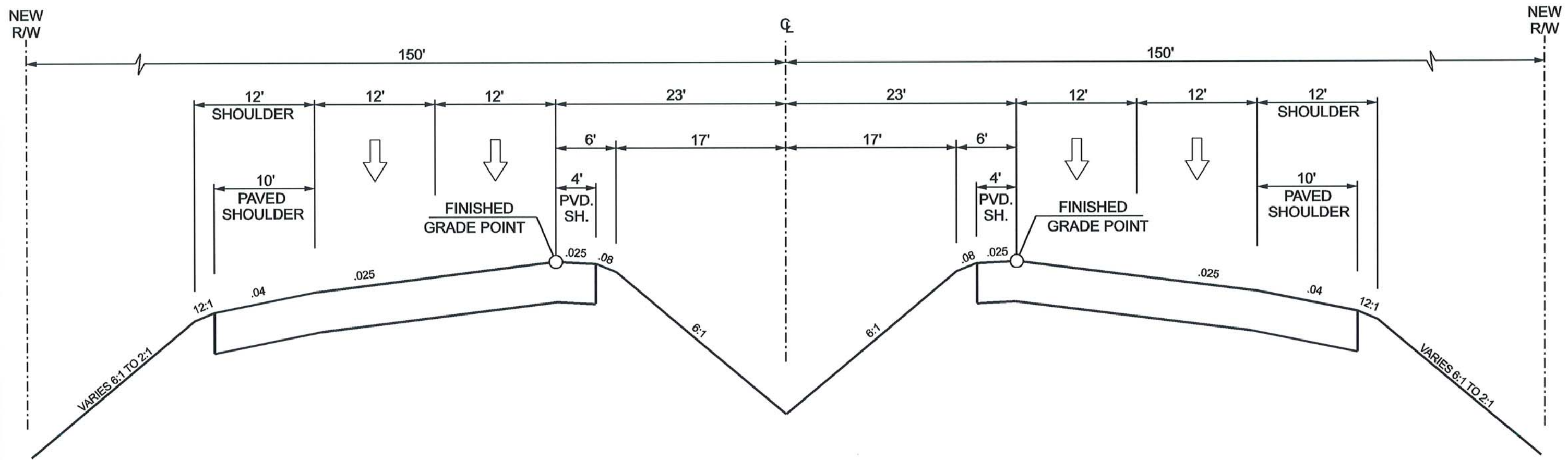
**CAROLINA BAYS PARKWAY EXTENSION**

HORRY COUNTY, SOUTH CAROLINA  
BRUNSWICK COUNTY, NORTH CAROLINA

**CORRIDOR MAPS**



TYPICAL SECTION



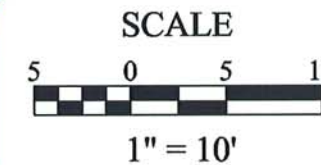
**TYPICAL 4 LANE TANGENT SECTION**  
 MAINLINE NEW LOCATION  
 (NORTH CAROLINA)

SHEET PREPARED DECEMBER, 2005

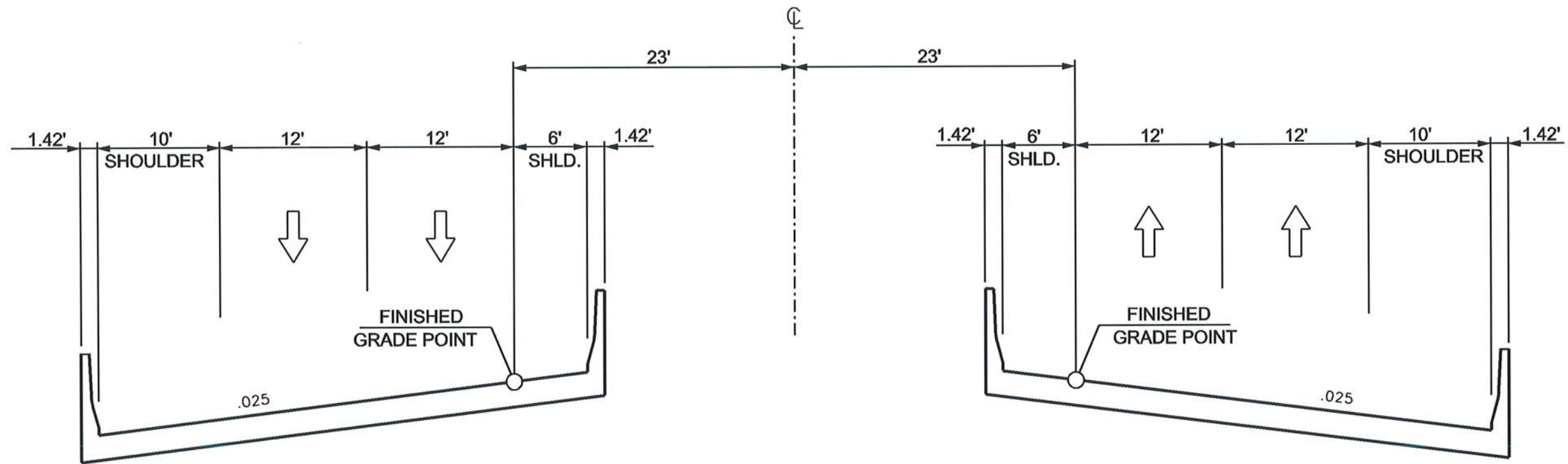
SHEET  
7



**CAROLINA BAYS PARKWAY EXTENSION**  
 HORRY COUNTY, SOUTH CAROLINA  
 BRUNSWICK COUNTY, NORTH CAROLINA  
**CORRIDOR MAPS**



TYPICAL SECTION



**BRIDGE TYPICAL 4 LANE TANGENT SECTION**

MAINLINE NEW LOCATION  
(NORTH CAROLINA)