



STATE OF NORTH CAROLINA
DEPARTMENT OF TRANSPORTATION

MICHAEL F. EASLEY
GOVERNOR

LYNDO TIPPETT
SECRETARY

July 28, 2004

U. S. Army Corps of Engineers
Regulatory Field Office
6508 Falls of the Neuse Road
Suite 120
Raleigh, NC 27615

Attn.: Mr. Eric Alsmeyer
NCDOT Coordinator

Dear Sir:

Subject: **Request for an after the fact modification of Nationwide Permit 33**, for US 117 Bypass from south of US 301 to proposed US 264 Bypass south of Wilson in Wilson County. Division 4. Federal Aid Project No. NHF-DPR-0073(002), State Project No. 8.1330502, TIP No. R-1030 D.

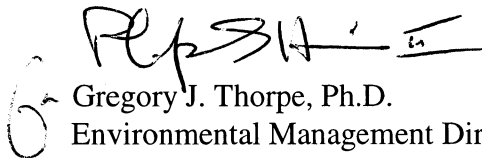
Please reference the original request for a Nationwide 23 and 33 Permit dated March 7, 2003, and the permit modification request dated October 15, 2003. We have been issued a 404 Permit, dated April 7, 2003. Due to the need to impact an additional area, we request a permit modification for the Nationwide 33. This will allow us the necessary area to safely install bridge girders with large construction equipment.

To construct the bridge over CSX Railroad we will need an additional 310.21 square feet of temporary fill in wetlands. This area is located right of -L- station 32+00+/- and was shown in the structure plans (Sheet 5 of 9) as being impacted by the temporary causeway. The proposed impacts were not included in the original permit or the recent modification.

Additionally, during construction, temporary impacts were reduced such that the original total project impact area of 0.3 acres (temp. fill in wetlands) will not be exceeded if additional impacts are authorized.

Thank you for assistance with this project. If you have any questions or need additional information please call Chris Manley at (919) 715-1487.

Sincerely,

A handwritten signature in black ink, appearing to read "Gregory J. Thorpe". The signature is written in a cursive style with a horizontal line at the end.

Gregory J. Thorpe, Ph.D.
Environmental Management Director, PDEA

GJT/cdm

cc:

W/attachment

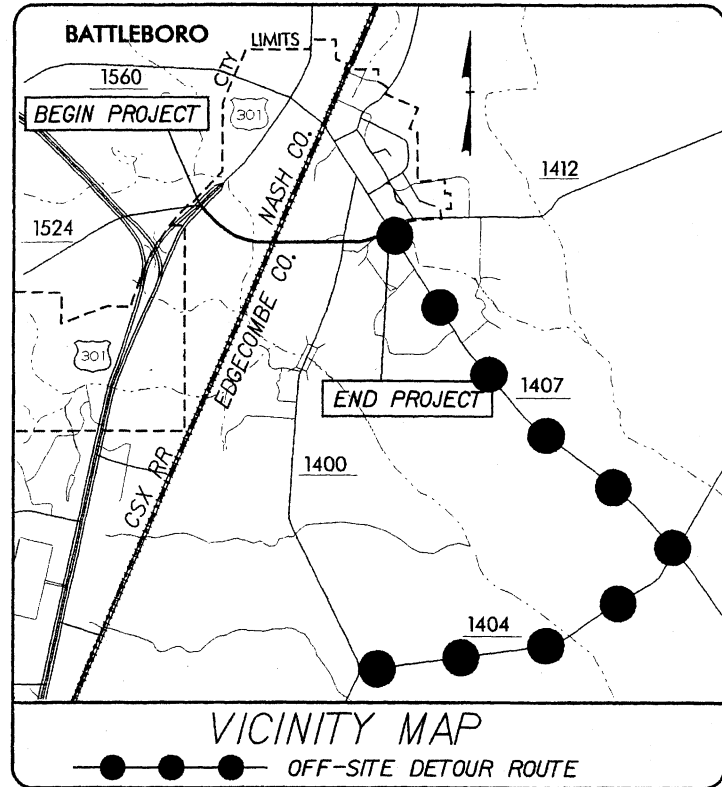
Mr. John Hennessy, Division of Water Quality (7 copies)
Mr. Travis Wilson, NCWRC
Mr. David Chang, P.E., Hydraulics
Mr. Greg Perfetti, P.E., Structure Design
Mr. Jim Trogdon, PE (Div. 4), Division Engineer
Mr. Jamie Shern (Div. 4), DEO

W/o attachment

Mr. David Franklin, USACE, Wilmington
Mr. Jay Bennett, P.E., Roadway Design
Mr. Omar Sultan, Programming and TIP
Mr. Art McMillan, P.E., Highway Design
Mr. Mark Staley, Roadside Environmental
Mr. David Franklin, USACE, Wilmington
Mr. Eric Midkiff, P.E., PDEA Project Planning Engineer

U-3329

PROJECT: 8.2321402



STATE OF NORTH CAROLINA
DIVISION OF HIGHWAYS

NASH-EDGECOMBE COUNTIES

LOCATION: NEW CONNECTOR FROM US 301 IN NASH COUNTY TO SR 1407 (BATTLEBORO ROAD) IN EDGECOMBE COUNTY

TYPE OF WORK: WIDENING, GRADING, DRAINAGE, PAVING, CURB AND GUTTER, SIGNALS, AND STRUCTURE

STATE	STATE PROJECT INFORMATION	NO.	NO.
N.C.	U-3329		
STATE PROJ. NO.	F.A. PROJ. NO.	DESCRIPTION	
8.2321401	STP-0402(1)	PE, UTIL., RW	
8.2321402	STP-0402(1)	CONST.	

STRUCTURES

-L- STA.10+83
BEGIN STATE PROJECT 8.2321402
BEGIN F.A. PROJECT STP-0402(1)

SR 1524
TO RED OAK
RED OAK - BATTLEBORO RD

US 301
TO ROCKY MOUNT

-L- STA 25+87.822
BEGIN BRIDGE

BEECH BRANCH TRIBUTARY

MASH COUNTY
EDGECOMBE COUNTY

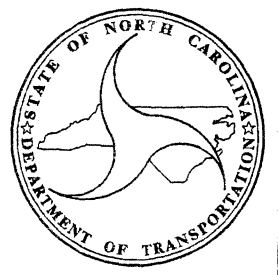
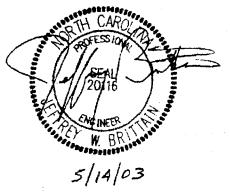
-L- STA 34+96.822
END BRIDGE

SR 1400
OLD BATTLEBORO RD

-L- STA.60+91.4
END STATE PROJECT 8.2321402
END F.A. PROJECT STP-0402(1)

TO BATTLEBORO
BATTLEBORO ROAD

SR 1412
TO NC 33
MORNING STAR CHURCH ROAD



DESIGN DATA

ADT 2002 =	1950-2325
ADT 2025 =	3000-3200
DHV =	65 %
D =	11 %
T =	4 % *
V =	50 MPH
* TTST 2 %	DUAL 2 %

PROJECT LENGTH

LENGTH ROADWAY F.A. PROJECT STP-0402(1)	=	0.777 MILES
LENGTH STRUCTURE F.A. PROJECT STP-0402(1)	=	0.172 MILES
TOTAL LENGTH STATE PROJECT 8.2321402	=	0.949 MILES

PLANS PREPARED BY:	PLANS PREPARED FOR:
TGS ENGINEERS TGS ENGINEERS 145 WEST PARKER ROAD MORGANTON, NC 28655	DIVISION OF HIGHWAYS 1000 Birch Ridge Dr. Raleigh, NC 27610
2002 STANDARD SPECIFICATIONS	
LETTING DATE: JULY 15, 2003	

STRUCTURE DESIGN UNIT

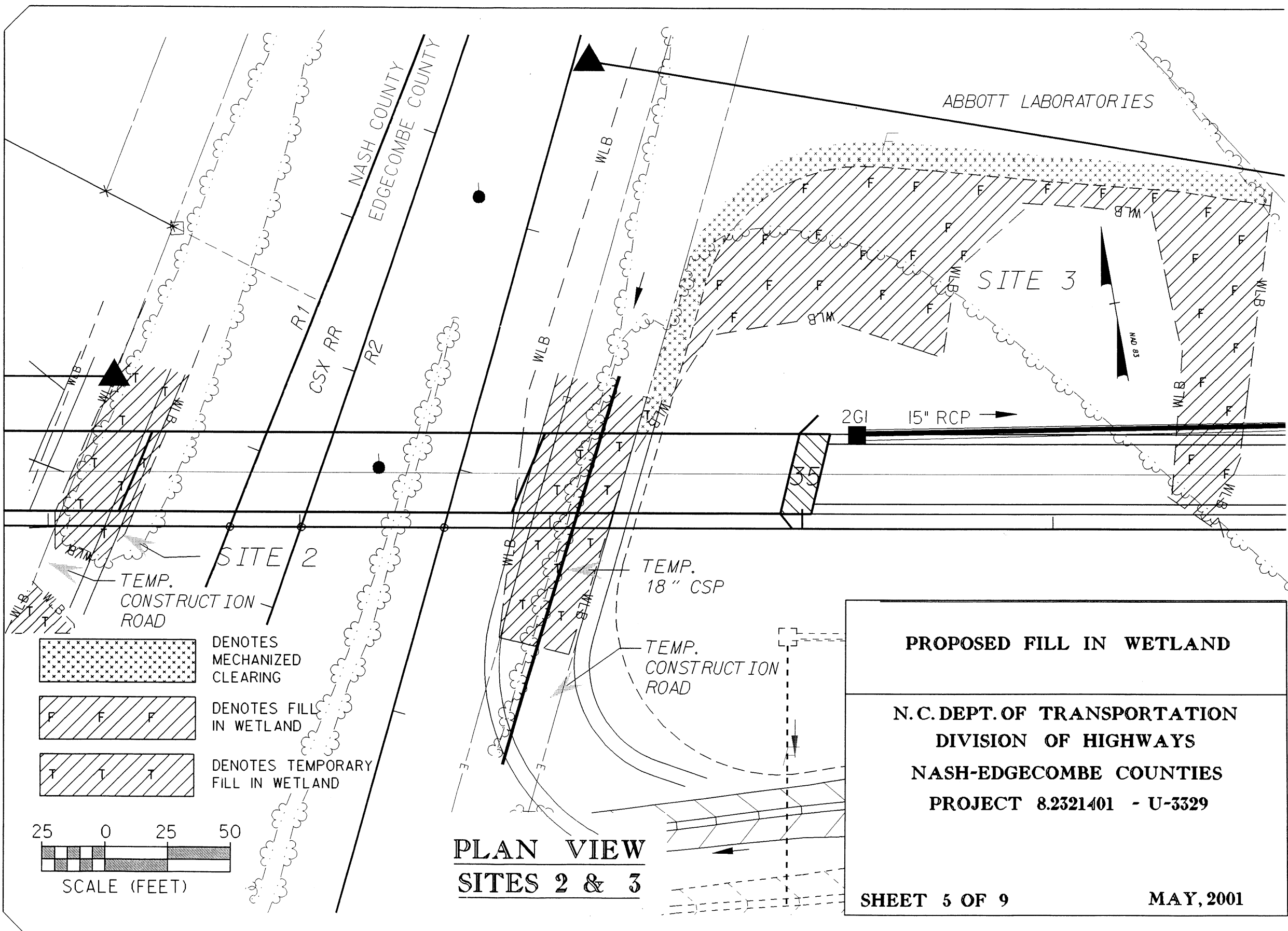
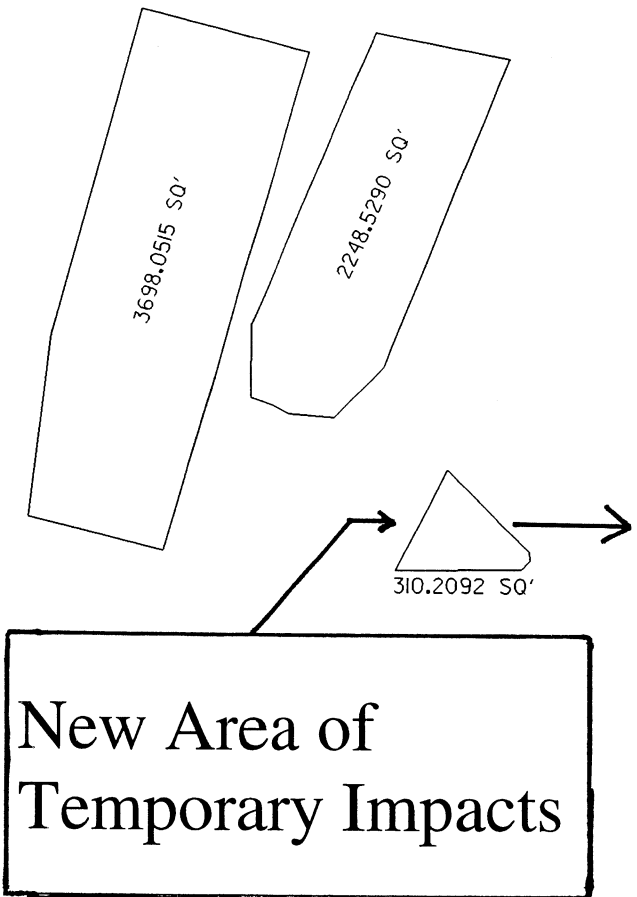
**DIVISION OF HIGHWAYS
STATE OF NORTH CAROLINA**

D. M. Barbour P.E.
STATE HIGHWAY ENGINEER - DESIGN

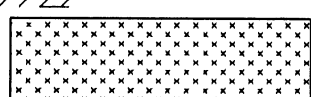
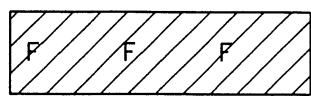
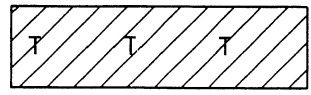
DEPARTMENT OF TRANSPORTATION
FEDERAL HIGHWAY ADMINISTRATION

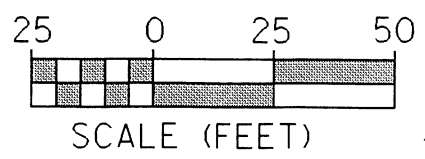
APPROVED FOR
DIVISION ADMINISTRATOR

DATE



**PLAN VIEW
SITES 2 & 3**

-  DENOTES MECHANIZED CLEARING
-  DENOTES FILL IN WETLAND
-  DENOTES TEMPORARY FILL IN WETLAND



PROPOSED FILL IN WETLAND

N.C. DEPT. OF TRANSPORTATION
DIVISION OF HIGHWAYS
NASH-EDGECOMBE COUNTIES
PROJECT 8.2321401 - U-3329

SHEET 5 OF 9 MAY, 2001