



STATE OF NORTH CAROLINA
DEPARTMENT OF TRANSPORTATION

BEVERLY EAVES PERDUE
GOVERNOR

EUGENE A. CONTI
SECRETARY

June 7, 2012

U.S. Army Corps of Engineers
Regulatory Field Office
PO Box 1000
Washington, NC 27889-1000

ATTENTION: Mr. Tom Steffens
NCDOT Coordinator

Dear Sir:

Subject: **Permit Modification Request for Section 404 General Permit 198200031, Section 401 Water Quality Certification, and Neuse Riparian Buffer Authorization** for the proposed replacement of Bridge No. 102 on SR 1331 over Black Creek, Johnston County. TIP No. B-4560; Federal Aid Project No. BRZ-1331(10); Debit \$240 from WBS 33771.1.1

References: Section 404 General Permit 31 issued September 12, 2011; USACE Permit No. SAW- 2011-01674.

Section 401 Water Quality Certification and Neuse Riparian Buffer Authorization issued July 20, 2011; NCDWQ Project No. 20110639

Please see the enclosed revised permit drawings and buffer drawings for the subject project. Due to the contractor's need to operate equipment for installing the temporary work bridges, mechanized clearing will increase permanent wetland impacts by 0.06 acre. This additional 0.06 acre of impact increases the total permanent wetland impacts on this project to 0.09 acre. The need for additional space to construct temporary work bridges will also create an increase of 4,764 sq. ft. of riparian buffer impacts. This addition increases the total buffer impacts to 7,467 sq. ft.

Regulatory approvals

Section 404 Permit: NCDOT requests that the U.S. Army Corps of Engineers (USACE) review this permit modification request and modify the referenced General Permit 31, as required for the above-described activities.

MAILING ADDRESS:
NC DEPARTMENT OF TRANSPORTATION
PROJECT DEVELOPMENT AND ENVIRONMENTAL ANALYSIS
1548 MAIL SERVICE CENTER
RALEIGH NC 27699-1548

TELEPHONE: 919-707-6100
FAX: 919-212-5785
WEBSITE: WWW.NCDOT.ORG

LOCATION:
CENTURY CENTER BUILDING B
1020 BIRCH RIDGE DR.
RALEIGH, NC 27610

Section 401 Water Quality Certification: NCDOT requests that the North Carolina Division of Water Quality (NCDWQ) review this permit modification request and modify the referenced 401 General Certification Number 3886 for this project. NCDOT is providing five copies of this permit modification request to the NCDWQ for their approval. Authorization to debit the \$240 modification fee from WBS Element 33779.1.1 is hereby given.

Neuse Buffer Authorization: NCDOT requests that the NC Division of Water Quality review this permit modification request and re-issue written approval for a Neuse Riparian Buffer Authorization.

A copy of this permit modification request and its distribution list will be posted on the NCDOT website at <http://www.ncdot.org/doh/preconstruct/pe/neu/permit.html>

Thank you for your assistance with this project. If you have any questions or need additional information, please contact John S. Merritt at jsmerritt@ncdot.gov or (919) 707-6140.

Sincerely,



for

Gregory J. Thorpe, Ph.D., Manager
Project Development and Environmental Analysis Unit

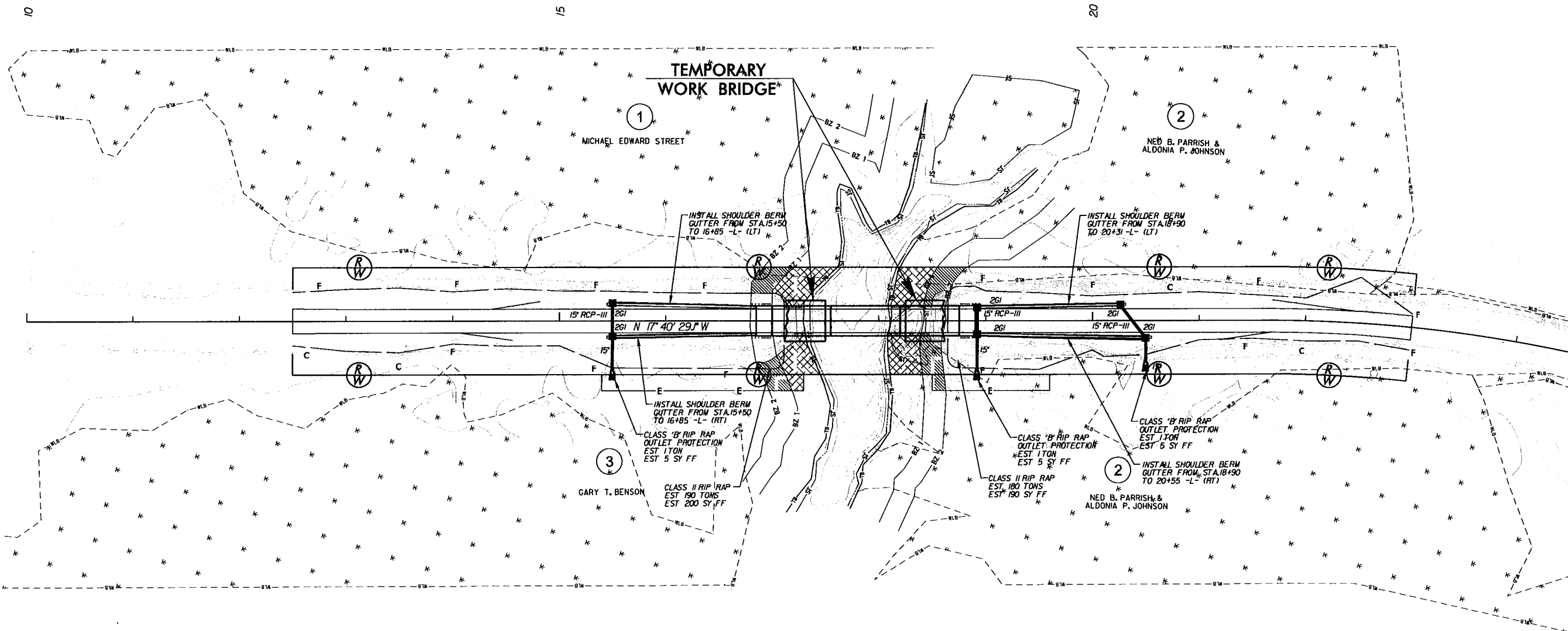
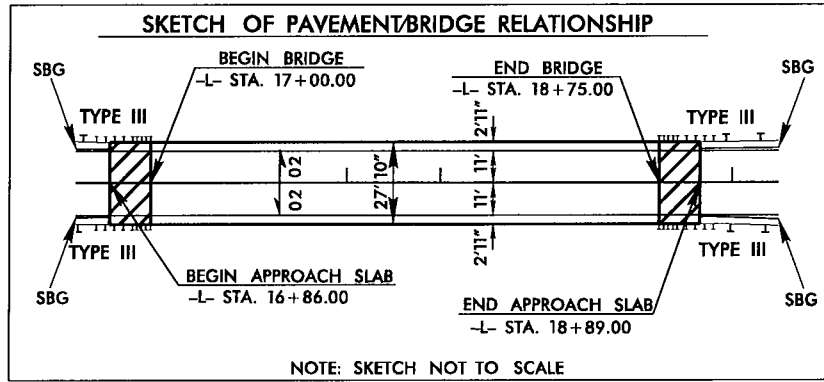
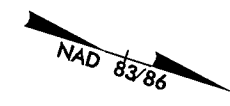
cc:

NCDOT Permit Application Standard Distribution List

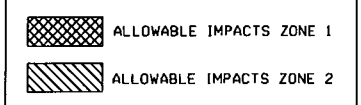
5/14/99

PROJECT REFERENCE NO. B-4560	SHEET NO. 4
RW SHEET NO.	
ROADWAY DESIGN ENGINEER	HYDRAULICS ENGINEER
INCOMPLETE PLANS DO NOT USE FOR R/W ACQUISITION	
PRELIMINARY PLANS DO NOT USE FOR CONSTRUCTION	

Revised 6/6/2012
Buffer Permit Drawing
Sheet 3 of 9



N. C. DEPT. OF TRANSPORTATION
DIVISION OF HIGHWAYS
JOHNSTON COUNTY
PROJECT: 33771.11 (B-4560)
BRIDGE NO. 102 ON SR 1331
(FEDERAL RD) OVER
BLACK CREEK
DATE: 06/05/2012

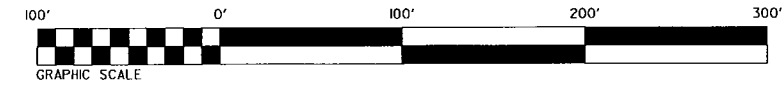
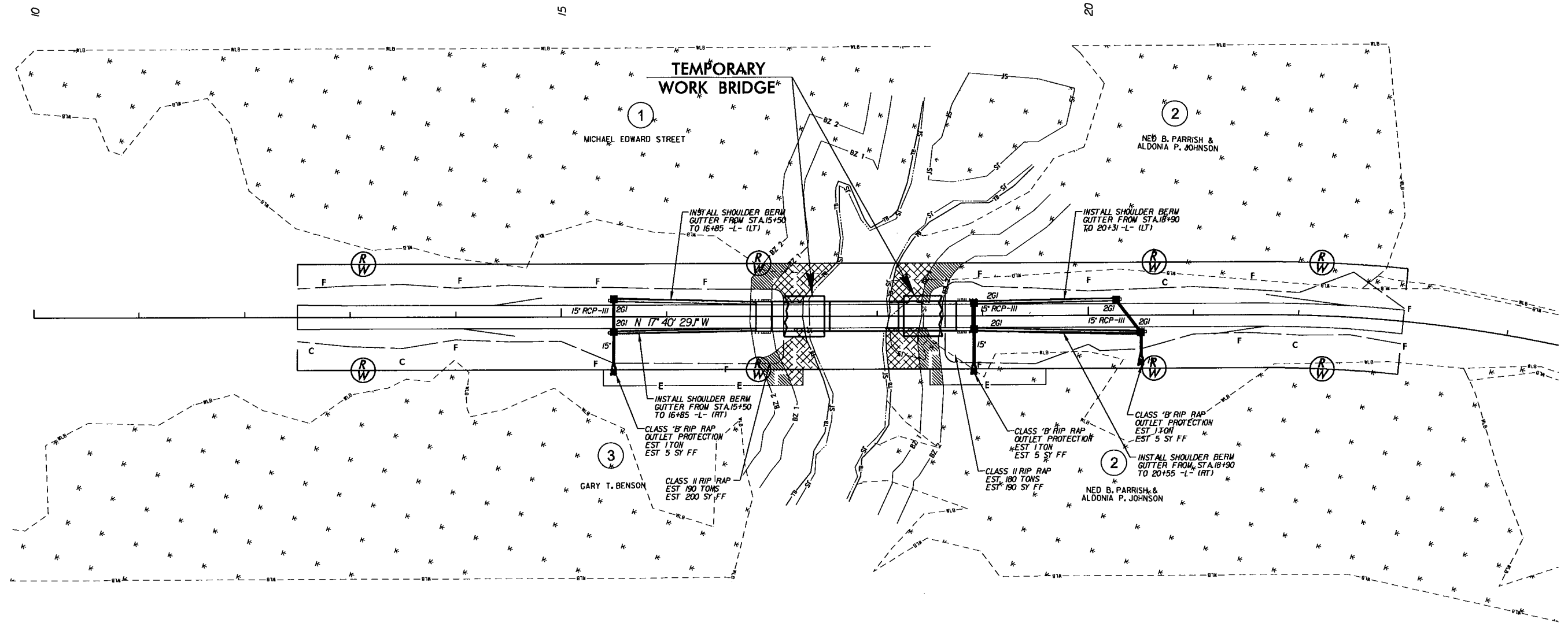
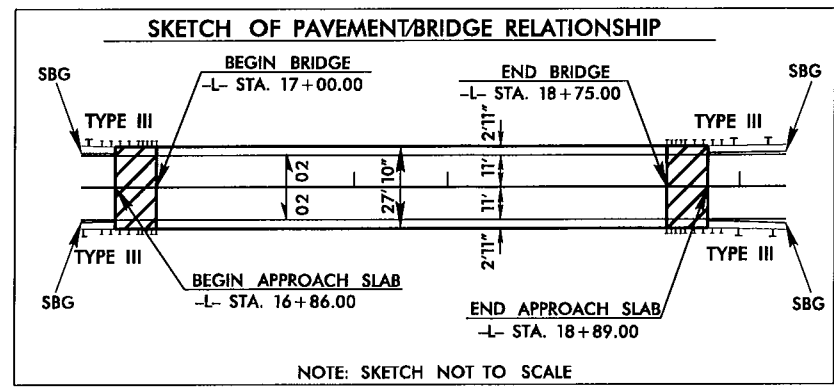


NOTES:
1) SEE SHEET 5 FOR -L- PROFILE
2) SEE SHEETS S? - S? FOR STRUCTURE PLANS

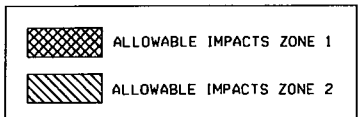
SYNTHETIC
SEALANT
REPAIR
SERVICES

PROJECT REFERENCE NO. B-4560	SHEET NO. 4
RW SHEET NO.	
ROADWAY DESIGN ENGINEER	HYDRAULICS ENGINEER
INCOMPLETE PLANS DO NOT USE FOR R/W ACQUISITION	
PRELIMINARY PLANS DO NOT USE FOR CONSTRUCTION	

Revised 6/6/2012
Buffer Permit Drawing
Sheet 4 of 9



N. C. DEPT. OF TRANSPORTATION
DIVISION OF HIGHWAYS
JOHNSTON COUNTY
PROJECT: 33771.11 (B-4560)
BRIDGE NO. 102 ON SR 1331
(FEDERAL RD) OVER
BLACK CREEK
DATE: 06/05/2012



NOTES:
1) SEE SHEET 5 FOR -L- PROFILE
2) SEE SHEETS S? - S? FOR STRUCTURE PLANS

5/14/99
SYNOPSIS
UNIVERSITY
OF NORTH
CAROLINA
AT RALEIGH

