

(+3.0000% (-2.1969%)  
 PI = 27+65.00  
 EL = 48.53'  
 VC = 790'

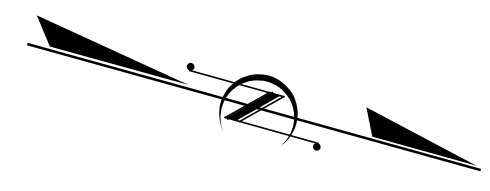
GRADE DATA -Y-NB-

(+0.3400%  
 PVT STA. 15+20.00  
 EL. 14.15  
 PVC STA. 16+39.50  
 EL. 14.56

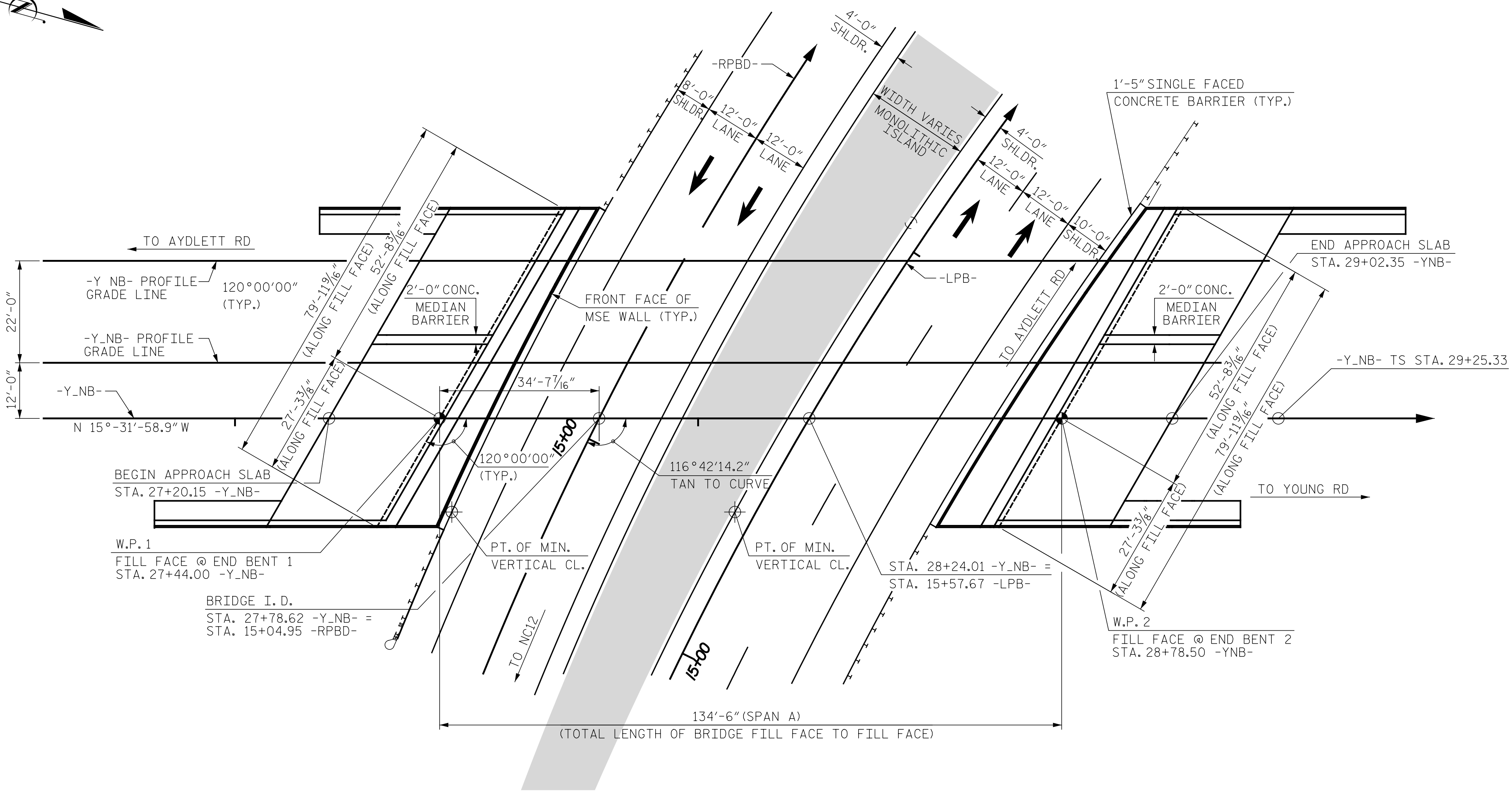
GRADE DATA -LPB-

(-1.6489% (+0.3000%)  
 PI = 14+00.00  
 EL = 16.30'  
 VC = 160'

GRADE DATA -RPBD-



SECTION ALONG -Y-NB-  
SECTION TAKEN AT RIGHT ANGLES TO END BENTS



HORIZONTAL CURVE DATA

-LPB-		-RPBD-	
PI STA	19+27.01	PI STA	18+15.08
Δ	87°08'31.7" (RT)	Δ	77°58'02.4" (RT)
D	7°32'20.1"	D	7°32'20.1"
L	1,155.90'	L	1,034.20'
T	723.01'	T	615.08'
R	760.00'	R	760.00'
SE	0.06	SE	0.08

PROJECT NO. R-2576  
 CURRITUCK & DARE COUNTY  
 STATION: 27+78.62 -Y-NB-  
15+04.95 -RPBD-  
 SHEET 1 OF 2 BRIDGE No. ??????

STATE OF NORTH CAROLINA  
 DEPARTMENT OF TRANSPORTATION  
 RALEIGH  
 PRELIMINARY  
 GENERAL DRAWING  
 BRIDGE QN -Y-NB-  
 OVER -RPBD- AND -LPB-  
 BETWEEN AYDLETT RD (SR 1140)  
 AND YOUNG RD (SR 1405)

REVISIONS				SHEET NO.	
NO.	BY:	DATE:	NO.	BY:	DATE:
1			3		
2			4		

TOTAL SHEETS: 2

5/11/2020 12:07:35 PM R-2576\_SD\_Interchange\_PGD01.dgn  
NEW.plt:cfp

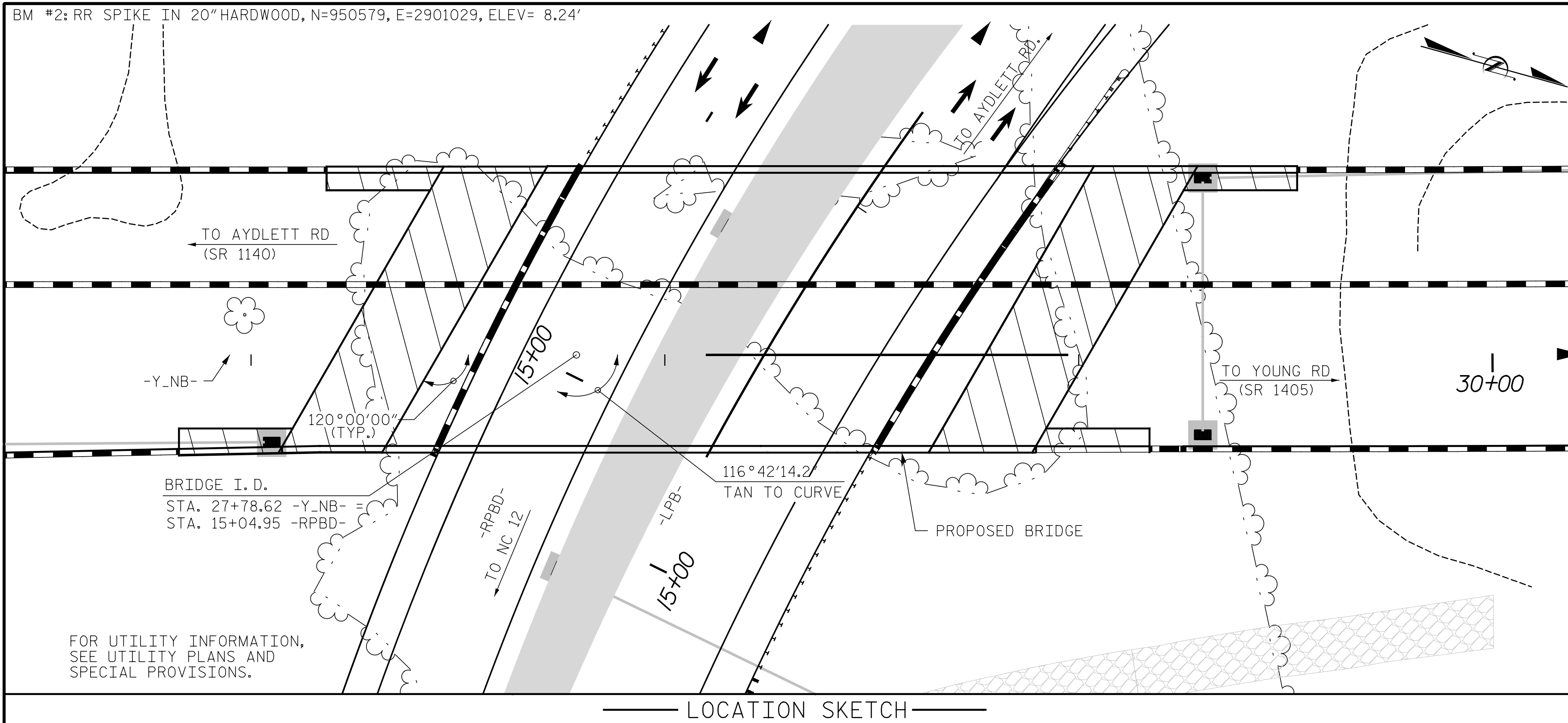
DRAWN BY : R. KNIGHT DATE : 12/2019  
 CHECKED BY : K. SMITH DATE : 04/2020

PLAN  
PILES NOT SHOWN FOR CLARITY  
END BENTS ARE PARALLEL



DOCUMENT NOT CONSIDERED FINAL  
UNLESS ALL SIGNATURES COMPLETED

BM #2: RR SPIKE IN 20" HARDWOOD, N=950579, E=2901029, ELEV= 8.24'



NOTES:

ASSUMED LIVE LOAD = HL-93 OR ALTERNATE LOADING.

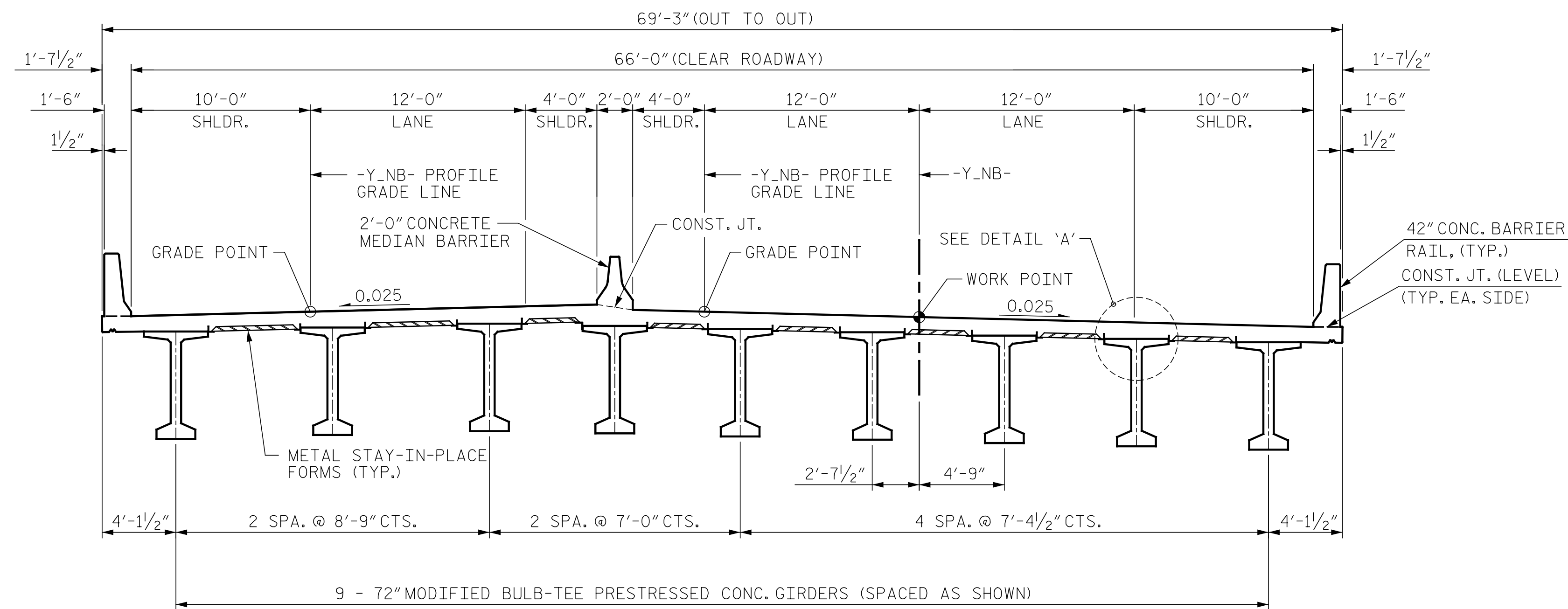
THIS BRIDGE HAS BEEN DESIGNED IN ACCORDANCE WITH THE REQUIREMENTS OF THE AASHTO LRFD BRIDGE DESIGN SPECIFICATIONS.

THIS BRIDGE IS LOCATED IN SEISMIC ZONE 1.

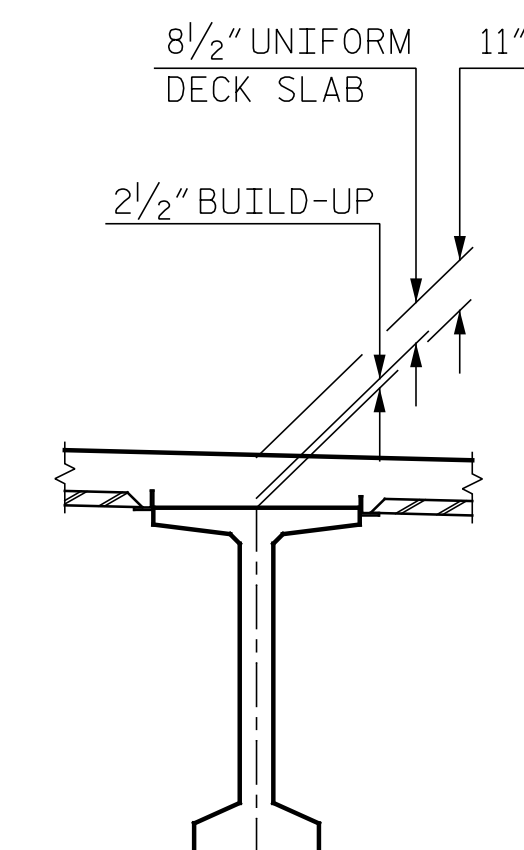
THIS STRUCTURE CONTAINS THE NECESSARY CORROSION PROTECTION REQUIRED FOR A CORROSIVE SITE.

FOR UTILITY INFORMATION, SEE UTILITY PLANS AND SPECIAL PROVISIONS.

LOCATION SKETCH



TYPICAL SECTION  
1 SPAN WITH COMPOSITE DECK ON 72" MODIFIED BULB-TEE GIRDERS



DETAIL 'A'

PROJECT NO. R-2576  
CURRITUCK & DARE COUNTY  
STATION: 27+78.62 -Y-NB-  
15+04.95 -RPBD-

SHEET 2 OF 2

STATE OF NORTH CAROLINA  
DEPARTMENT OF TRANSPORTATION  
RALEIGH  
PRELIMINARY  
GENERAL DRAWING  
BRIDGE ON -Y-NB-  
OVER -RPBD- AND -LPB-  
BETWEEN AYDLETT RD (SR 1140)  
AND YOUNG RD (SR 1405)

DOCUMENT NOT CONSIDERED FINAL  
UNLESS ALL SIGNATURES COMPLETED

REVISIONS				SHEET NO.	
NO.	BY:	DATE:	NO.	BY:	DATE:
1			3		
2			4		

TOTAL SHEETS: 2

DRAWN BY: R. KNIGHT DATE: 12/2019  
CHECKED BY: K. SMITH DATE: 04/2020

**LOCHNER**  
H. W. LOCHNER, INC.  
2840 PLAZA PLACE, SUITE 202  
RALEIGH, NC 27612  
NC License Number F-0129

5/11/2020 12:10:05 PM R-2576\_SD\_Interchange\_PGD02.dgn  
NEW.plt:cfp