

PROJECT NO. R-2576  
CURRITUCK & DARE COUNTY  
STATION: 61+67.00 -L-

SHEET 1 OF 13 BRIDGE No. ??????

STATE OF NORTH CAROLINA  
DEPARTMENT OF TRANSPORTATION  
RALEIGH  
PRELIMINARY  
GENERAL DRAWING  
BRIDGE OVER  
MAPLE SWAMP ON  
NEW ROUTE BETWEEN  
US 158 AND NC 12

REVISIONS				SHEET NO.	
NO.	BY:	DATE:	NO.	BY:	DATE:
1			3		
2			4		

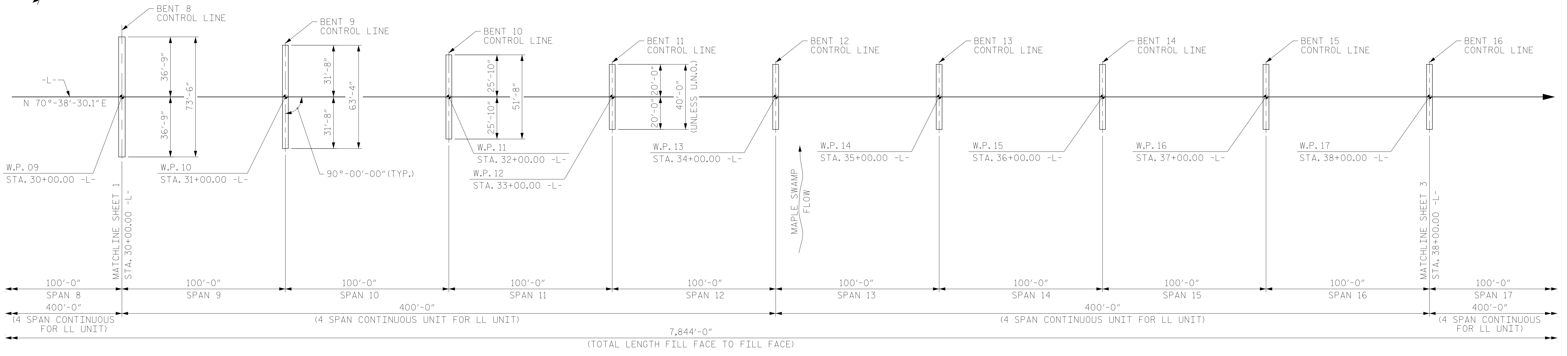
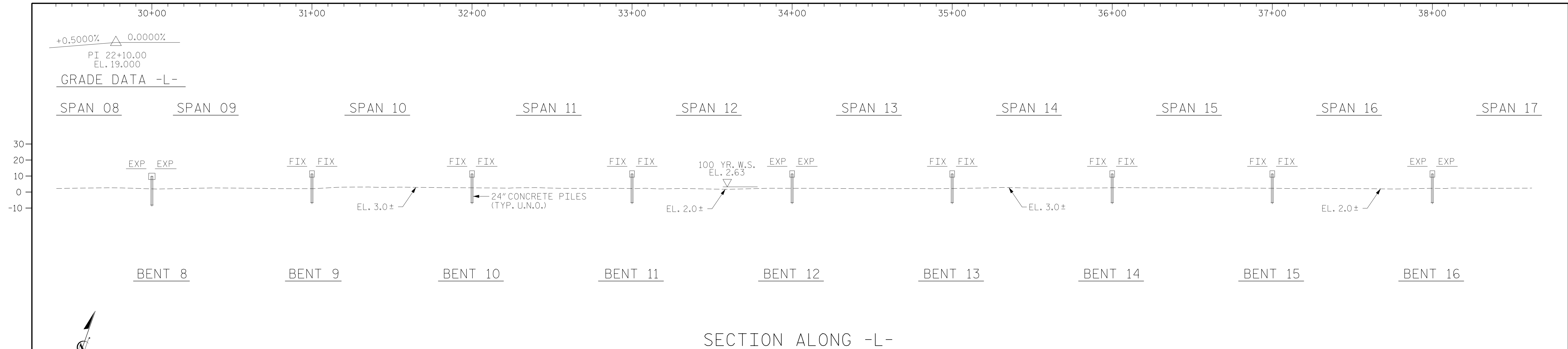
TOTAL SHEETS	13
--------------	----

DOCUMENT NOT CONSIDERED FINAL  
UNLESS ALL SIGNATURES COMPLETED



7/6/2020 4:18:29 PM R-2576\_SD\_Maple\_Swamp\_FGD01.dgn  
NCDOT\_Structures\_pdf.pltcfgr NCDOT\_Structures\_pdf.tbi

DRAWN BY: R. KNIGHT DATE: 11/2019  
CHECKED BY: K. SMITH DATE: 04/2020



PROJECT NO. R-2576  
 CURRITUCK & DARE COUNTY  
 STATION: 61+67.00 -L-

SHEET 2 OF 13

STATE OF NORTH CAROLINA  
 DEPARTMENT OF TRANSPORTATION  
 RALEIGH  
 PRELIMINARY  
 GENERAL DRAWING  
 BRIDGE OVER  
 MAPLE SWAMP ON  
 NEW ROUTE BETWEEN  
 US 158 AND NC 12

REVISIONS				SHEET NO.	
NO.	BY:	DATE:	NO.	BY:	DATE:
1			3		
2			4		

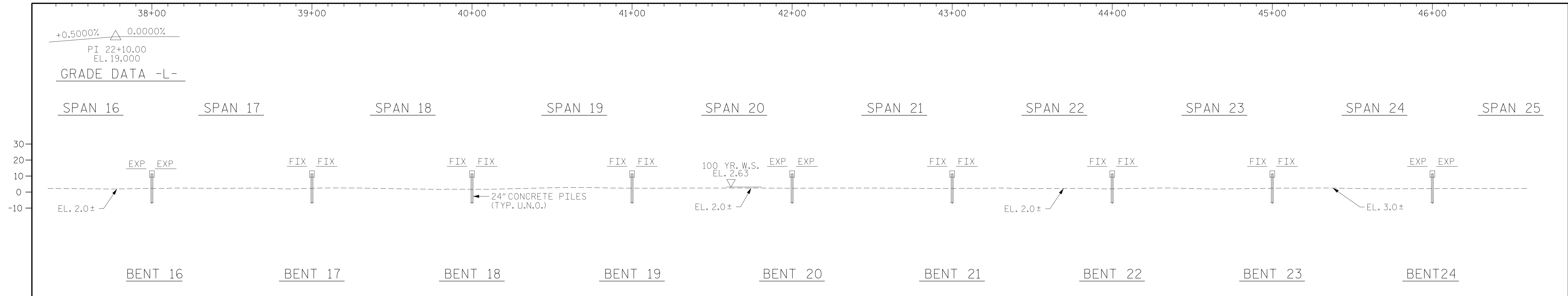
TOTAL SHEETS 13

DOCUMENT NOT CONSIDERED FINAL  
 UNLESS ALL SIGNATURES COMPLETED

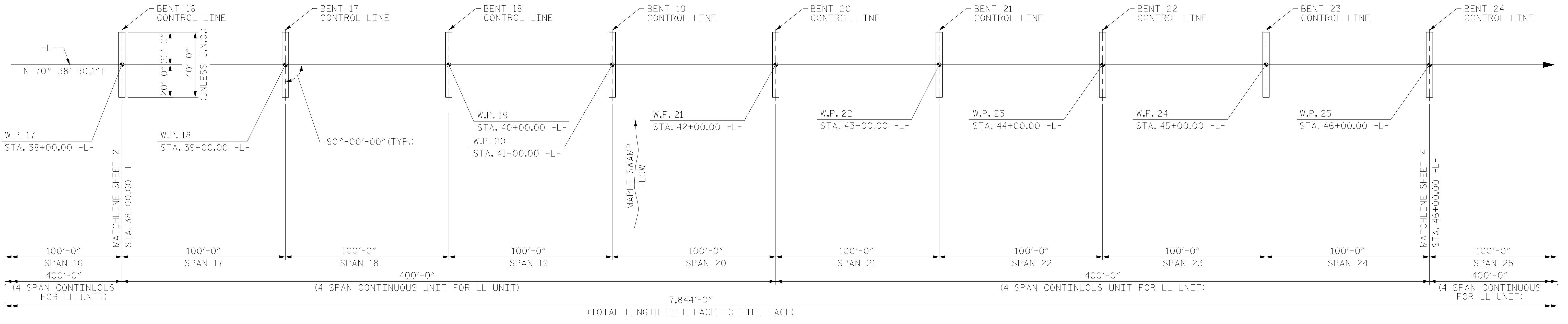
**LOCHNER**  
 H. W. LOCHNER, INC.  
 2840 PLAZA PLACE, SUITE 202  
 RALEIGH, NC 27612  
 (919) 571-7111  
 NC License Number F-0126

7/6/2020 4:20:23 PM R-2576\_SD\_Maple\_Swamp\_FGD02.dgn NCDOT\_Structures.pdf,ptcfig NCDOT\_Structures.pdf,tbl

DRAWN BY: R. KNIGHT DATE: 11/2019  
 CHECKED BY: K. SMITH DATE: 04/2020



SECTION ALONG -L-



PLAN

PILES NOT SHOWN FOR CLARITY

PROJECT NO. R-2576  
 CURRITUCK & DARE COUNTY  
 STATION: 61+67.00 -L-

SHEET 3 OF 13

STATE OF NORTH CAROLINA  
 DEPARTMENT OF TRANSPORTATION  
 RALEIGH  
 PRELIMINARY  
 GENERAL DRAWING  
 BRIDGE OVER  
 MAPLE SWAMP ON  
 NEW ROUTE BETWEEN  
 US 158 AND NC 12

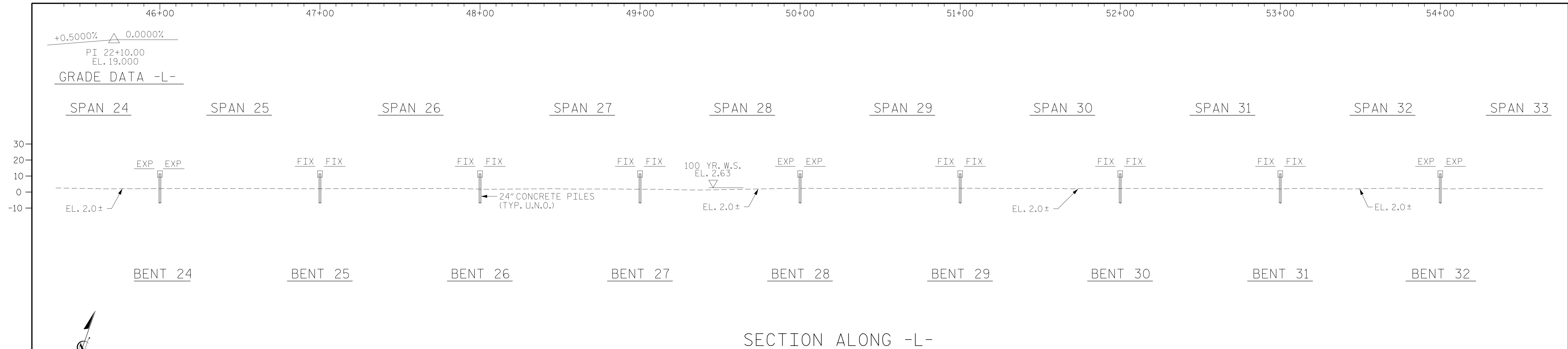
DOCUMENT NOT CONSIDERED FINAL  
 UNLESS ALL SIGNATURES COMPLETED

REVISIONS						SHEET NO.
NO.	BY:	DATE:	NO.	BY:	DATE:	S1-3
1			3			TOTAL SHEETS
2			4			13

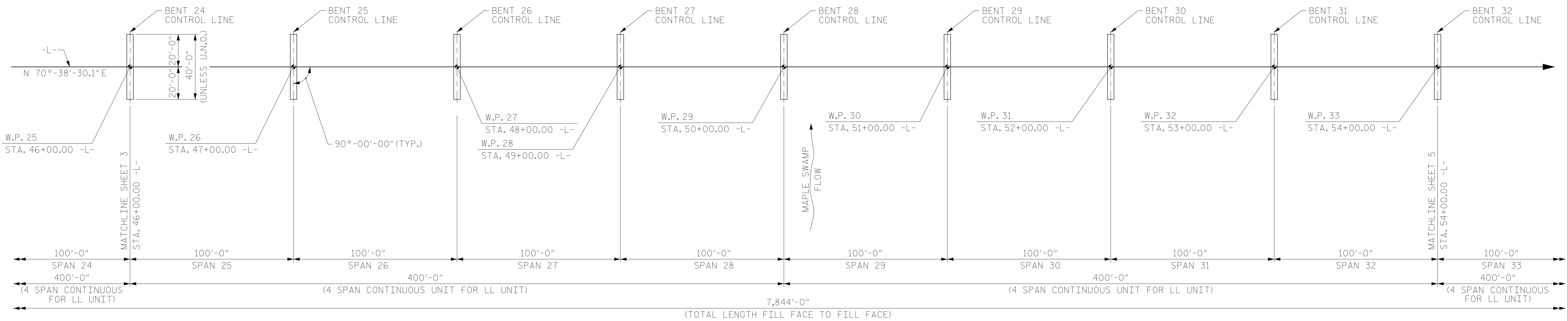
**LOCHNER**  
 H. W. LOCHNER, INC.  
 2840 PLAZA PLACE, SUITE 202  
 RALEIGH, NC 27612  
 (919) 571-7111  
 NC License Number F-0129

DRAWN BY: R. KNIGHT    DATE: 11/2019  
 CHECKED BY: K. SMITH    DATE: 04/2020

7/6/2020 4:21:31 PM R-2576\_SD\_Maple\_Swamp\_FGD03.dgn  
 NCDOT\_Structures\_pdf.pltcfgr NCDOT\_Structures\_pdf.tbl



SECTION ALONG -L-



PLAN

PILES NOT SHOWN FOR CLARITY

PROJECT NO. R-2576  
 CURRITUCK & DARE COUNTY  
 STATION: 61+67.00 -L-

SHEET 4 OF 13

STATE OF NORTH CAROLINA  
 DEPARTMENT OF TRANSPORTATION  
 RALEIGH  
 PRELIMINARY  
 GENERAL DRAWING  
 BRIDGE OVER  
 MAPLE SWAMP ON  
 NEW ROUTE BETWEEN  
 US 158 AND NC 12

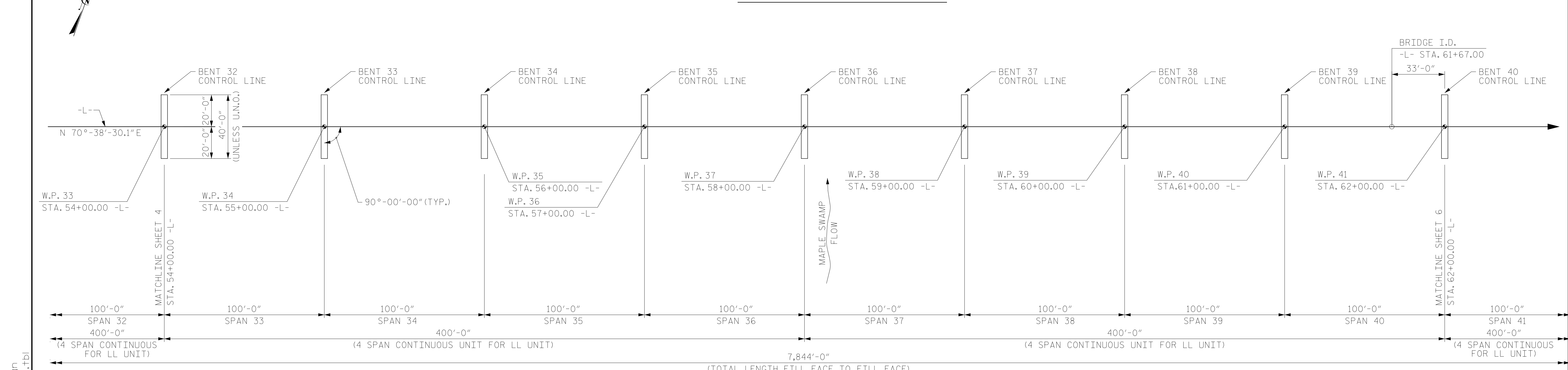
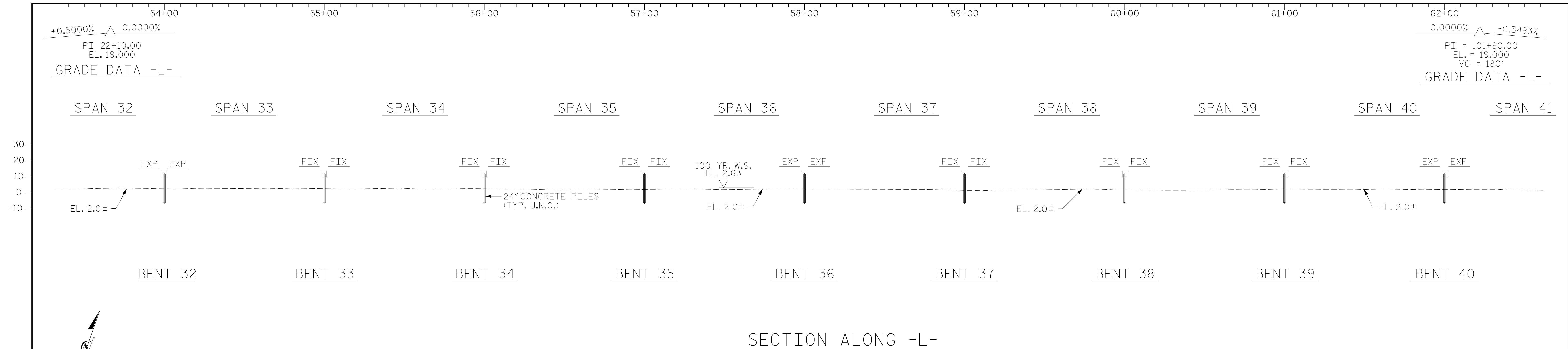
DOCUMENT NOT CONSIDERED FINAL  
 UNLESS ALL SIGNATURES COMPLETED

REVISIONS						SHEET NO. S1-4 TOTAL SHEETS 13
NO.	BY:	DATE:	NO.	BY:	DATE:	
1			3			
2			4			

DRAWN BY: R. KNIGHT DATE: 11/2019  
 CHECKED BY: K. SMITH DATE: 04/2020



7/6/2020 4:22:49 PM R-2576\_SD\_Maple\_Swamp\_FGD04.dgn NCDOT\_Structures.pdf,ptcfig NCDOT\_Structures.pdf.tbl



PLAN  
 PILES NOT SHOWN FOR CLARITY

PROJECT NO. R-2576  
 CURRITUCK & DARE COUNTY  
 STATION: 61+67.00 -L-

SHEET 5 OF 13

STATE OF NORTH CAROLINA  
 DEPARTMENT OF TRANSPORTATION  
 RALEIGH

PRELIMINARY  
 GENERAL DRAWING  
 BRIDGE OVER  
 MAPLE SWAMP ON  
 NEW ROUTE BETWEEN  
 US 158 AND NC 12

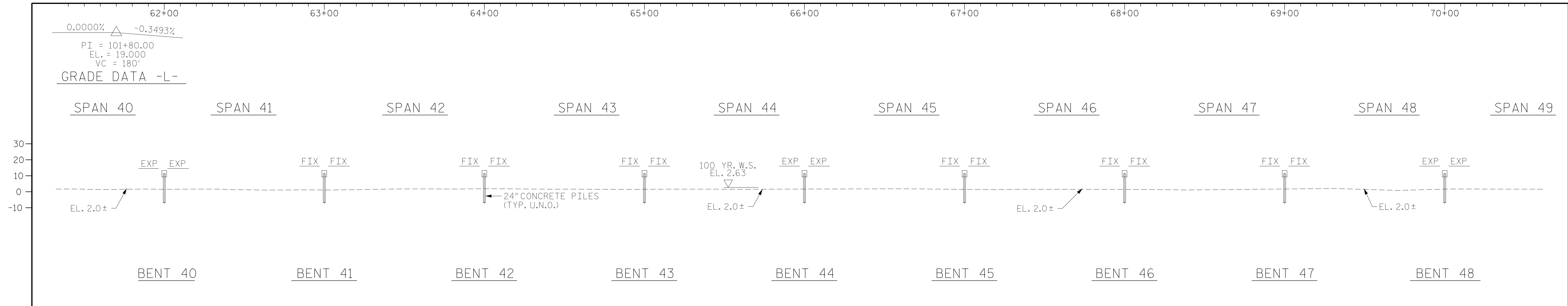
REVISIONS						SHEET NO.
NO.	BY:	DATE:	NO.	BY:	DATE:	S1-5
1			3			TOTAL SHEETS
2			4			13

DOCUMENT NOT CONSIDERED FINAL  
 UNLESS ALL SIGNATURES COMPLETED

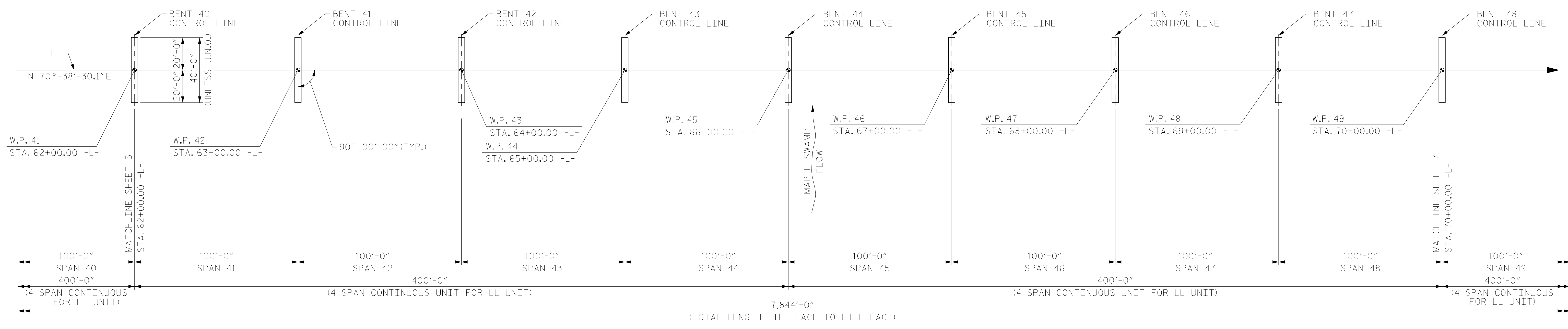
**LOCHNER**  
 H. W. LOCHNER, INC.  
 2840 PLAZA PLACE, SUITE 202  
 RALEIGH, NC 27612  
 (919) 571-7111  
 NC License Number F-0126

7/6/2020 4:24:05 PM R-2576\_SD\_Maple\_Swamp\_FGD05.dgn  
 NCDOT\_Structures.pdf.pltcfgr NCDOT\_Structures.pdf.tbi

DRAWN BY: R. KNIGHT DATE: 11/2019  
 CHECKED BY: K. SMITH DATE: 04/2020



SECTION ALONG -L-



PLAN

PILES NOT SHOWN FOR CLARITY

PROJECT NO. R-2576  
 CURRITUCK & DARE COUNTY  
 STATION: 61+67.00 -L-

SHEET 6 OF 13

STATE OF NORTH CAROLINA  
 DEPARTMENT OF TRANSPORTATION  
 RALEIGH  
 PRELIMINARY  
 GENERAL DRAWING  
 BRIDGE OVER  
 MAPLE SWAMP ON  
 NEW ROUTE BETWEEN  
 US 158 AND NC 12

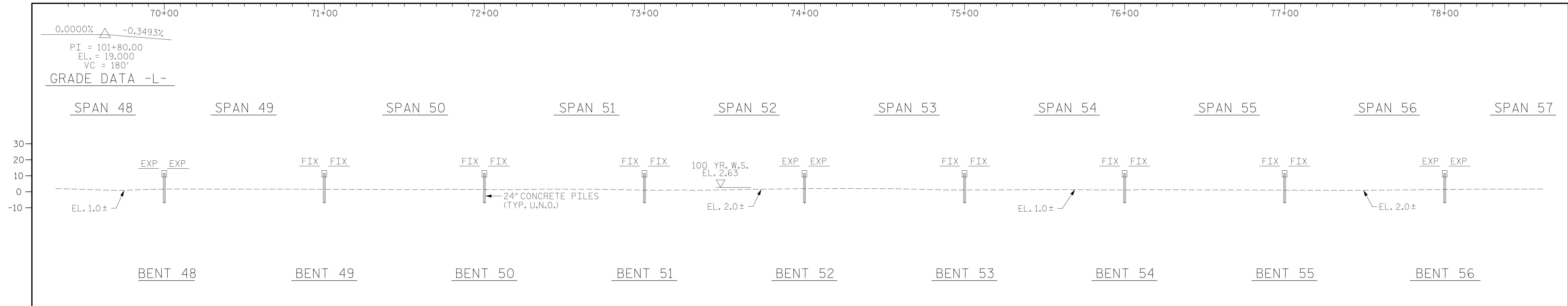
DOCUMENT NOT CONSIDERED FINAL  
 UNLESS ALL SIGNATURES COMPLETED

REVISIONS						SHEET NO. S1-6 TOTAL SHEETS 13
NO.	BY:	DATE:	NO.	BY:	DATE:	
1			3			
2			4			

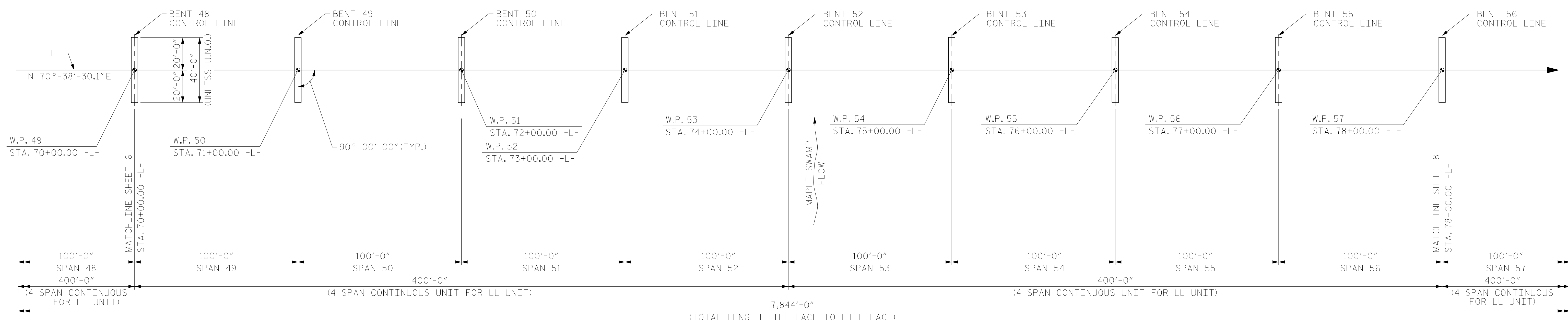
DRAWN BY: R. KNIGHT DATE: 11/2019  
 CHECKED BY: K. SMITH DATE: 04/2020

**LOCHNER**  
 H. W. LOCHNER, INC.  
 2840 PLAZA PLACE, SUITE 202  
 RALEIGH, NC 27612  
 (919) 571-7111  
 NC License Number F-0126

7/6/2020 4:25:16 PM R-2576\_SD\_Maple\_Swamp\_FGD06.dgn NCDOT\_Structures.pdf,ptcfig NCDOT\_Structures.pdf,tbl



SECTION ALONG -L-



PLAN

PILES NOT SHOWN FOR CLARITY

PROJECT NO. R-2576  
 CURRITUCK & DARE COUNTY  
 STATION: 61+67.00 -L-

SHEET 7 OF 13

STATE OF NORTH CAROLINA  
 DEPARTMENT OF TRANSPORTATION  
 RALEIGH  
 PRELIMINARY  
 GENERAL DRAWING  
 BRIDGE OVER  
 MAPLE SWAMP ON  
 NEW ROUTE BETWEEN  
 US 158 AND NC 12

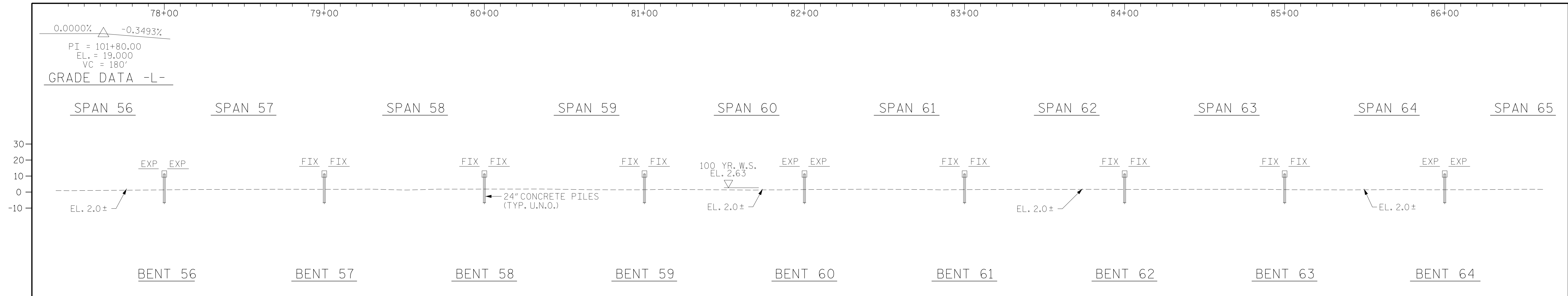
DOCUMENT NOT CONSIDERED FINAL  
 UNLESS ALL SIGNATURES COMPLETED

REVISIONS						SHEET NO.	
NO.	BY:	DATE:	NO.	BY:	DATE:	S1-7	
1			3			TOTAL SHEETS	
2			4			13	

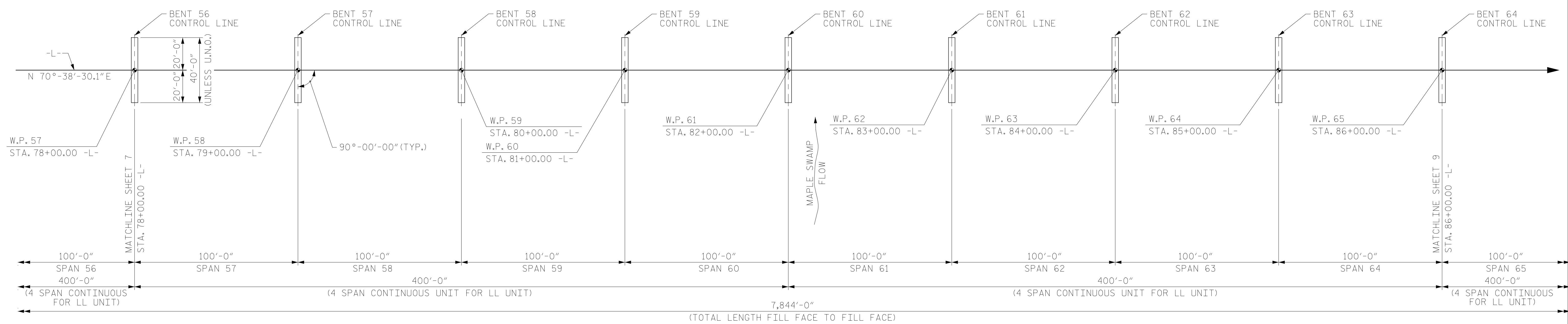
DRAWN BY: R. KNIGHT DATE: 11/2019  
 CHECKED BY: K. SMITH DATE: 04/2020

**LOCHNER**  
 H. W. LOCHNER, INC.  
 2840 PLAZA PLACE, SUITE 202  
 RALEIGH, NC 27612  
 (919) 571-7111  
 NC License Number F-0126

7/6/2020 4:26:17 PM R-2576\_SD\_Maple\_Swamp\_FGD07.dgn NCDOT\_Structures\_pdf.pltcfgr NCDOT\_Structures.pdf.tbl



SECTION ALONG -L-



PLAN

PILES NOT SHOWN FOR CLARITY

PROJECT NO. R-2576

CURRITUCK & DARE COUNTY

STATION: 61+67.00 -L-

SHEET 8 OF 13

STATE OF NORTH CAROLINA  
DEPARTMENT OF TRANSPORTATION  
RALEIGH

PRELIMINARY  
GENERAL DRAWING  
BRIDGE OVER  
MAPLE SWAMP ON  
NEW ROUTE BETWEEN  
US 158 AND NC 12

DOCUMENT NOT CONSIDERED FINAL  
UNLESS ALL SIGNATURES COMPLETED

REVISIONS						SHEET NO. S1-8
NO.	BY:	DATE:	NO.	BY:	DATE:	
1			3			TOTAL SHEETS 13
2			4			

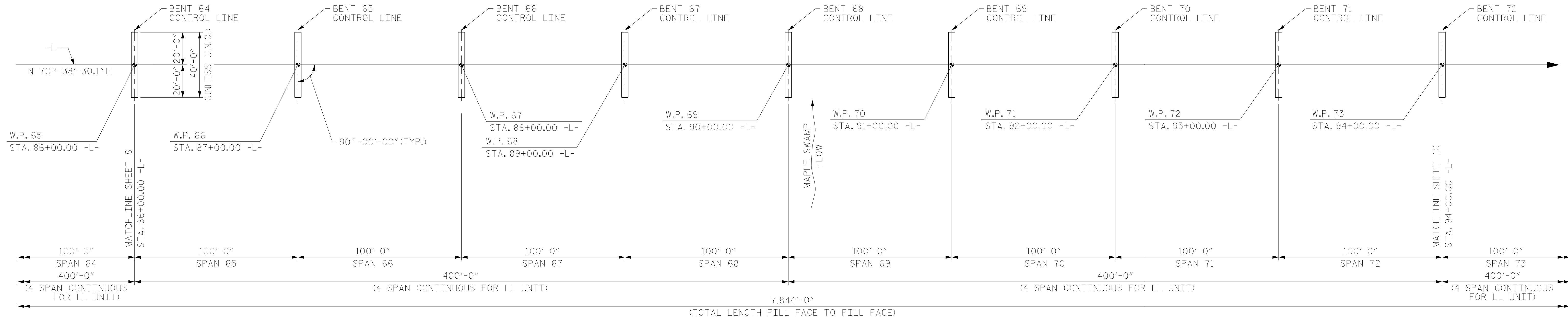
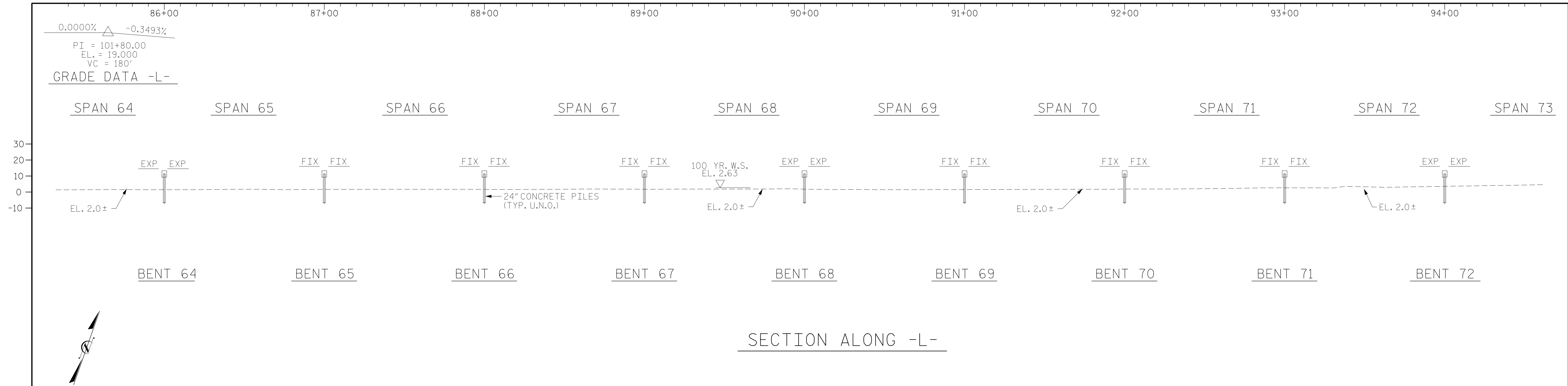
DRAWN BY: R. KNIGHT DATE: 11/2019

CHECKED BY: K. SMITH DATE: 04/2020

**LOCHNER**  
H. W. LOCHNER, INC.  
2840 PLAZA PLACE, SUITE 202  
RALEIGH, NC 27612  
(919) 571-7111  
NC License Number F-0126

7/6/2020 4:27:26 PM R-2576\_SD\_Maple\_Swamp\_FGD08.dgn NCDOT\_Structures.pdf,ptcfig NCDOT\_Structures.pdf,tbl





PLAN

PILES NOT SHOWN FOR CLARITY

PROJECT NO. R-2576  
 CURRITUCK & DARE COUNTY  
 STATION: 61+67.00 -L-

SHEET 9 OF 13

STATE OF NORTH CAROLINA  
 DEPARTMENT OF TRANSPORTATION  
 RALEIGH  
 PRELIMINARY  
 GENERAL DRAWING  
 BRIDGE OVER  
 MAPLE SWAMP ON  
 NEW ROUTE BETWEEN  
 US 158 AND NC 12

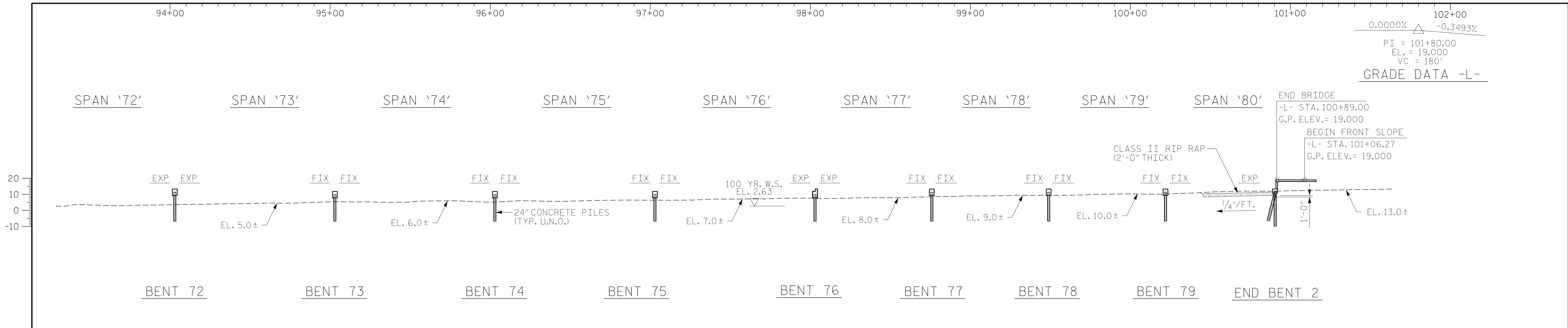
DOCUMENT NOT CONSIDERED FINAL  
 UNLESS ALL SIGNATURES COMPLETED

REVISIONS						SHEET NO.
NO.	BY:	DATE:	NO.	BY:	DATE:	S1-9
1			3			TOTAL SHEETS
2			4			13

DRAWN BY: R. KNIGHT DATE: 11/2019  
 CHECKED BY: K. SMITH DATE: 04/2020

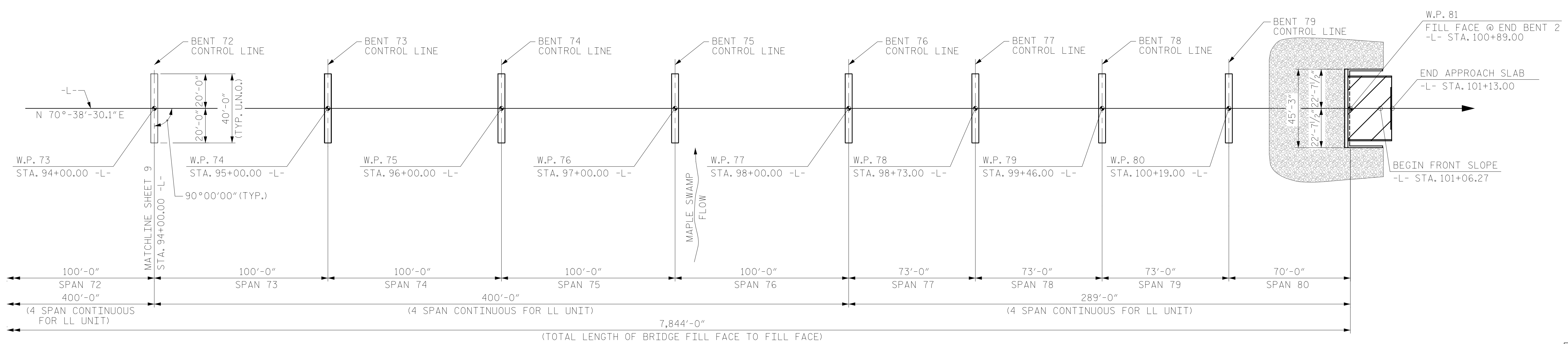
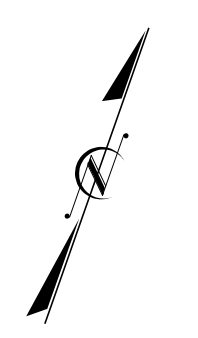
**LOCHNER**  
 H. W. LOCHNER, INC.  
 2840 PLAZA PLACE, SUITE 202  
 RALEIGH, NC 27612  
 (919) 571-7111  
 NC License Number F-0126

7/6/2020 4:28:32 PM R-2576\_SD\_Maple\_Swamp\_FGD09.dgn NCDOT\_Structures.pdf,ptcfig NCDOT\_Structures.pdf.tbl



SECTION ALONG -L-

0.0000%  $\Delta$  -0.3493%  
 PI = 101+80.00  
 EL. = 19.000  
 VC = 180'  
 GRADE DATA -L-



PLAN

PILES NOT SHOWN FOR CLARITY

PROJECT NO. R-2576  
 CURRITUCK & DARE COUNTY  
 STATION: 61+67.00 -L-

SHEET 10 OF 13

STATE OF NORTH CAROLINA  
 DEPARTMENT OF TRANSPORTATION  
 RALEIGH  
 PRELIMINARY  
 GENERAL DRAWING  
 BRIDGE OVER  
 MAPLE SWAMP ON  
 NEW ROUTE BETWEEN  
 US 158 AND NC 12

REVISIONS						SHEET NO. S1-10
NO.	BY:	DATE:	NO.	BY:	DATE:	
1			3			TOTAL SHEETS 13
2			4			

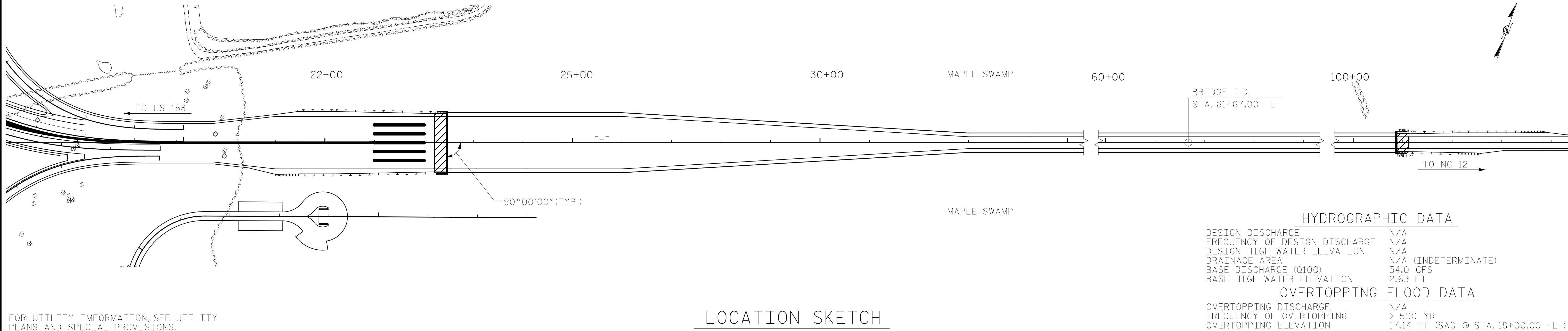
DOCUMENT NOT CONSIDERED FINAL  
 UNLESS ALL SIGNATURES COMPLETED

**LOCHNER**  
 H. W. LOCHNER, INC.  
 2840 PLAZA PLACE, SUITE 202  
 RALEIGH, NC 27612  
 (919) 571-7111  
 NC License  
 Number F-0129

7/6/2020 4:29:32 PM R-2576\_SD\_Maple\_Swamp\_FGD10.dgn  
 NCDOT\_Structures\_pdf.pltcfgr NCDOT\_Structures.pdf.tbi

DRAWN BY: R. KNIGHT DATE: 11/2019  
 CHECKED BY: K. SMITH DATE: 04/2020

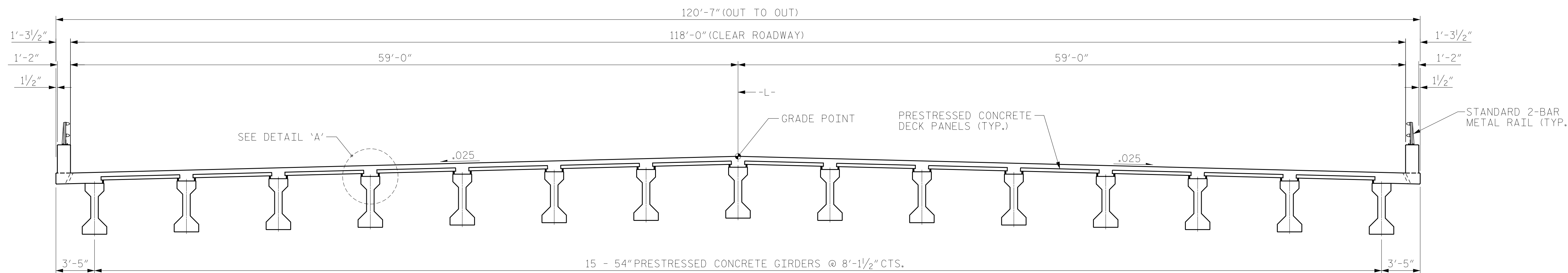
BM4: RR SPIKE IN PP 121' RT OF STA. 29+41 -L-, EL. 5.03, N 951261 E 2902922



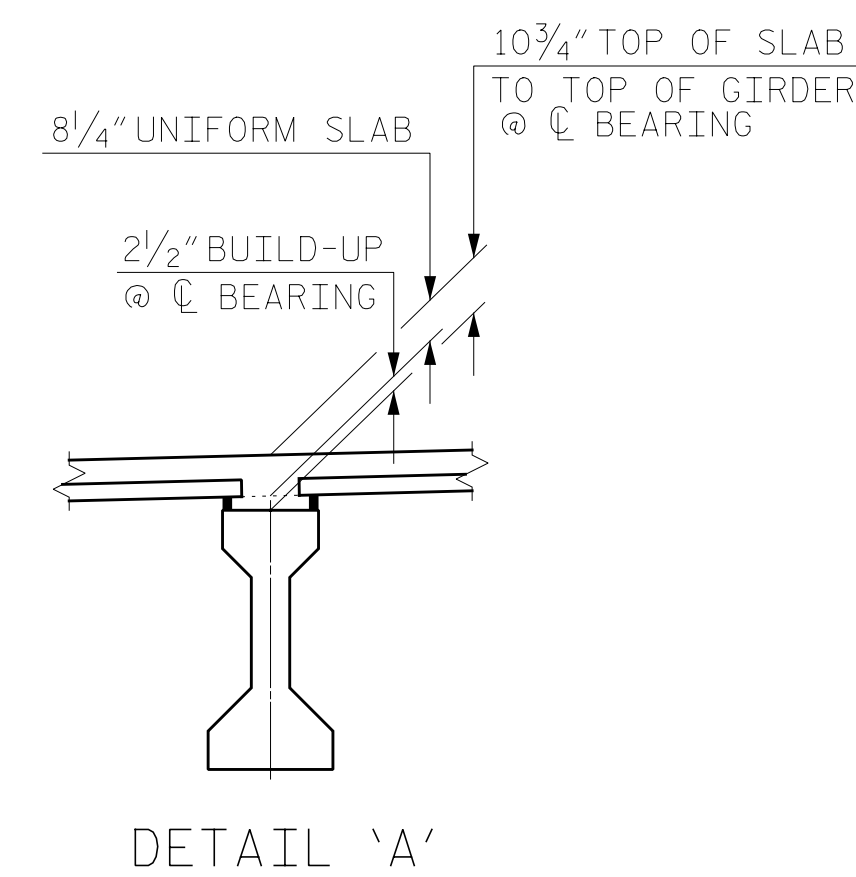
HYDROGRAPHIC DATA	
DESIGN DISCHARGE	N/A
FREQUENCY OF DESIGN DISCHARGE	N/A
DESIGN HIGH WATER ELEVATION	N/A
DRAINAGE AREA	N/A (INDETERMINATE)
BASE DISCHARGE (Q100)	34.0 CFS
BASE HIGH WATER ELEVATION	2.63 FT
OVERTOPPING FLOOD DATA	
OVERTOPPING DISCHARGE	N/A
FREQUENCY OF OVERTOPPING	> 500 YR
OVERTOPPING ELEVATION	17.14 FT (SAG @ STA. 18+00.00 -L-)

FOR UTILITY INFORMATION, SEE UTILITY PLANS AND SPECIAL PROVISIONS.

LOCATION SKETCH



TYPICAL SECTION - SPAN 01 THRU SPAN 04  
SPANS ARE CONTINUOUS FOR LIVE LOAD WITH COMPOSITE DECK



NOTES:

- ASSUMED LIVE LOAD = HL-93 OR ALTERNATE LOADING.
- THIS BRIDGE HAS BEEN DESIGNED IN ACCORDANCE WITH THE REQUIREMENTS OF THE AASHTO LRFD BRIDGE DESIGN SPECIFICATIONS.
- THIS BRIDGE IS LOCATED IN SEISMIC ZONE 1.
- THIS STRUCTURE CONTAINS THE NECESSARY CORROSION PROTECTION REQUIRED FOR A CORROSIVE SITE.
- 6" Ø DECK DRAINS ARE REQUIRED AT 12'-0" MAX. CENTERS ALONG BOTH SIDES OF BRIDGE.

DRAWN BY : R. KNIGHT DATE : 11/2019  
CHECKED BY : K. SMITH DATE : 04/2020

PROJECT NO. R-2576  
CURRITUCK & DARE COUNTY  
STATION: 61+67.00 -L-

SHEET 11 OF 13

STATE OF NORTH CAROLINA  
DEPARTMENT OF TRANSPORTATION  
RALEIGH  
PRELIMINARY  
GENERAL DRAWING  
BRIDGE OVER  
MAPLE SWAMP ON  
NEW ROUTE BETWEEN  
US 158 AND NC 12

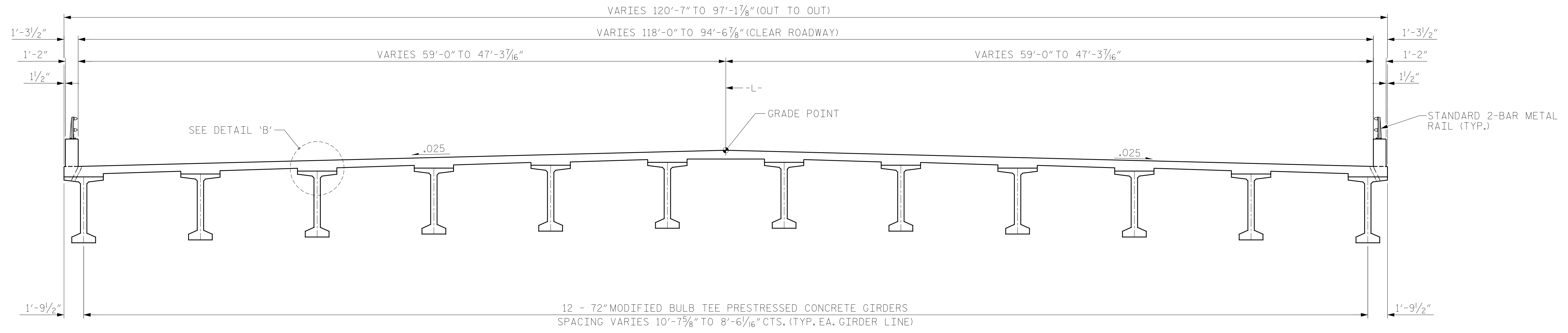
REVISIONS				SHEET NO.	
NO.	BY:	DATE:	NO.	BY:	DATE:
1			3		
2			4		

TOTAL SHEETS	13
--------------	----

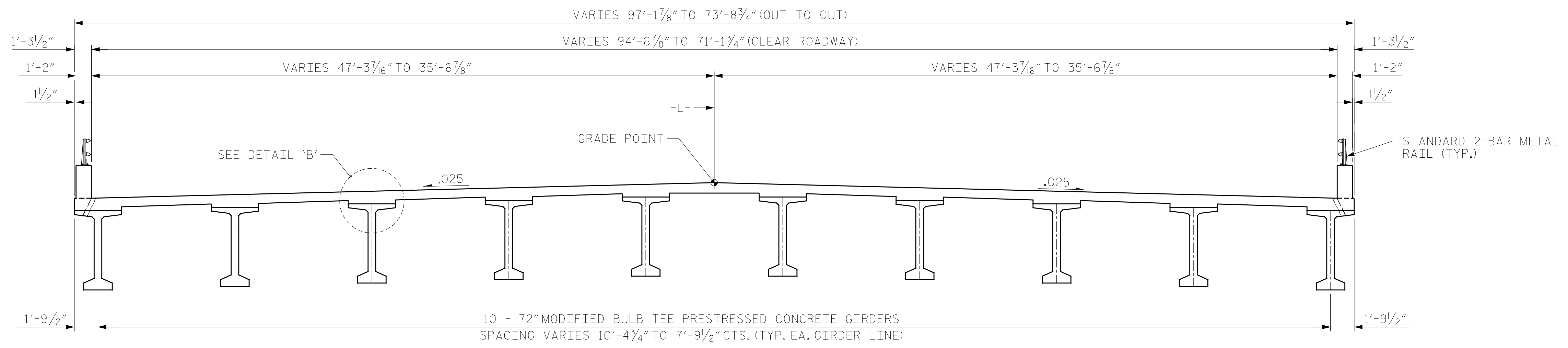
DOCUMENT NOT CONSIDERED FINAL  
UNLESS ALL SIGNATURES COMPLETED

**LOCHNER**  
H. W. LOCHNER, INC.  
2840 PLAZA PLACE, SUITE 202  
RALEIGH, NC 27612  
(919) 571-7111  
NC License Number F-0129

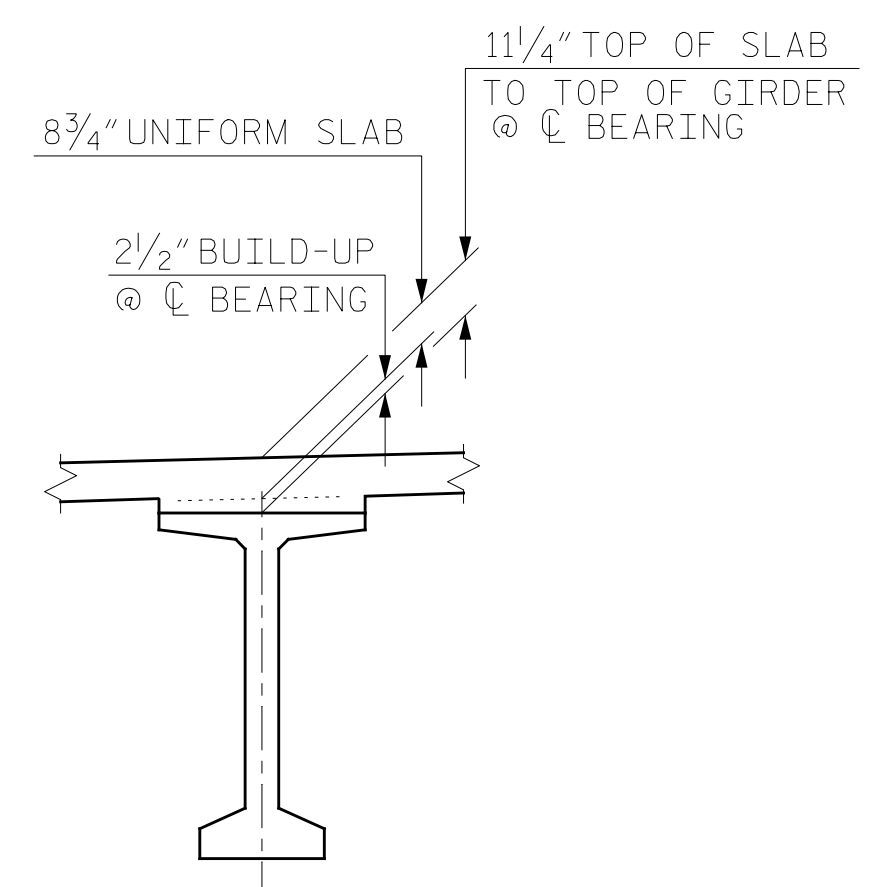
7/6/2020 4:30:56 PM R-2576\_SD\_Maple\_Swamp\_FGD11.dgn NCDOT\_Structures.pdf.pltcfgr NCDOT\_Structures.pdf.tbi



TYPICAL SECTION - SPAN 05 & SPAN 06  
SPANS ARE CONTINUOUS FOR LIVE LOAD WITH COMPOSITE DECK



TYPICAL SECTION - SPAN 07 & SPAN 08  
SPANS ARE CONTINUOUS FOR LIVE LOAD WITH COMPOSITE DECK



DETAIL 'B'

PROJECT NO. R-2576  
CURRITUCK & DARE COUNTY  
STATION: 61+67.00 -L-

SHEET 12 OF 13

STATE OF NORTH CAROLINA  
DEPARTMENT OF TRANSPORTATION  
RALEIGH  
PRELIMINARY  
GENERAL DRAWING  
BRIDGE OVER  
MAPLE SWAMP ON  
NEW ROUTE BETWEEN  
US 158 AND NC 12

REVISIONS				SHEET NO.	
NO.	BY:	DATE:	NO.	BY:	DATE:
1			3		
2			4		

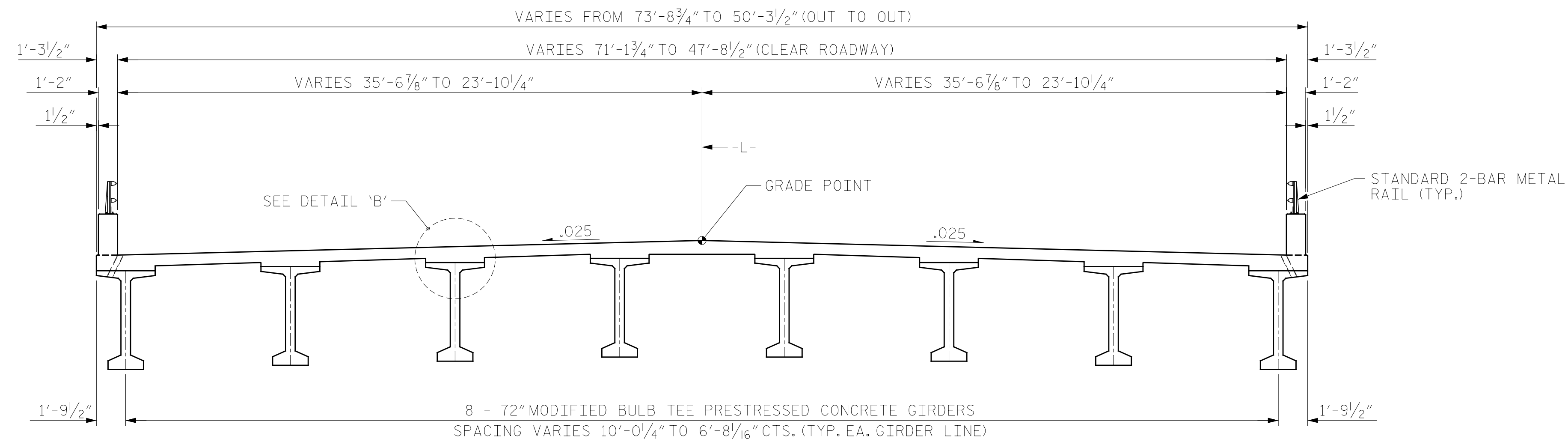
SHEET NO.	S1-12
TOTAL SHEETS	13

DOCUMENT NOT CONSIDERED FINAL  
UNLESS ALL SIGNATURES COMPLETED

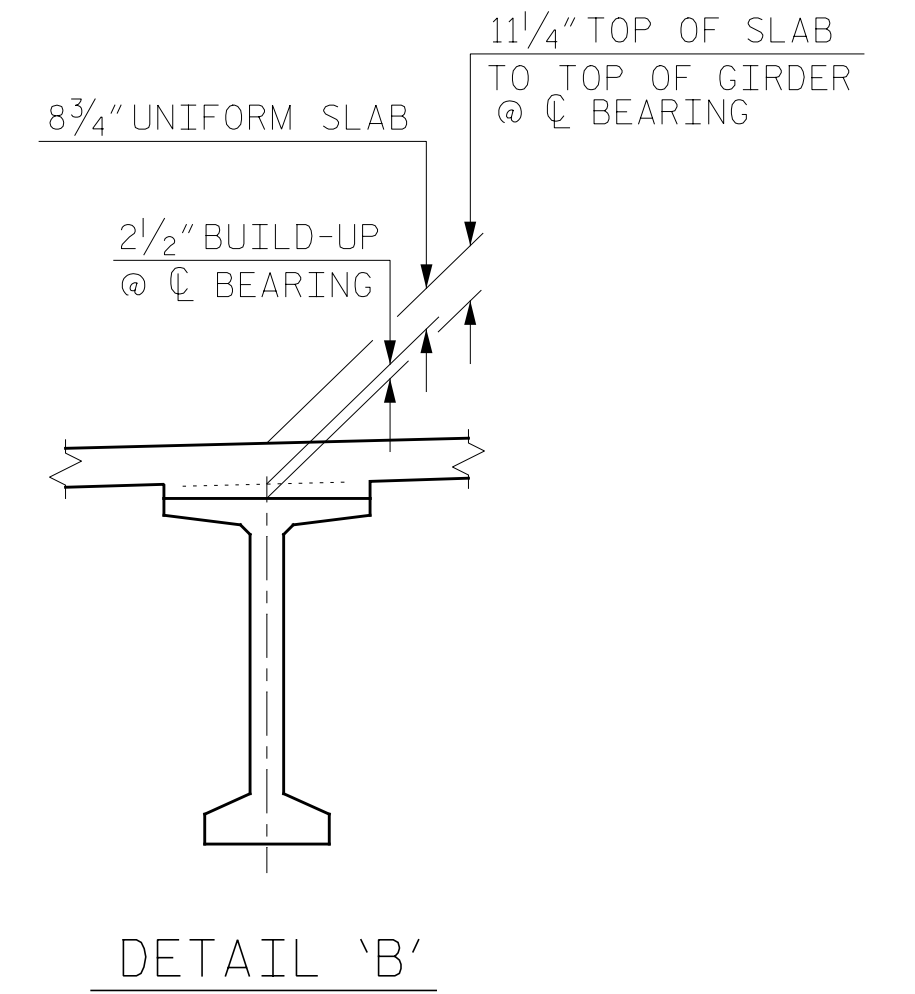
**LOCHNER**  
H. W. LOCHNER, INC.  
2840 PLAZA PLACE, SUITE 202  
RALEIGH, NC 27612  
(919) 271-7111  
NC License Number F-0129

7/2/2020 4:25:04 PM R-2576\_SD\_Maple\_Swamp\_FGD12.dgn NCDOT\_Structures.pdf.pltcfgr NCDOT\_Structures.pdf.tbi

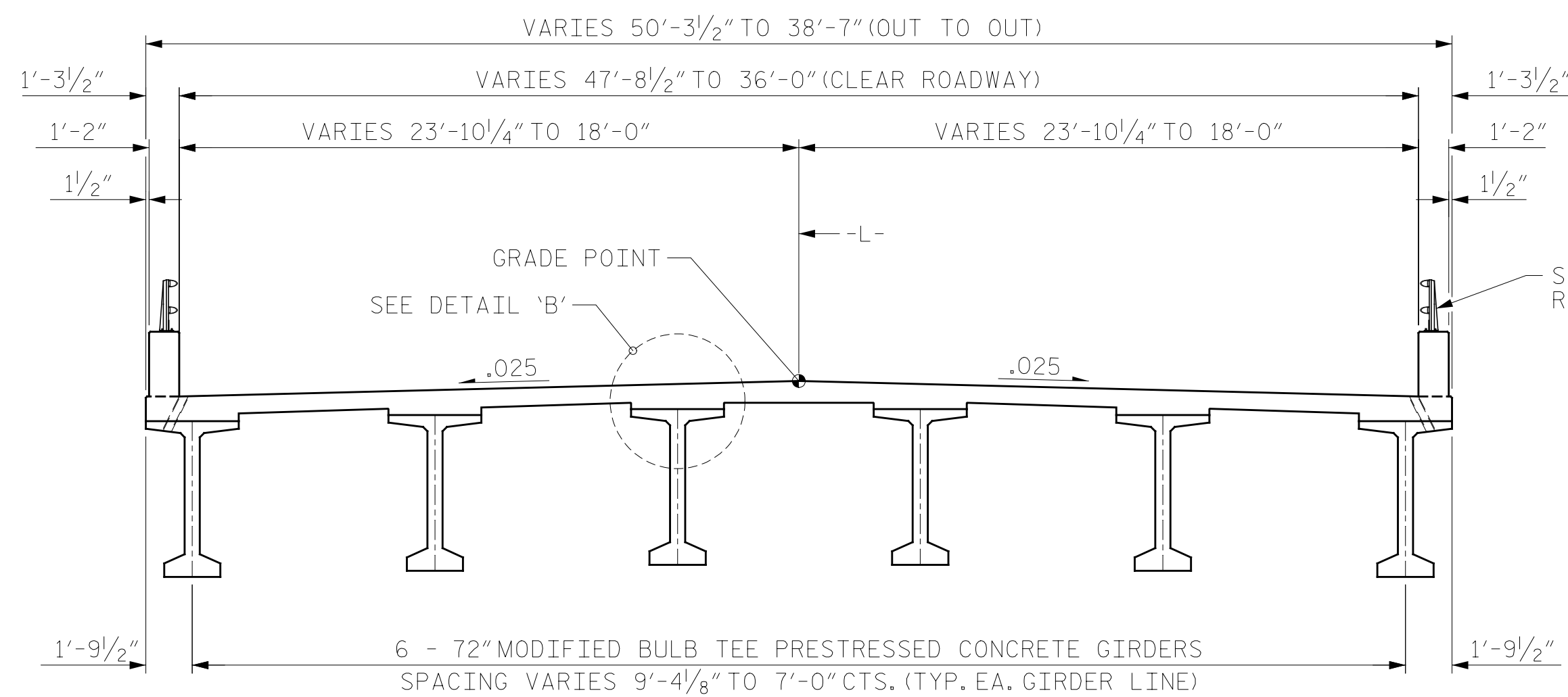
DRAWN BY : R. KNIGHT DATE : 11/2019  
CHECKED BY : K. SMITH DATE : 04/2020



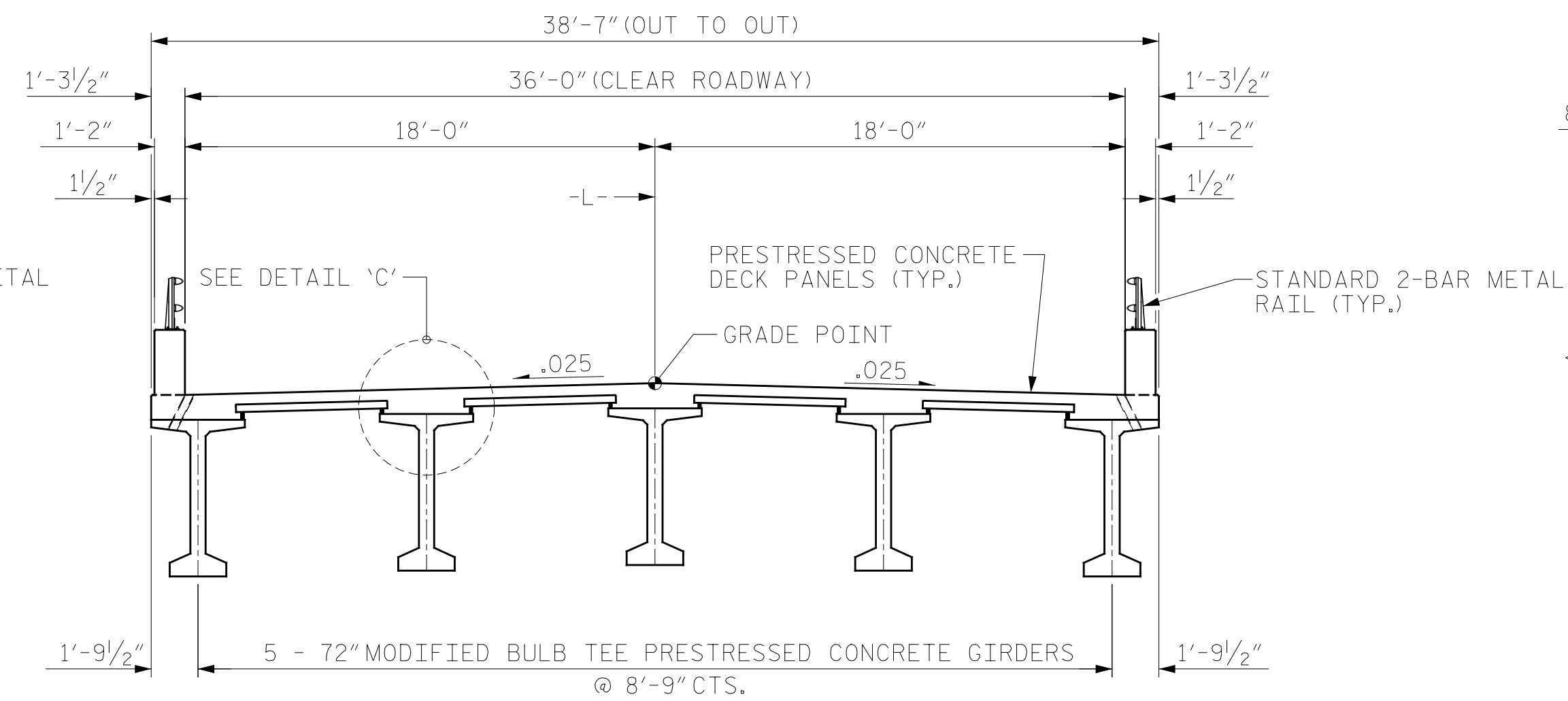
TYPICAL SECTION - SPAN 09 & SPAN 10  
SPANS ARE CONTINUOUS FOR LIVE LOAD WITH COMPOSITE DECK



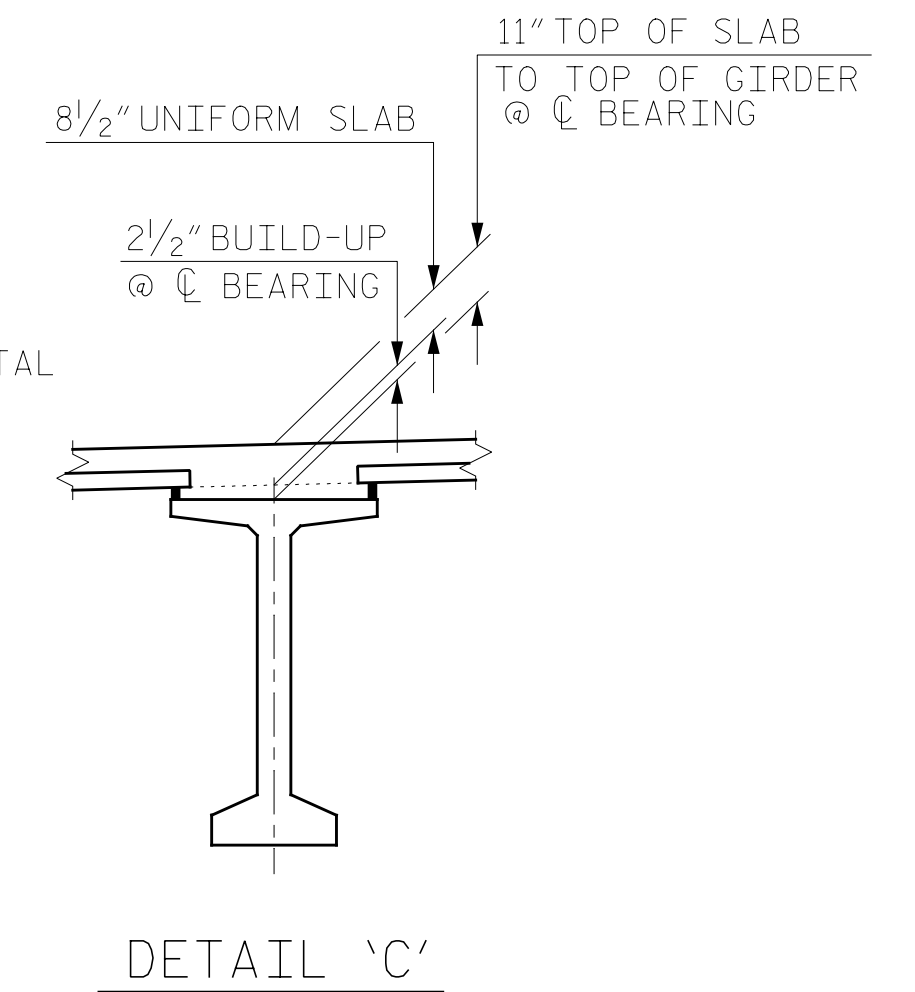
DETAIL 'B'



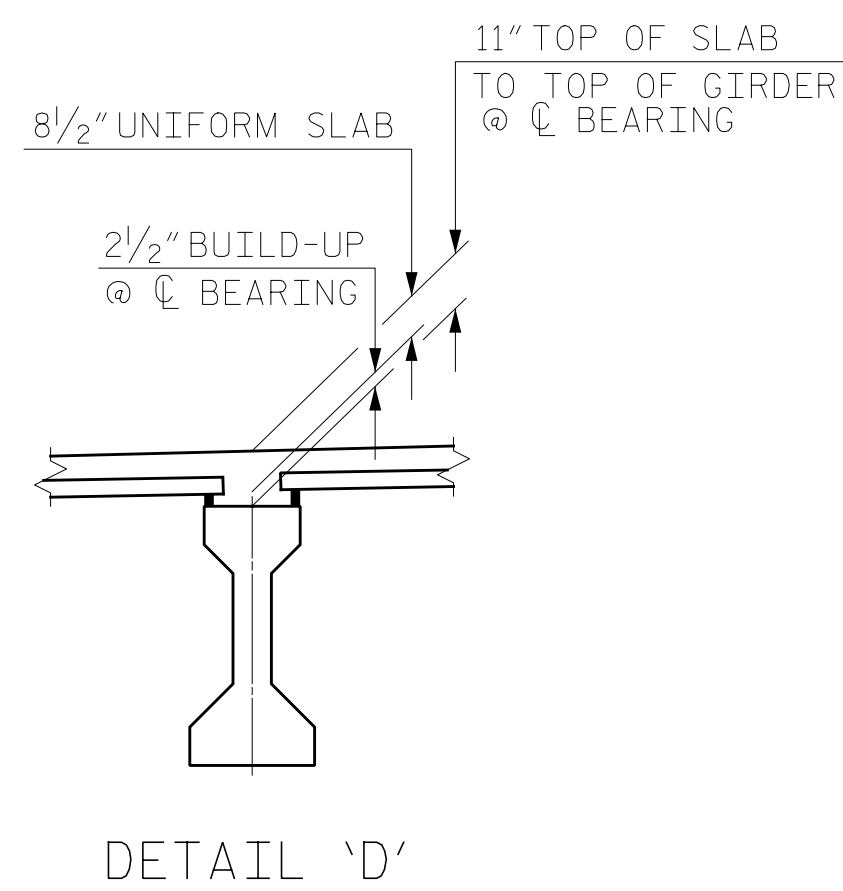
TYPICAL SECTION - SPAN 11  
SPANS ARE CONTINUOUS FOR LIVE LOAD WITH COMPOSITE DECK



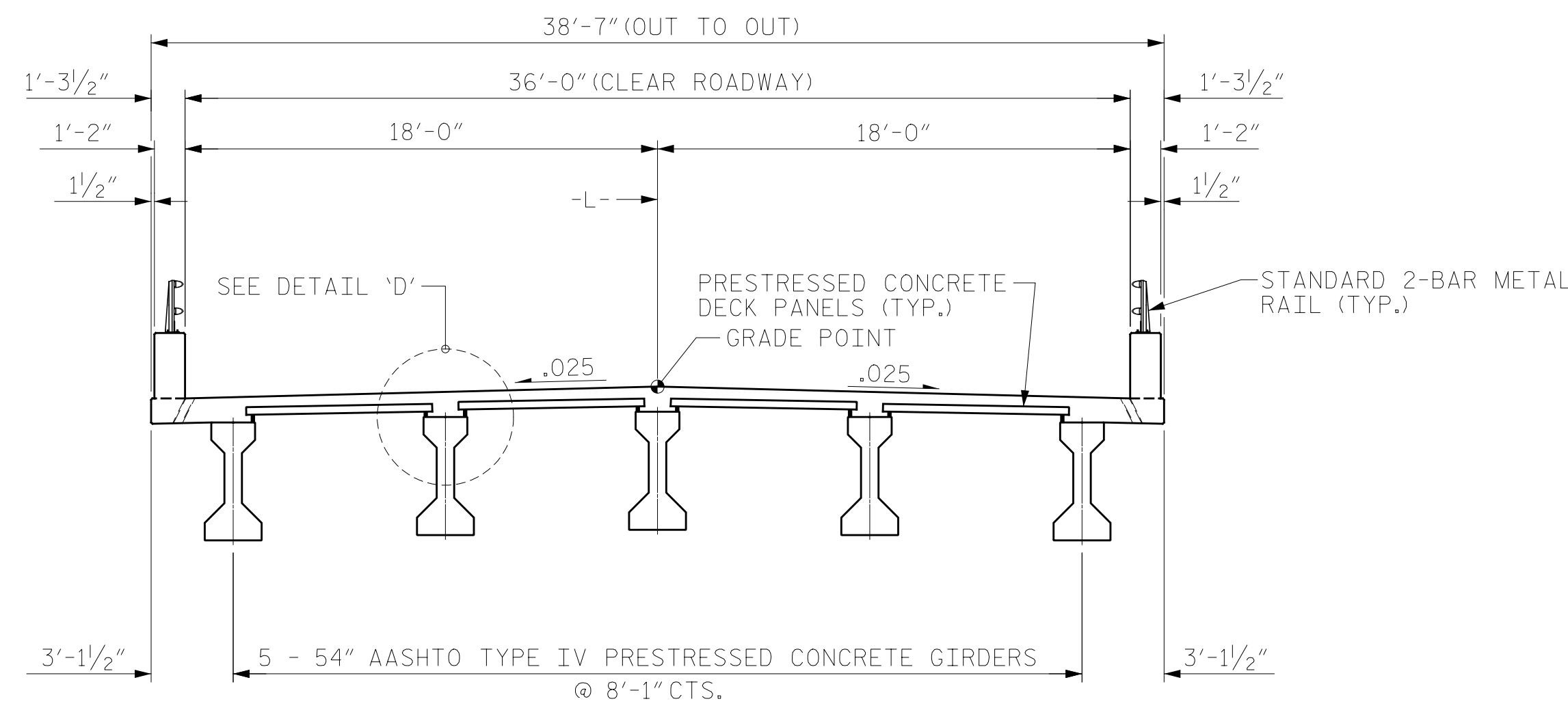
TYPICAL SECTION - SPAN 12 THRU SPAN 76  
SPANS ARE CONTINUOUS FOR LIVE LOAD WITH COMPOSITE DECK



DETAIL 'C'



DETAIL 'D'



TYPICAL SECTION - SPAN 77 THRU SPAN 80  
SPANS ARE CONTINUOUS FOR LIVE LOAD WITH COMPOSITE DECK

PROJECT NO. R-2576  
CURRITUCK & DARE COUNTY  
STATION: 61+67.00 -L-

SHEET 13 OF 13

STATE OF NORTH CAROLINA  
DEPARTMENT OF TRANSPORTATION  
RALEIGH  
PRELIMINARY  
GENERAL DRAWING  
BRIDGE OVER  
MAPLE SWAMP ON  
NEW ROUTE BETWEEN  
US 158 AND NC 12

REVISIONS				SHEET NO.	
NO.	BY:	DATE:	NO.	BY:	DATE:
1			3		
2			4		

SHEET NO.	S1-13
TOTAL SHEETS	13

DOCUMENT NOT CONSIDERED FINAL  
UNLESS ALL SIGNATURES COMPLETED

**LOCHNER**  
H. W. LOCHNER, INC.  
2840 PLAZA PLACE, SUITE 202  
RALEIGH, NC 27612  
(919) 271-7111  
NC License  
Number F-0129

DRAWN BY: R. KNIGHT DATE: 11/2019  
CHECKED BY: K. SMITH DATE: 04/2020

7/2/2020 4:25:44 PM R-2576\_SD\_Maple\_Swamp\_FGD13.dgn  
NCDOT\_Structures.pdf.pltcfgr NCDOT\_Structures.pdf.tbi