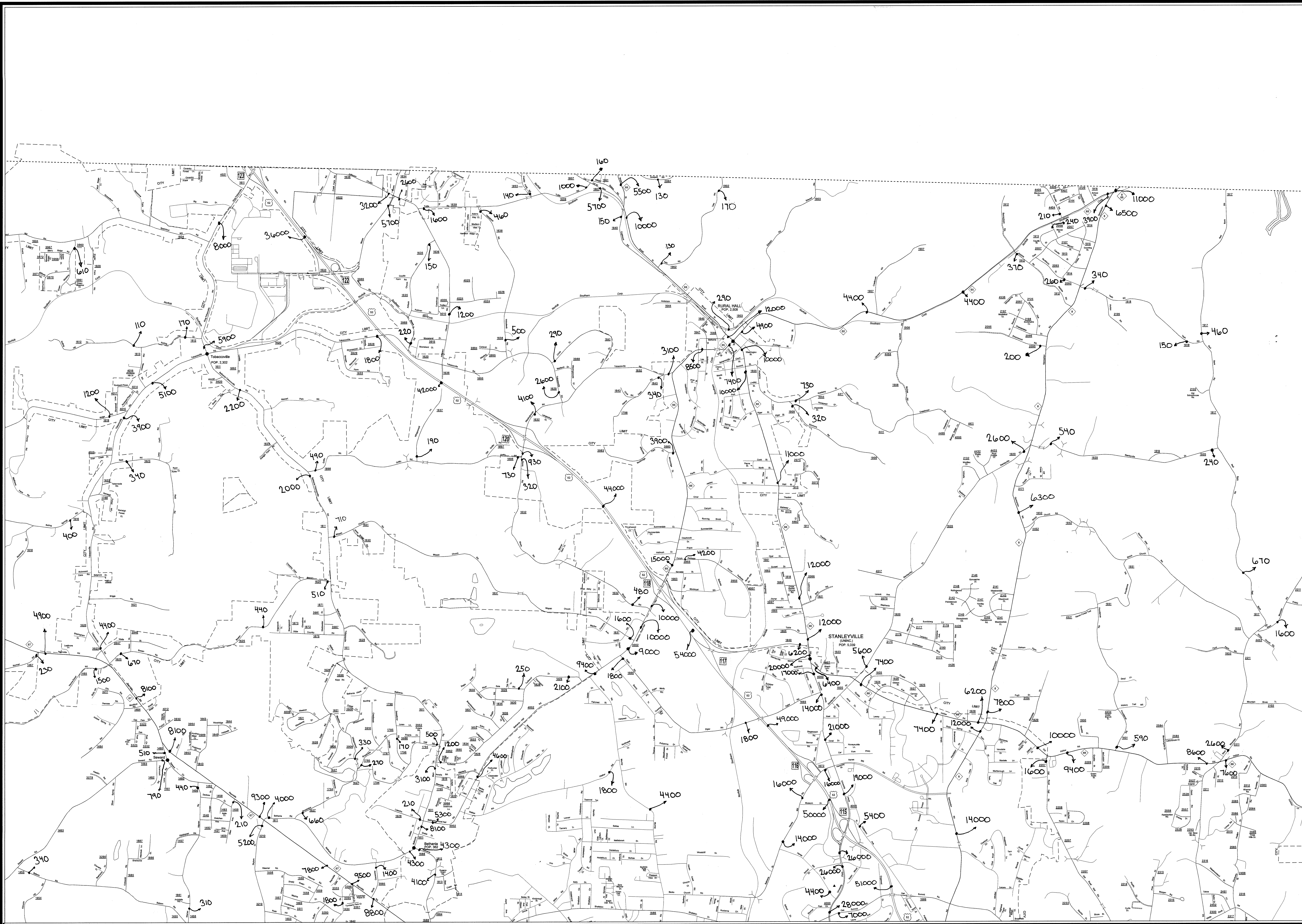


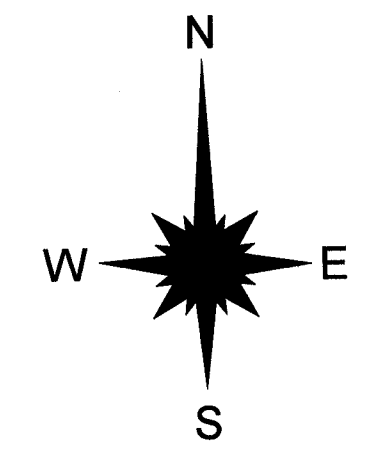
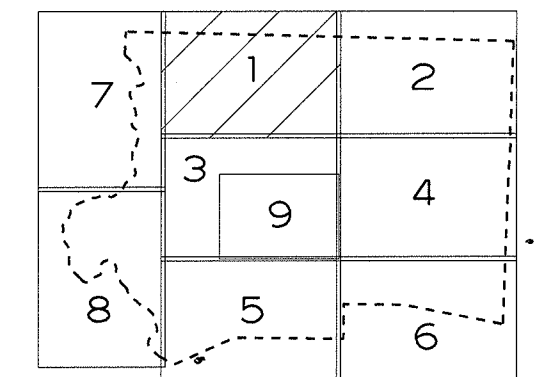
SHEET 1 OF 9

BASE MAP
REVISED
AUG 2009



LEGEND

ROAD	4 LANE UNDIVIDED HIGHWAY	DIVIDED HIGHWAY	FCA	FULL CONTROL ACCESS	DETAILED HIGHWAY INTERCHANGE	ROAD THROUGH MOUNTAIN PASS	HIGHWAY BRIDGE	UNDERPASS	OVERPASS	DRAW SPAN ON BRIDGE	HIGHWAY TUNNEL	FORD	INTERSTATE HIGHWAY	U.S. NUMBERED HIGHWAY	N.C. NUMBERED HIGHWAY	U.S. NUMBERED BICYCLE ROUTE	N.C. NUMBERED BICYCLE ROUTE	INTERSTATE INTERCHANGE NUMBER	SECONDARY ROAD NUMBER	RAILROAD, ANY NUMBER OF TRACKS USED BY SINGLE OPERATING COMPANY	RAILROAD, ANY NUMBER OF TRACKS USED BY MORE THAN ONE OPERATING COMPANY ON SAME OR ADJACENT RIGHTS-OF-WAY	RAILROAD STATION	GRADE CROSSING	UNDERPASS	OVERPASS	RAILROAD TUNNEL	RAILROAD BRIDGE	UNINCORPORATED CENSUS DESIGNATED PLACE	CITY LIMIT	COUNTY LINE	STATE LINE	INCORPORATED CITY OR VILLAGE, (GENERALIZED)	TELEPHONE	CABLE	RESERVATION OR PARK BOUNDARY	INSET AREA	FREE OR TOLL FERRY	CANAL	NARROW STREAM	WIDE STREAM	DAM WITH LOCK	DAM	RESERVOIR, POND, OR LAKE	COUNTY SEAT	COMMUNITY AND TOWN CENTER	TOWN HALL	SCHOOL	COLLEGE OR UNIVERSITY	HOSPITAL	CHURCH	CHURCH WITH CEMETERY	CEMETERY	FARBGROUND OR RACETRACK	POST OFFICE	POWER PLANT	PATROL STATION	CORRECTIONAL OR PENAL INSTN.	HIGHWAY GARAGE OR MAINT. YARD	HIGHWAY DIV. OR DIST. OFFICE	WEIGHT STATION	SWAMP OR MARSH	GRAVEL PIT OR QUARRY	MONUMENT-SMALL HISTORICAL SITE	LIGHTHOUSE	MOUNTAIN PEAK	MINE	REST AREA	MUNICIPAL PARK	TRIANGULATION STATION	COAST GUARD STATION	ARMORY	FEDERAL GAME LAND	MILITARY AIRFIELD	COMMERCIAL OR MUNICIPAL FIELD	HANGAR ON FIELD	LANDING STRIP	MARKED AUXILIARY FIELD	WAREHOUSES OR MANUFACTURING PLANTS	SHOPPING CENTERS
------	--------------------------	-----------------	-----	---------------------	------------------------------	----------------------------	----------------	-----------	----------	---------------------	----------------	------	--------------------	-----------------------	-----------------------	-----------------------------	-----------------------------	-------------------------------	-----------------------	---	--	------------------	----------------	-----------	----------	-----------------	-----------------	--	------------	-------------	------------	---	-----------	-------	------------------------------	------------	--------------------	-------	---------------	-------------	---------------	-----	--------------------------	-------------	---------------------------	-----------	--------	-----------------------	----------	--------	----------------------	----------	-------------------------	-------------	-------------	----------------	------------------------------	-------------------------------	------------------------------	----------------	----------------	----------------------	--------------------------------	------------	---------------	------	-----------	----------------	-----------------------	---------------------	--------	-------------------	-------------------	-------------------------------	-----------------	---------------	------------------------	------------------------------------	------------------

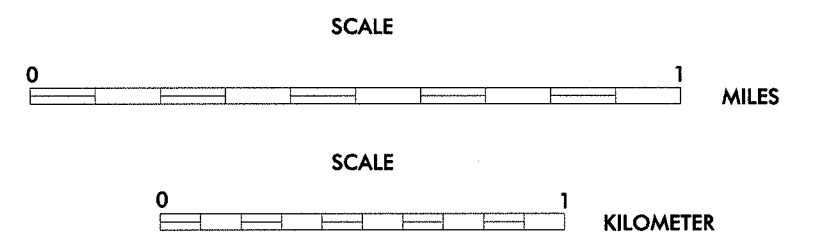


SHEET KEY

2013
ANNUAL AVERAGE
DAILY TRAFFIC
GENERATED BY THE
TRAFFIC SURVEY GROUP
TRANSPORTATION PLANNING BRANCH
WINSTON-SALEM
INCLUDED IN
FORSYTH COUNTY
NORTH CAROLINA

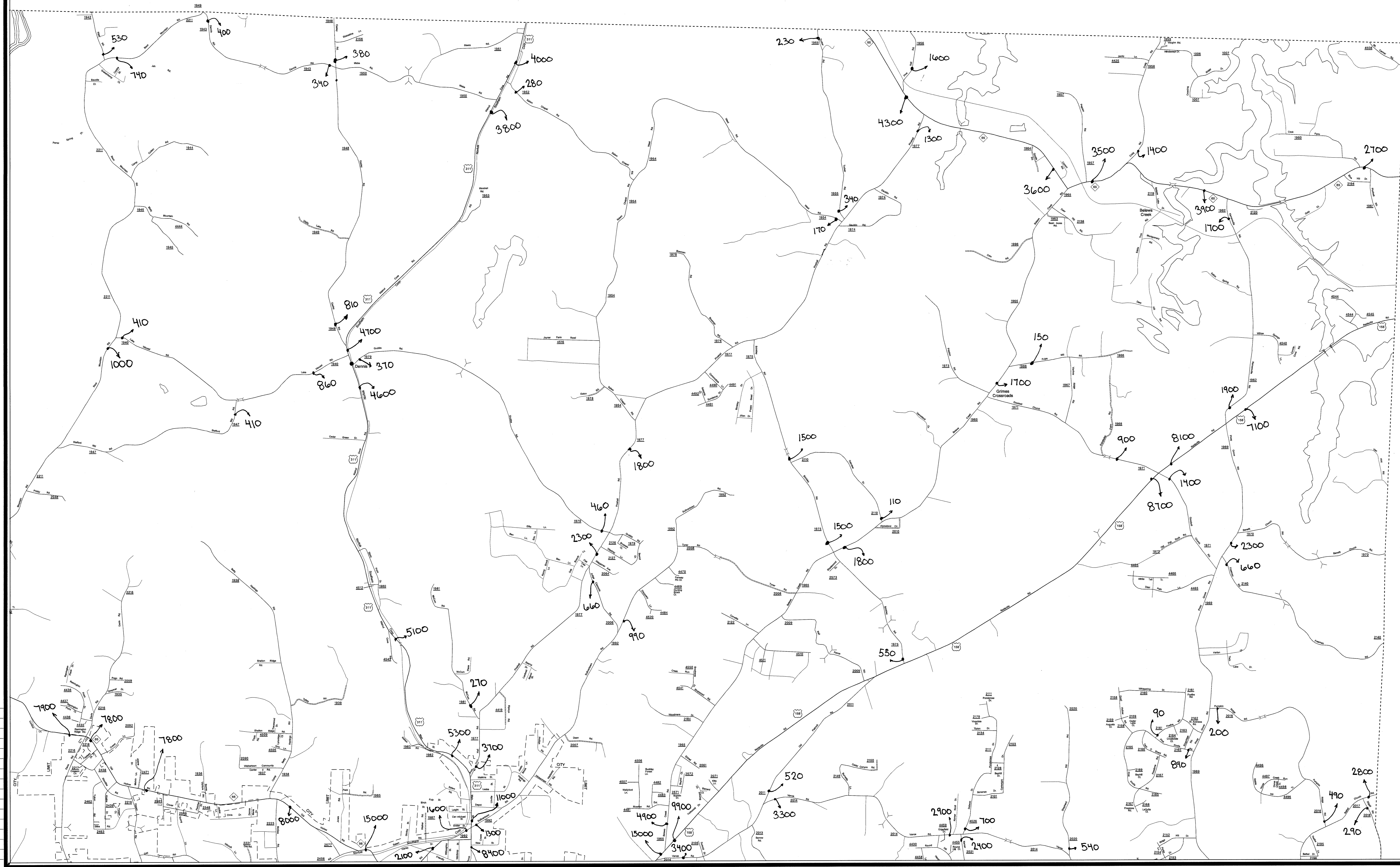
BASE MAPPING PREPARED BY
NORTH CAROLINA DEPARTMENT OF TRANSPORTATION
STATE ROAD MAINTENANCE UNIT
MAPPING & INFORMATION SECTION

IN COOPERATION WITH THE
U.S. DEPARTMENT OF TRANSPORTATION
FEDERAL HIGHWAY ADMINISTRATION



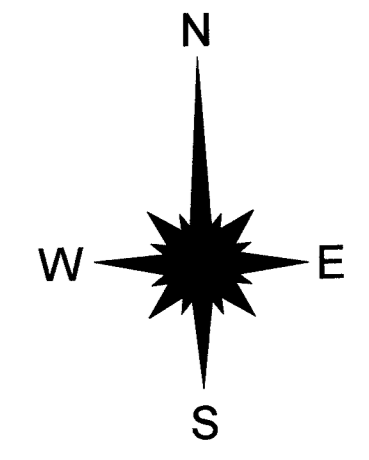
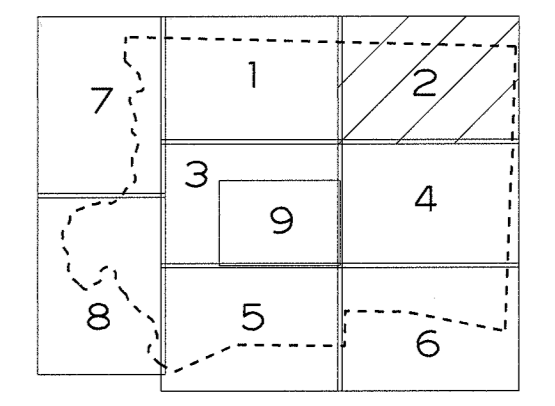
1"=1500'=457.2m

SHEET 1 OF 9



LEGEND

ROAD	4 LANE UNDIVIDED HIGHWAY	TELEPHONE	CABLE
DIVIDED HIGHWAY	FULL CONTROL ACCESS	RES./PARK BDT.	RESERVATION OR PARK BOUNDARY
FCA	DETAILED HIGHWAY INTERCHANGE		INSET AREA
	ROAD THROUGH MOUNTAIN PASS		FREE OR TOLL FERRY
	HIGHWAY BRIDGE		CANAL
	UNDERPASS		NARROW STREAM
	OVERPASS		WIDE STREAM
	DRAW SPAN ON BRIDGE		DAM WITH LOCK
	HIGHWAY TUNNEL		DAM
FORD	INTERSTATE HIGHWAY		RESERVOIR, POND, OR LAKE
	U.S. NUMBERED HIGHWAY		COUNTY SEAT
	N.C. NUMBERED HIGHWAY		COMMUNITY AND TOWN CENTER
	U.S. NUMBERED BICYCLE ROUTE		TOWN HALL
	N.C. NUMBERED BICYCLE ROUTE		SCHOOL
	INTERSTATE INTERCHANGE NUMBER		COLLEGE OR UNIVERSITY
SECONDARY ROAD NUMBER	RAILROAD ANY NUMBER OF TRACKS USED BY SINGLE OPERATING COMPANY		HOSPITAL
	RAILROAD ANY NUMBER OF TRACKS USED BY MORE THAN ONE OPERATION COMPANY ON SAME OR ADJACENT RIGHTS-OF-WAY		CHURCH
	RAILROAD STATION		CHURCH WITH CEMETERY
	GRADE CROSSING		CEMETERY
UNDERPASS	RAILROAD TUNNEL		FAIRGROUND OR RACETRACK
OVERPASS	RAILROAD BRIDGE		POST OFFICE
	UNINCORPORATED CENSUS DESIGNATED PLACE		POWER PLANT
	CITY LIMIT		WEIGHT STATION
	COUNTY LINE		CORRECTIONAL OR PENAL INSTN.
	STATE LINE		HIGHWAY GARAGE OR MAINT. YARD
	INCORPORATED CITY OR VILLAGE, (GENERALIZED)		HIGHWAY DIV. OR DIST. OFFICE
			GRAVEL PIT OR QUARRY
			MONUMENT-SMALL HISTORICAL SITE
			LIGHTHOUSE
			MOUNTAIN PEAK
			MINE
			REST AREA
			MUNICIPAL PARK
			TRIANGULATION STATION
			COAST GUARD STATION
			ARMORY
			FEDERAL GAME LAND
			MILITARY AIRFIELD
			COMMERCIAL OR MUNICIPAL FIELD
			HANGAR ON FIELD
			LANDING STRIP
			MARKED AUXILIARY FIELD
			WAREHOUSES OR MANUFACTURING PLANTS
			SHOPPING CENTERS



SHEET KEY

**2013
ANNUAL AVERAGE
DAILY TRAFFIC**

GENERATED BY THE
TRAFFIC SURVEY GROUP
TRANSPORTATION PLANNING BRANCH

WINSTON-SALEM

INCLUDED IN
FORSYTH COUNTY

NORTH CAROLINA

BASE MAPPING PREPARED BY
NORTH CAROLINA DEPARTMENT OF TRANSPORTATION
STATE ROAD MAINTENANCE UNIT
MAPPING & INFORMATION SECTION

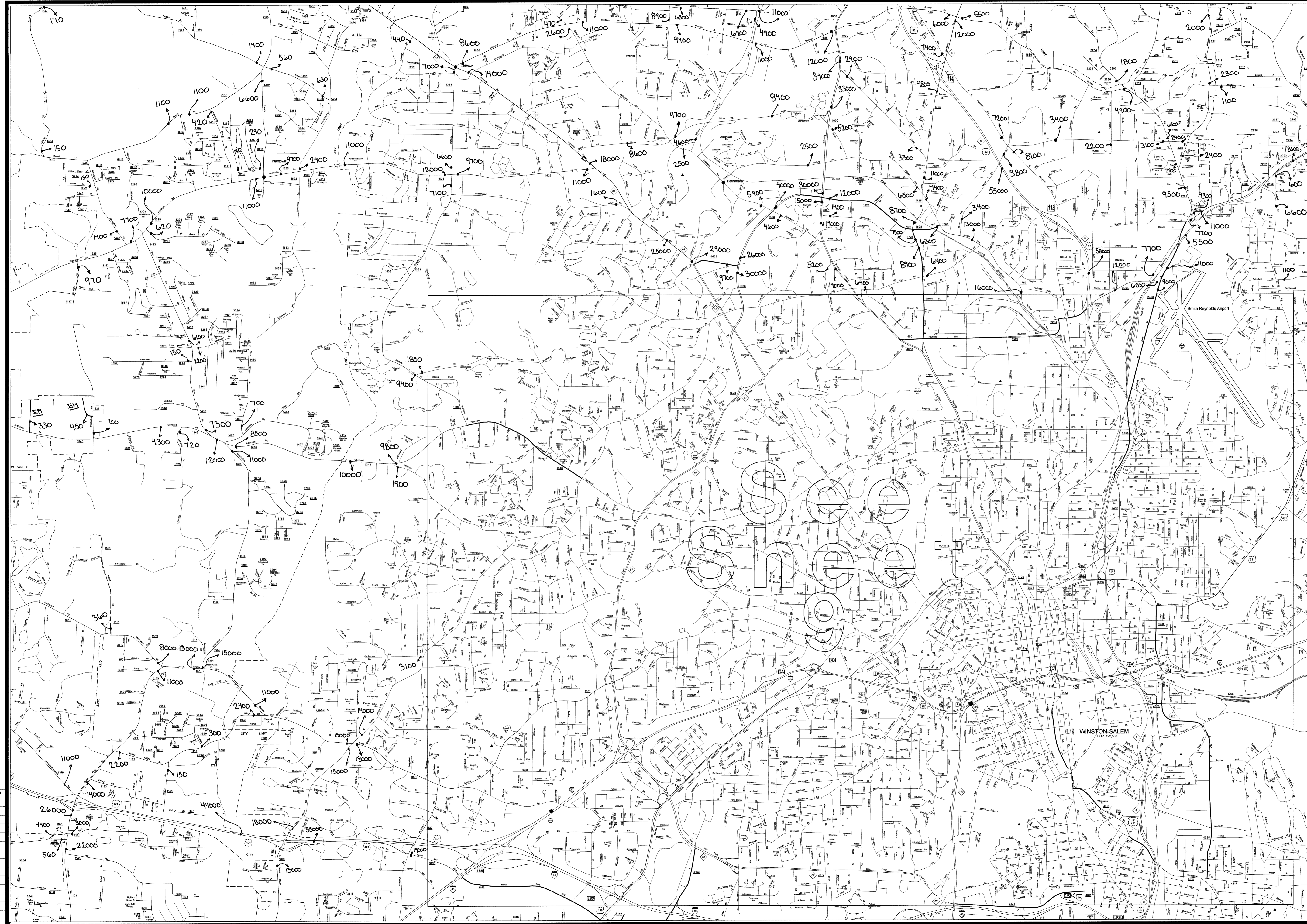
IN COOPERATION WITH THE
U.S. DEPARTMENT OF TRANSPORTATION
FEDERAL HIGHWAY ADMINISTRATION

SCALE 0 1 2 MILES

SCALE 0 1 2 KILOMETER

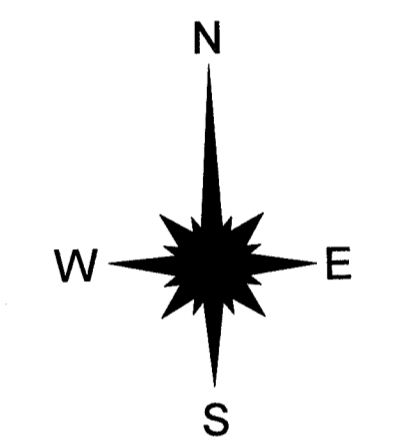
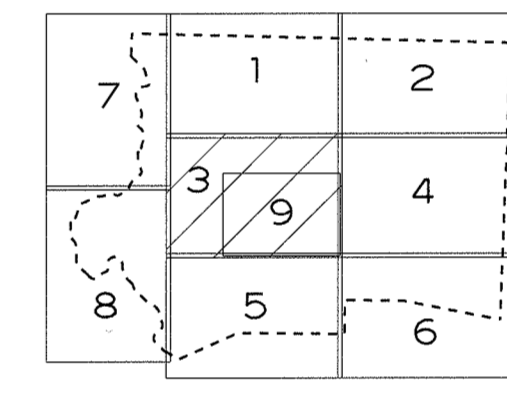
SHEET 2 OF 9

1"=1500'=457.2m



LEGEND

ROAD	4 LANE UNDIVIDED HIGHWAY	TELEPHONE	CABLE
DIVIDED HIGHWAY	FULL CONTROL ACCESS	RES./PARK BOY	RESERVATION OR PARK BOUNDARY
FCA	DETAILED HIGHWAY INTERCHANGE		INSET AREA
	ROAD THROUGH MOUNTAIN PASS		FREE OR TOLL FERRY
	HIGHWAY BRIDGE		CANAL
	UNDERPASS		NARROW STREAM
	OVERPASS		WIDE STREAM
	DRAW SPAN ON BRIDGE		DAM WITH LOCK
	HIGHWAY TUNNEL		DAM
FORD	INTERSTATE HIGHWAY		RESERVOIR, POND, OR LAKE
	U.S. NUMBERED HIGHWAY		COUNTY SEAT
	N.C. NUMBERED HIGHWAY		COMMUNITY AND TOWN CENTER
	U.S. NUMBERED BICYCLE ROUTE		TOWN HALL
	N.C. NUMBERED BICYCLE ROUTE		SCHOOL
	INTERSTATE INTERCHANGE NUMBER		COLLEGE OR UNIVERSITY
	SECONDARY ROAD NUMBER		HOSPITAL
	RAILROAD ANY NUMBER OF TRACKS USED BY SINGLE OPERATING COMPANY		CHURCH
	RAILROAD ANY NUMBER OF TRACKS USED BY MORE THAN ONE OPERATION COMPANY ON SAME OR ADJACENT RIGHTS-OF-WAY		CHURCH WITH CEMETERY
RAILROAD STATION	RAILROAD BRIDGE		CASINO
GRADE CROSSING	UNINCORPORATED CENSUS DESIGNATED PLACE		FAIRGROUND OR RACETRACK
UNDERPASS	CITY LIMIT		POST OFFICE
OVERPASS	STATE LINE		POWER PLANT
RAILROAD TUNNEL	INCORPORATED CITY OR VILLAGE (GENERALIZED)		POWER SUBSTATION
			PATROL STATION
			CORRECTIONAL OR PENAL INSTN.
			HIGHWAY GARAGE OR MAINT. YARD
			HIGHWAY DIV. OR DIST. OFFICE
			WEIGHT STATION
			SWAMP OR MARSH
			GRAVEL PIT OR QUARRY
			MONUMENT-SMALL HISTORICAL SITE
			LIGHTHOUSE
			MOUNTAIN PEAK
			RAINE
			REST AREA
			MUNICIPAL PARK
			TRIANGULATION STATION
			COAST GUARD STATION
			AIRPORT
			FEDERAL GAME LAND
			MILITARY AIRFIELD
			COMMERCIAL OR MUNICIPAL FIELD
			HANGAR ON FIELD
			LANDING STRIP
			MARKED AUXILIARY FIELD
			WAREHOUSES OR MANUFACTURING PLANTS
			SHOPPING CENTERS



SHEET KEY

2013
ANNUAL AVERAGE
DAILY TRAFFIC

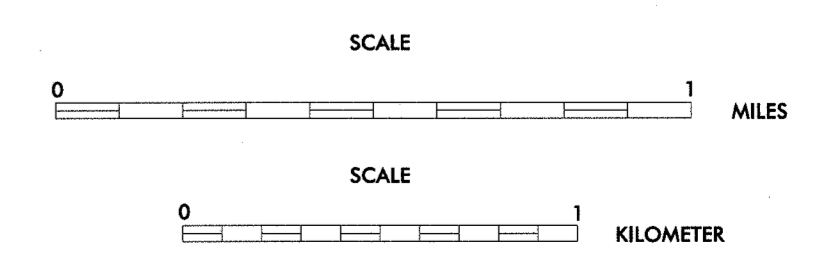
GENERATED BY THE
TRAFFIC SURVEY GROUP
TRANSPORTATION PLANNING BRANCH

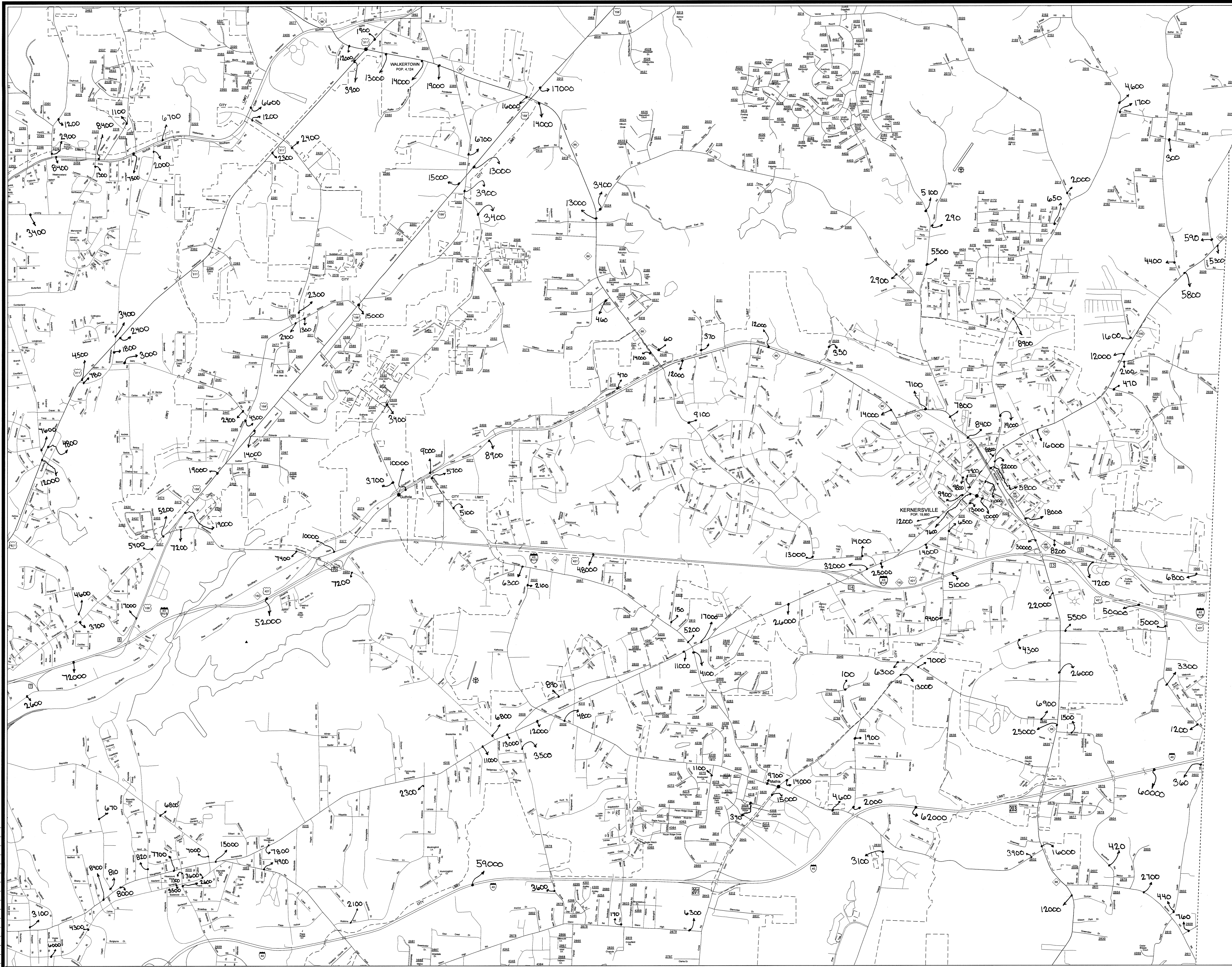
WINSTON-SALEM

INCLUDED IN
FORSYTH COUNTY
NORTH CAROLINA

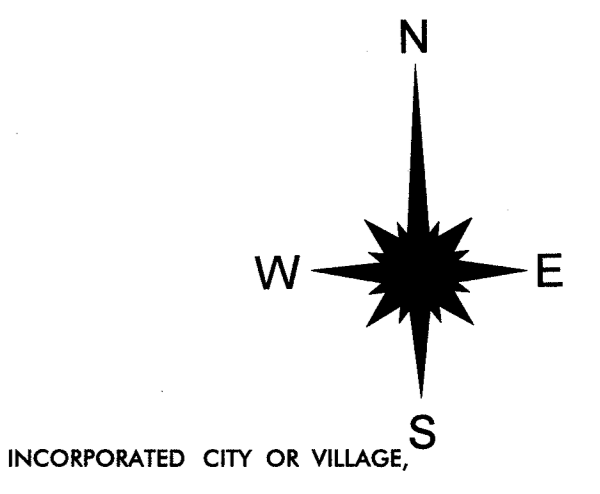
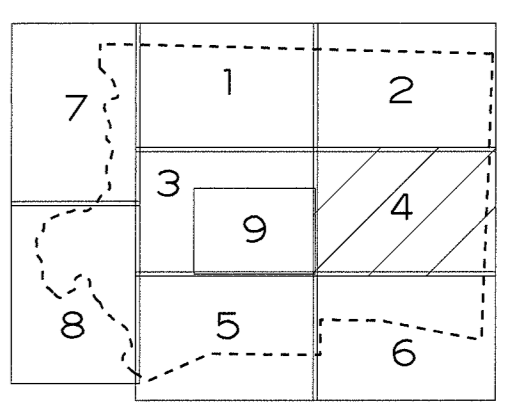
BASE MAPPING PREPARED BY
NORTH CAROLINA DEPARTMENT OF TRANSPORTATION
STATE ROAD MAINTENANCE UNIT
MAPPING & INFORMATION SECTION

IN COOPERATION WITH THE
U.S. DEPARTMENT OF TRANSPORTATION
FEDERAL HIGHWAY ADMINISTRATION





- LEGEND**
- | | | |
|--|------------------------------|--|
| ROAD
4 LANE UNDIVIDED HIGHWAY
DIVIDED HIGHWAY
FULL CONTROL ACCESS | TELEPHONE
RES. (PARK BAY) | CABLE
RESERVATION OR PARK BOUNDARY
INSET AREA
FREE OR TOLL FERRY
CANAL
NARROW STREAM
WIDE STREAM |
| DETAILED HIGHWAY INTERCHANGE
ROAD THROUGH MOUNTAIN PASS
HIGHWAY BRIDGE | | DAM WITH LOCK
DAM |
| UNDERPASS
OVERPASS | | RESERVOIR, POND, OR LAKE
COUNTY SEAM
COMMUNITY AND TOWN CENTER
TOWN HALL
SCHOOL
COLLEGE OR UNIVERSITY
HOSPITAL
CHURCH
CHURCH WITH CEMETERY
CEMETERY
FAIRGROUND OR RACETRACK
POST OFFICE
POWER PLANT
POWER SUBSTATION
PATROL STATION
CORRECTIONAL OR PENAL INSTN.
HIGHWAY GARAGE OR MAINT. YARD
HIGHWAY DIV. OR DIST. OFFICE
WEIGHT STATION
SWAMP OR MARSH
GRAVEL PIT OR QUARRY
MONUMENT-SMALL HISTORICAL SITE
LIGHTHOUSE
MOUNTAIN PEAK
MINE
REST AREA
MUNICIPAL PARK
TRIANGULATION STATION
COAST GUARD STATION
ADWORTH
FEDERAL GAME LAND
MILITARY AIRFIELD
COMMERCIAL OR MUNICIPAL FIELD
HANGAR ON FIELD
LANDING STRIP
MARKED AUXILIARY FIELD
WAREHOUSES OR MANUFACTURING PLANTS
SHOPPING CENTERS |
| DRAW SPAN ON BRIDGE
HIGHWAY TUNNEL
FORD
INTERSTATE HIGHWAY
U.S. NUMBERED HIGHWAY
N.C. NUMBERED HIGHWAY
U.S. NUMBERED BICYCLE ROUTE
N.C. NUMBERED BICYCLE ROUTE
INTERSTATE INTERCHANGE NUMBER
SECONDARY ROAD NUMBER | | |
| RAILROAD ANY NUMBER OF TRACKS USED BY SINGLE OPERATING COMPANY
RAILROAD ANY NUMBER OF TRACKS USED BY MORE THAN ONE OPERATION COMPANY ON SAME OR ADJACENT RIGHTS-OF-WAY
RAILROAD STATION
RAILROAD UNDERPASS
RAILROAD OVERPASS
RAILROAD TUNNEL
RAILROAD BRIDGE
UNINCORPORATED CENSUS DESIGNATED PLACE
CITY LIMIT
COUNTY LINE
STATE LINE
(GENERALIZED) | | |

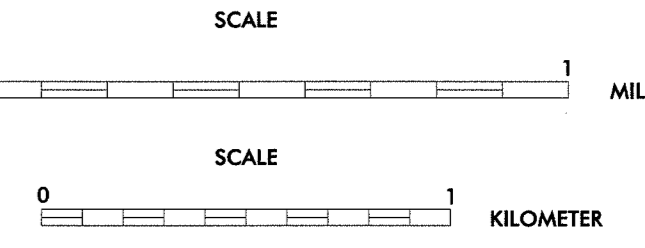


SHEET KEY

2013 ANNUAL AVERAGE DAILY TRAFFIC
 GENERATED BY THE
TRAFFIC SURVEY GROUP
 TRANSPORTATION PLANNING BRANCH
WINSTON-SALEM
 INCLUDED IN
 FORSYTH COUNTY
NORTH CAROLINA

BASE MAPPING PREPARED BY
 NORTH CAROLINA DEPARTMENT OF TRANSPORTATION
 STATE ROAD MAINTENANCE UNIT
 MAPPING & INFORMATION SECTION

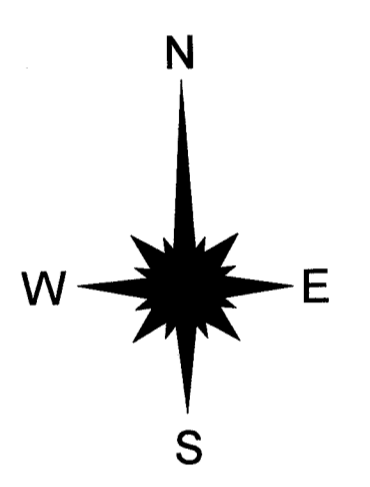
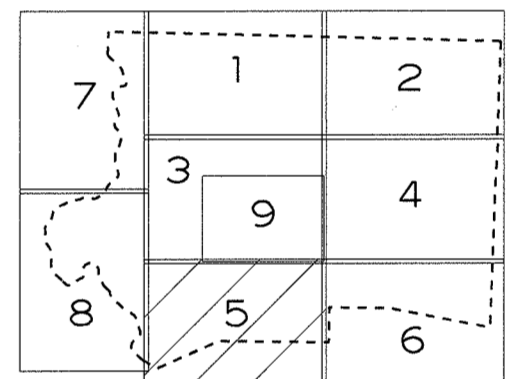
IN COOPERATION WITH THE
 U.S. DEPARTMENT OF TRANSPORTATION
 FEDERAL HIGHWAY ADMINISTRATION





LEGEND

ROAD	4 LANE UNDIVIDED HIGHWAY	DIVIDED HIGHWAY	FULL CONTROL ACCESS	DETAILED HIGHWAY INTERCHANGE	ROAD THROUGH MOUNTAIN PASS	HIGHWAY BRIDGE	UNDERPASS	OVERPASS	DRAW SPAN ON BRIDGE	HIGHWAY TUNNEL	FORD	INTERSTATE HIGHWAY	U.S. NUMBERED HIGHWAY	N.C. NUMBERED HIGHWAY	U.S. NUMBERED BICYCLE ROUTE	N.C. NUMBERED BICYCLE ROUTE	INTERSTATE INTERCHANGE NUMBER	SECONDARY ROAD NUMBER	RAILROAD, ANY NUMBER OF TRACKS USED BY SINGLE OPERATING COMPANY	RAILROAD, ANY NUMBER OF TRACKS USED BY MORE THAN ONE OPERATION COMPANY OR SAME OR ADJACENT RIGHTS-OF-WAY	RAILROAD STATION	GRADE CROSSING	UNDERPASS	OVERPASS	RAILROAD TUNNEL	RAILROAD BRIDGE	UNINCORPORATED CENSUS DESIGNATED PLACE	CITY LIMIT	COUNTY LINE	STATE LINE	INCORPORATED CITY OR VILLAGE, (GENERALIZED)	CABLE	RESERVATION OR PARK BOUNDARY	INSET AREA	FREE OR TOLL FERRY	CANAL	NARROW STREAM	WIDE STREAM	DAM WITH LOCK	DAM	RESERVOIR, POND, OR LAKE	COUNTY SEAT	CITY AND TOWN CENTER	TOWN HALL	SCHOOL	COLLEGE OR UNIVERSITY	HOSPITAL	CHURCH	CHURCH WITH CEMETERY	CEMETERY	FAIRGROUND OR RACETRACK	POST OFFICE	POWER PLANT	POWER SUBSTATION	WEIGHT STATION	PATROL STATION	CORRECTIONAL OR PENAL INSTN.	HIGHWAY GARAGE OR MAINT. YARD	HIGHWAY DIV. OR DIST. OFFICE	GRAVEL PIT OR QUARRY	MONUMENT-SMALL HISTORICAL SITE	LIGHTHOUSE	MOUNTAIN PEAK	MINE	REST AREA	MUNICIPAL PARK	TRIANGULATION STATION	COAST GUARD STATION	ARMORY	FEDERAL GAME LAND	MILITARY AIRFIELD	COMMERCIAL OR MUNICIPAL FIELD	HANGAR ON FIELD	LANDING STRIP	MARKED AUXILIARY FIELD	WAREHOUSES OR MANUFACTURING PLANTS	SHOPPING CENTERS
------	--------------------------	-----------------	---------------------	------------------------------	----------------------------	----------------	-----------	----------	---------------------	----------------	------	--------------------	-----------------------	-----------------------	-----------------------------	-----------------------------	-------------------------------	-----------------------	---	--	------------------	----------------	-----------	----------	-----------------	-----------------	--	------------	-------------	------------	---	-------	------------------------------	------------	--------------------	-------	---------------	-------------	---------------	-----	--------------------------	-------------	----------------------	-----------	--------	-----------------------	----------	--------	----------------------	----------	-------------------------	-------------	-------------	------------------	----------------	----------------	------------------------------	-------------------------------	------------------------------	----------------------	--------------------------------	------------	---------------	------	-----------	----------------	-----------------------	---------------------	--------	-------------------	-------------------	-------------------------------	-----------------	---------------	------------------------	------------------------------------	------------------



SHEET KEY

2013 ANNUAL AVERAGE DAILY TRAFFIC

GENERATED BY THE
TRAFFIC SURVEY GROUP
 TRANSPORTATION PLANNING BRANCH

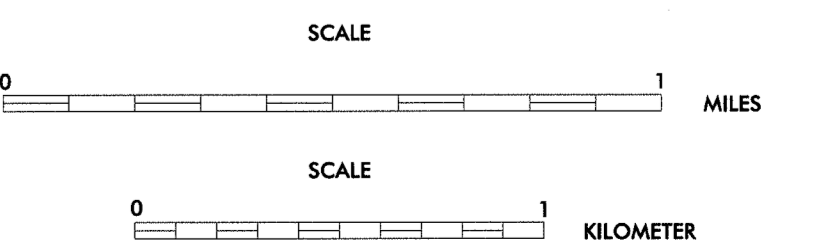
WINSTON-SALEM

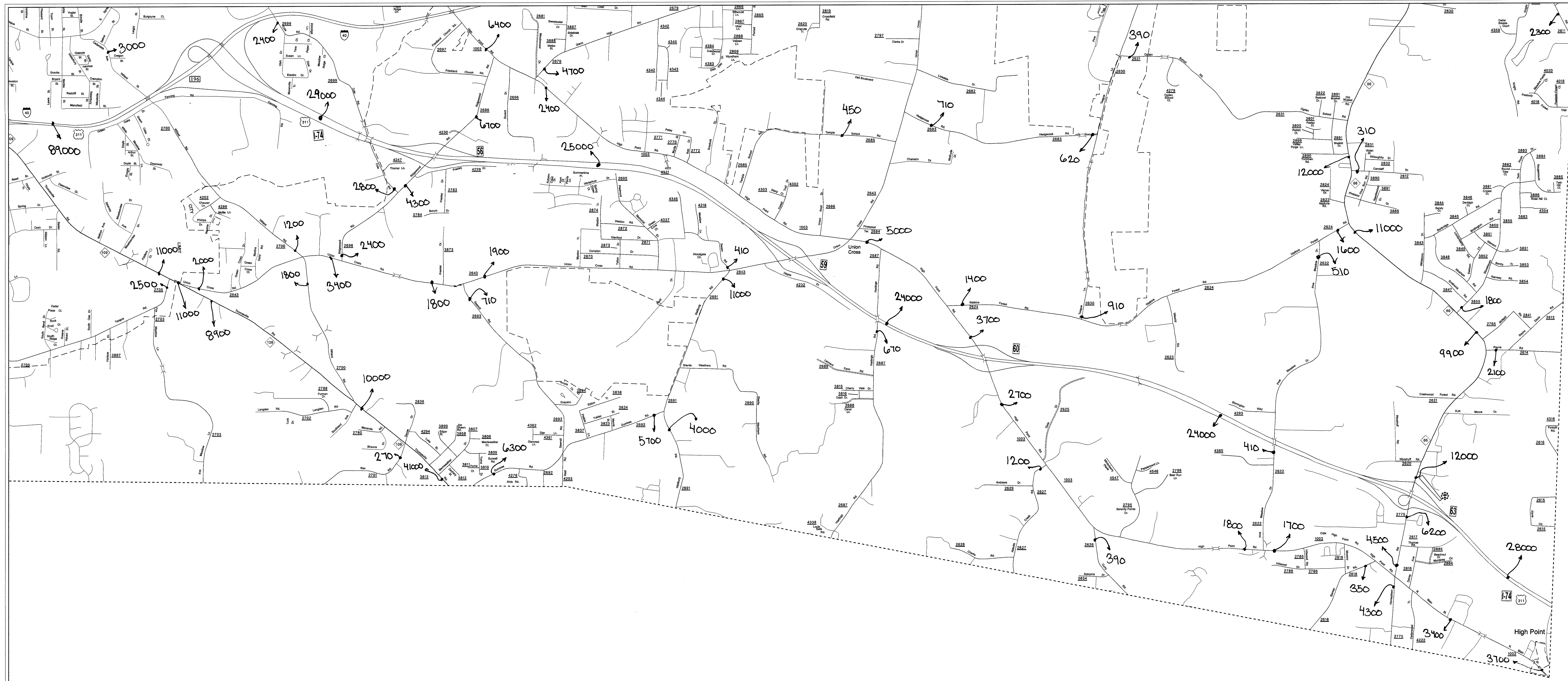
INCLUDED IN
 FORSYTH COUNTY

NORTH CAROLINA

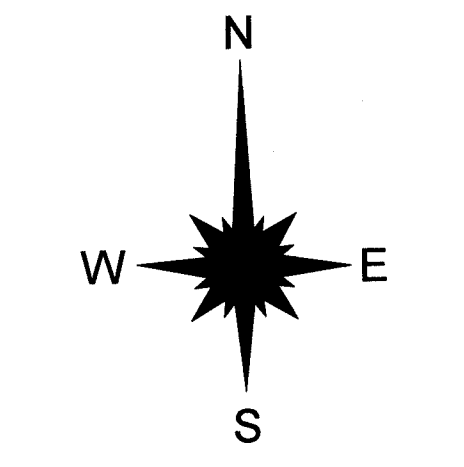
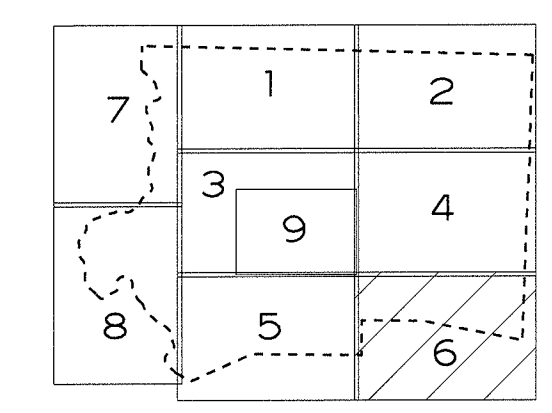
BASE MAPPING PREPARED BY
 NORTH CAROLINA DEPARTMENT OF TRANSPORTATION
 STATE ROAD MAINTENANCE UNIT
 MAPPING & INFORMATION SECTION

IN COOPERATION WITH THE
 U.S. DEPARTMENT OF TRANSPORTATION
 FEDERAL HIGHWAY ADMINISTRATION





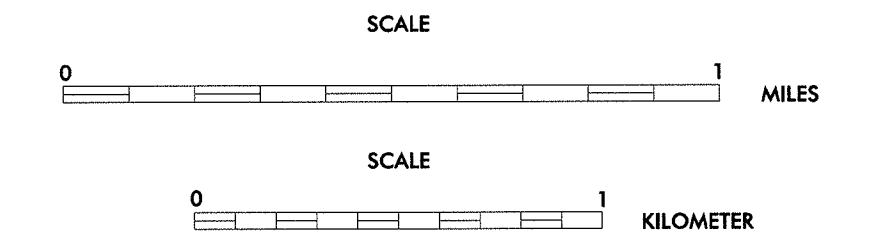
- LEGEND
- | | | |
|---|----------------|------------------------------------|
| ROAD | TELELECT/PIPE | CABLE |
| 4 LANE UNDIVIDED HIGHWAY | RES./PARK BDL. | RESERVATION OR PARK BOUNDARY |
| DIVIDED HIGHWAY | | INSET AREA |
| F.C.A. | | FREE OR TOLL FERRY |
| FULL CONTROL ACCESS | | CANAL |
| DETAILED HIGHWAY INTERCHANGE | | NARROW STREAM |
| ROAD THROUGH MOUNTAIN PASS | | WIDE STREAM |
| HIGHWAY BRIDGE | | DAM WITH LOCK |
| UNDERPASS | | DAM |
| OVERPASS | | RESERVOIR, POND, OR LAKE |
| DRAW SPAN ON BRIDGE | | COUNTY SEAT |
| HIGHWAY TUNNEL | | COMMUNITY AND TOWN CENTER |
| FORD | | TOWN HALL |
| INTERSTATE HIGHWAY | | SCHOOL |
| U.S. NUMBERED HIGHWAY | | COLLEGE OR UNIVERSITY |
| N.C. NUMBERED HIGHWAY | | HOSPITAL |
| U.S. NUMBERED BICYCLE ROUTE | | CHURCH WITH CEMETERY |
| N.C. NUMBERED BICYCLE ROUTE | | CEMETERY |
| INTERSTATE INTERCHANGE NUMBER | | FABRIC/IND. OR RACETRACK |
| SECONDARY ROAD NUMBER | | POST OFFICE |
| RAILROAD ANY NUMBER OF TRACKS USED BY SINGLE OPERATING COMPANY | | POWER PLANT |
| RAILROAD ANY NUMBER OF TRACKS USED BY MORE THAN ONE OPERATION COMPANY ON SAME OR ADJACENT RIGHTS-OF-WAY | | PATROL STATION |
| RAILROAD STATION | | CORRECTIONAL OR PENAL INSTN. |
| GRADE CROSSING | | HIGHWAY GARAGE OR MAINT. YARD |
| UNDERPASS | | HIGHWAY DIV. OR DIST. OFFICE |
| OVERPASS | | WEIGHT STATION |
| RAILROAD TUNNEL | | SWAMP OR MARSH |
| RAILROAD BRIDGE | | GRAVEL PIT OR QUARRY |
| DESIGNATED PLACE | | MONUMENT-SMALL HISTORICAL SITE |
| UNINCORPORATED CENSUS | | LIGHTHOUSE |
| CITY LIMIT | | MOUNTAIN PEAK |
| COUNTY LINE | | MINE |
| STATE LINE | | REST AREA |
| INCORPORATED CITY OR VILLAGE, (GENERALIZED) | | MUNICIPAL PARK |
| | | TRIANGULATION STATION |
| | | COAST GUARD STATION |
| | | ARMORY |
| | | FEDERAL GAME LAND |
| | | MILITARY AIRFIELD |
| | | COMMERCIAL OR MUNICIPAL FIELD |
| | | HANGAR ON FIELD |
| | | LANDING STRIP |
| | | MARKED AUXILIARY FIELD |
| | | WAREHOUSES OR MANUFACTURING PLANTS |
| | | SHOPPING CENTERS |



SHEET KEY

2013
ANNUAL AVERAGE
DAILY TRAFFIC
 GENERATED BY THE
TRAFFIC SURVEY GROUP
 TRANSPORTATION PLANNING BRANCH
WINSTON-SALEM
 INCLUDED IN
 FORSYTH COUNTY
NORTH CAROLINA

BASE MAPPING PREPARED BY
 NORTH CAROLINA DEPARTMENT OF TRANSPORTATION
 STATE ROAD MAINTENANCE UNIT
 MAPPING & INFORMATION SECTION
 IN COOPERATION WITH THE
 U.S. DEPARTMENT OF TRANSPORTATION
 FEDERAL HIGHWAY ADMINISTRATION

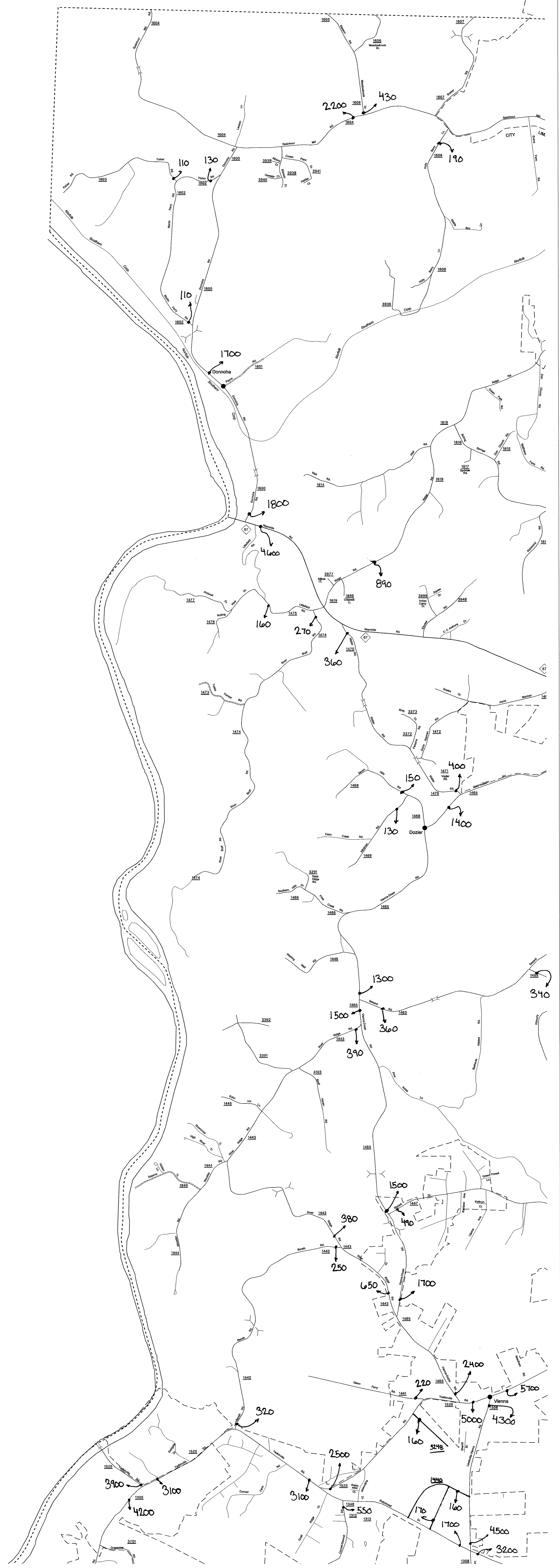


SHEET 6 OF 9

1"=1500'=457.2m

SHEET 6 OF 9

BASE MAP
REVISED
AUG 2009



**ANNUAL AVERAGE
DAILY TRAFFIC**
GENERATED BY THE
TRAFFIC SURVEY GROUP
TRANSPORTATION PLANNING BRANCH

WINSTON-SALEM

INCLUDED IN
FORSYTH COUNTIES

NORTH CAROLINA

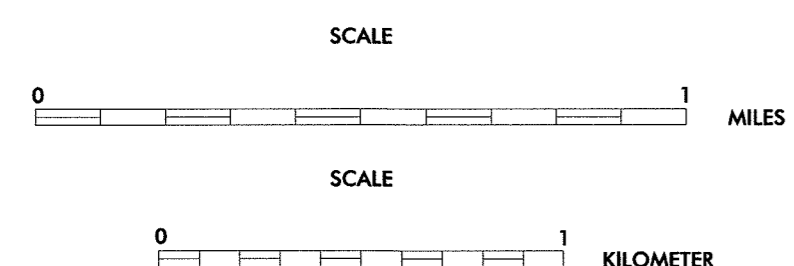
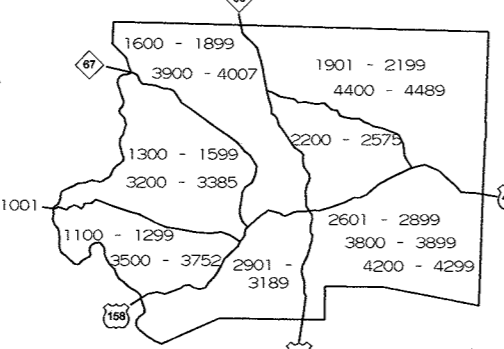
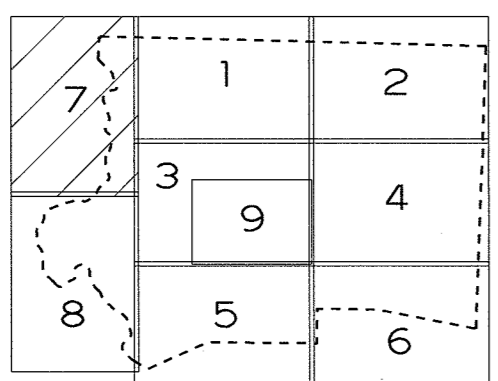
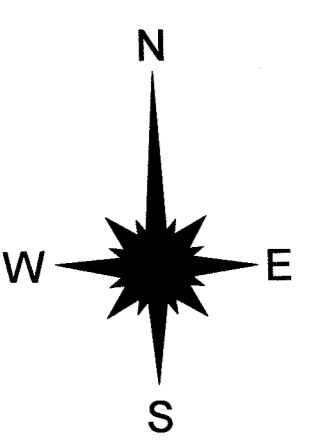
BASE MAPPING PREPARED BY
NORTH CAROLINA DEPARTMENT OF TRANSPORTATION
STATE ROAD MAINTENANCE UNIT
MAPPING & INFORMATION SECTION

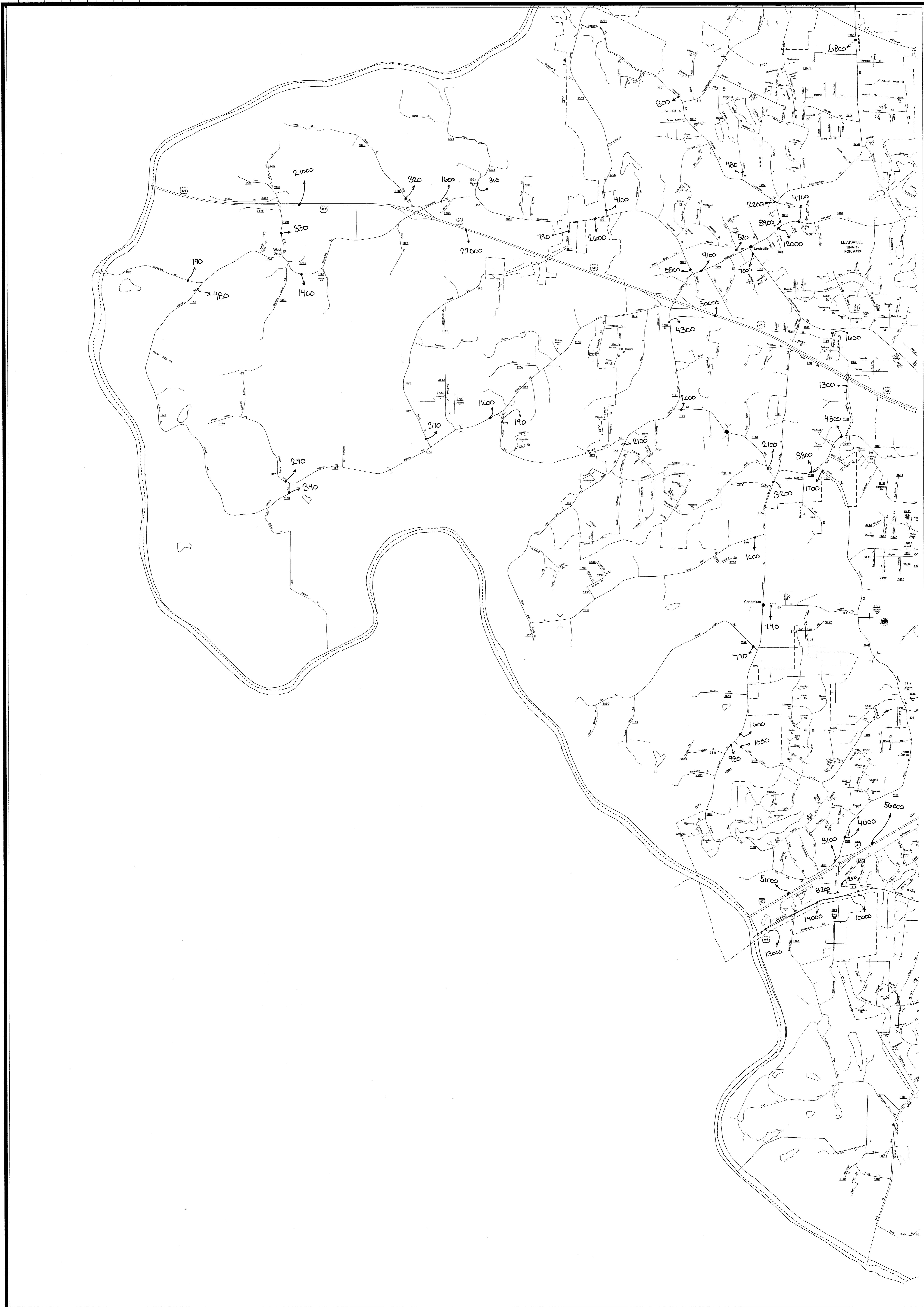
IN COOPERATION WITH THE
U.S. DEPARTMENT OF TRANSPORTATION
FEDERAL HIGHWAY ADMINISTRATION

2013

LEGEND

- | | | |
|---|--|-------------------------------|
| ROAD | RAILROAD STATION | COUNTY SEAT |
| 4 LANE UNDIVIDED HIGHWAY | GRADE CROSSING | COMMUNITY AND TOWN CENTER |
| DIVIDED HIGHWAY | UNDERPASS | TOWN HALL |
| FILL CONTROL ACCESS | OVERPASS | SCHOOL |
| DETAILED HIGHWAY INTERCHANGE | RAILROAD TUNNEL | COLLEGE OR UNIVERSITY |
| ROAD THROUGH MOUNTAIN PASS | RAILROAD BRIDGE | HOSPITAL |
| HIGHWAY BRIDGE | UNINCORPORATED CENSUS DESIGNATED PLACE | CHURCH |
| UNDERPASS | CITY LIMIT | CHURCH WITH CEMETERY |
| OVERPASS | COUNTY LINE | CENTER |
| DRAW SPAN ON BRIDGE | STATE LINE | FAIRGROUND OR RACETRACK |
| HIGHWAY TUNNEL | INCORPORATED CITY OR VILLAGE (GENERALIZED) | POST OFFICE |
| FORD | CABLE | POWER PLANT |
| INTERSTATE HIGHWAY | RESERVATION OR PARK BOUNDARY | POWER SUBSTATION |
| U.S. NUMBERED HIGHWAY | INSET AREA | PATROL STATION |
| N.C. NUMBERED HIGHWAY | FREE OR TOLL FERRY | CORRECTIONAL OR PENAL INSTN. |
| U.S. NUMBERED BICYCLE ROUTE | CANAL | HIGHWAY GARAGE OR MAINT. YARD |
| N.C. NUMBERED BICYCLE ROUTE | NARROW STREAM | HIGHWAY DIV. OR DIST. OFFICE |
| INTERSTATE INTERCHANGE NUMBER | WIDE STREAM | POWER SUBSTATION |
| SECONDARY ROAD NUMBER | DAM WITH LOCK | PATROL STATION |
| RAILROAD ANY NUMBER OF TRACKS USED BY SINGLE OPERATING COMPANY | DAM | CORRECTIONAL OR PENAL INSTN. |
| RAILROAD ANY NUMBER OF TRACKS USED BY MORE THAN ONE OPERATION COMPANY ON SAME OR ADJACENT RIGHTS-OF-WAY | RESERVOIR, POND, OR LAKE | HIGHWAY GARAGE OR MAINT. YARD |





**ANNUAL AVERAGE
DAILY TRAFFIC**
GENERATED BY THE
TRAFFIC SURVEY GROUP
TRANSPORTATION PLANNING BRANCH

WINSTON-SALEM

INCLUDED IN
FORSYTH COUNTIES

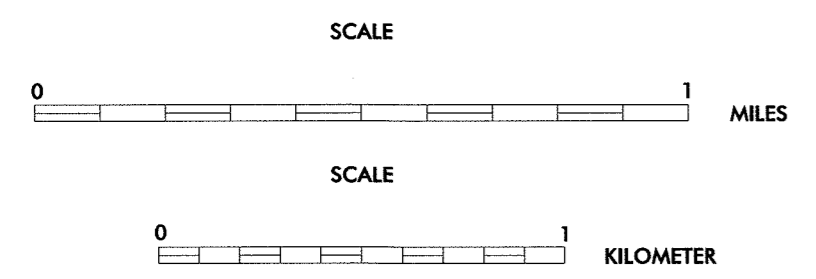
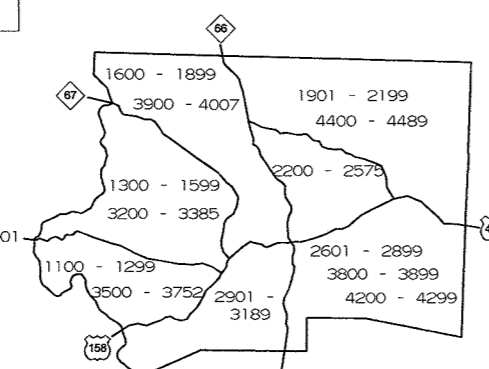
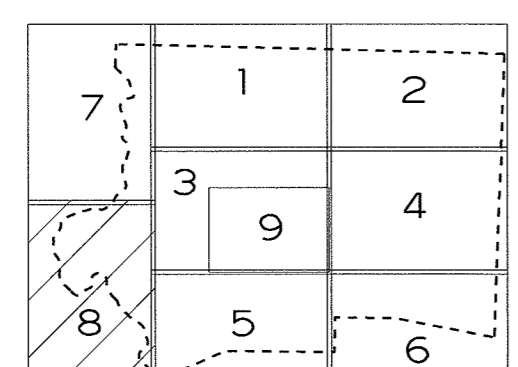
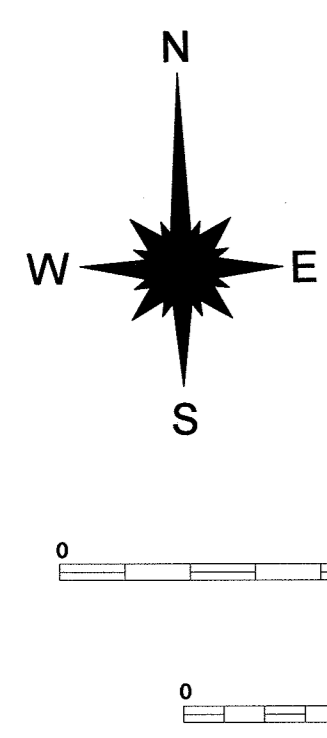
NORTH CAROLINA

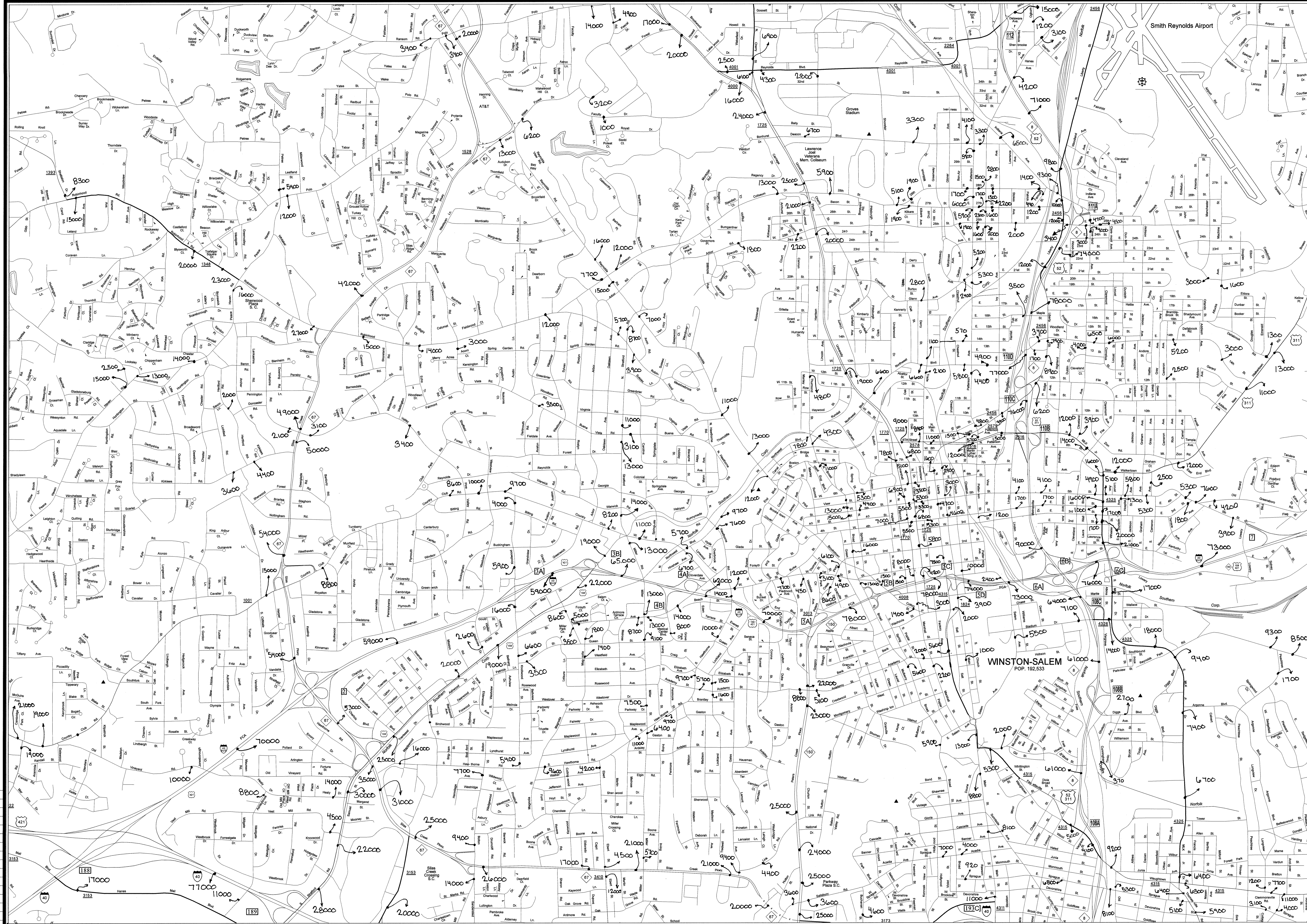
BASE MAPPING PREPARED BY
NORTH CAROLINA DEPARTMENT OF TRANSPORTATION
STATE ROAD MAINTENANCE UNIT
MAPPING & INFORMATION SECTION
IN COOPERATION WITH THE
U.S. DEPARTMENT OF TRANSPORTATION
FEDERAL HIGHWAY ADMINISTRATION

2013

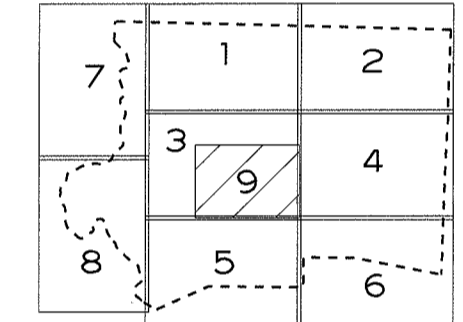
LEGEND

- | | | |
|--------------------------------|-------------------------------|------------------------------------|
| ROAD | RAILROAD STATION | COUNTY SEAT |
| 4 LANE UNDIVIDED HIGHWAY | GRADE CROSSING | COMMUNITY AND TOWN CENTER |
| DIVIDED HIGHWAY | OVERPASS | TOWN HALL |
| FCA | UNDERPASS | SCHOOL |
| FULL CONTROL ACCESS | RAILROAD TUNNEL | COLLEGE OR UNIVERSITY |
| DETACHED HIGHWAY INTERCHANGE | RAILROAD BRIDGE | HOSPITAL |
| ROAD THROUGH MOUNTAIN PASS | UNINCORPORATED CENSUS | CHURCH |
| HIGHWAY BRIDGE | DESIGNATED PLACE | CHURCH WITH CEMETERY |
| OVERPASS | CITY LIMIT | CEMETERY FAIRGROUND OR RACETRACK |
| DRAW SPAN ON BRIDGE | COUNTY LINE | POST OFFICE |
| HIGHWAY TUNNEL | STATE LINE | POWER PLANT |
| FORD | INCORPORATED CITY OR VILLAGE, | PATROL STATION |
| INTERSTATE HIGHWAY | (GENERALIZED) | CORRECTIONAL OR PENAL INSTN. |
| U.S. NUMBERED HIGHWAY | CABLE | HIGHWAY GARAGE OR MAINT. YARD |
| N.C. NUMBERED HIGHWAY | RESERVATION OR PARK BOUNDARY | HIGHWAY DIV. OR DIST. OFFICE |
| U.S. NUMBERED BICYCLE ROUTE | INSET AREA | WEIGHT STATION |
| N.C. NUMBERED BICYCLE ROUTE | FREE OR TOLL FERRY | SWAMP OR MARSH |
| INTERSTATE INTERCHANGE NUMBER | CANAL | GRAVEL PIT OR QUARRY |
| SECONDARY ROAD NUMBER | NARROW STREAM | MONUMENT-SMALL HISTORICAL SITE |
| RAILROAD, ANY NUMBER OF TRACKS | WIDE STREAM | MOUNTAIN PEAK |
| USED BY MORE THAN ONE OPERATOR | DAM WITH LOCK | MINE |
| COMPANY ON SAME OR ADJACENT | DAM | REST AREA |
| RIGHTS-OF-WAY | RESERVOIR, POND, OR LAKE | MUNICIPAL PARK |
| | | TRIANGULATION STATION |
| | | COAST GUARD STATION |
| | | ARMORY |
| | | FEDERAL GAME LAND |
| | | MILITARY AIRFIELD |
| | | COMMERCIAL OR MUNICIPAL FIELD |
| | | HANGAR ON FIELD |
| | | LANDING STRIP |
| | | MARKED AUXILIARY FIELD |
| | | WAREHOUSES OR MANUFACTURING PLANTS |
| | | SHOPPING CENTERS |

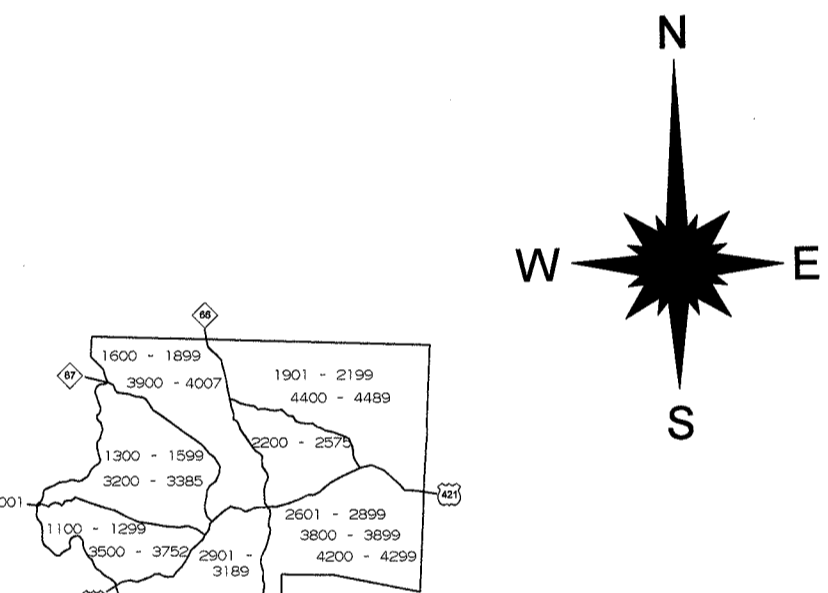




- LEGEND**
- ROAD
 - 4 LANE UNDIVIDED HIGHWAY
 - DIVIDED HIGHWAY
 - FULL CONTROL ACCESS
 - DETAILED HIGHWAY INTERCHANGE
 - ROAD THROUGH MOUNTAIN PASS
 - HIGHWAY BRIDGE
 - UNDERPASS
 - OVERPASS
 - DRAW SPAN ON BRIDGE
 - HIGHWAY TUNNEL
 - FORD
 - INTERSTATE HIGHWAY
 - U.S. NUMBERED HIGHWAY
 - N.C. NUMBERED HIGHWAY
 - U.S. NUMBERED BICYCLE ROUTE
 - N.C. NUMBERED BICYCLE ROUTE
 - INTERSTATE INTERCHANGE NUMBER
 - SECONDARY ROAD NUMBER
 - RAILROAD, ANY NUMBER OF TRACKS USED BY SINGLE OPERATING COMPANY
 - RAILROAD, ANY NUMBER OF TRACKS USED BY MORE THAN ONE OPERATING COMPANY ON SAME OR ADJACENT RIGHTS-OF-WAY
 - RAILROAD STATION
 - GRADE CROSSING
 - UNDERPASS
 - OVERPASS
 - RAILROAD TUNNEL
 - RAILROAD BRIDGE
 - UNINCORPORATED CENSUS DESIGNATED PLACE
 - CITY LIMIT
 - COUNTY LINE
 - STATE LINE
 - INCORPORATED CITY OR VILLAGE, (GENERALIZED)
 - TELETYPE PIPE
 - RES. PARK BDY.
 - CABLE
 - RESERVATION OR PARK BOUNDARY
 - INSET AREA
 - FREE OR TOLL FERRY
 - CANAL
 - NARROW STREAM
 - WIDE STREAM
 - DAM WITH LOCK
 - DAM
 - RESERVOIR, POND, OR LAKE
 - COUNTY SEAT
 - COMMUNITY AND TOWN CENTER
 - TOWN HALL
 - SCHOOL
 - COLLEGE OR UNIVERSITY
 - HOSPITAL
 - CHURCH
 - CHURCH WITH CEMETERY
 - CEMETERY
 - FARMLAND OR RACETRACK
 - POST OFFICE
 - POWER PLANT
 - PATROL STATION
 - CORRECTIONAL OR PENAL INSTN.
 - HIGHWAY GARAGE OR MAINT. YARD
 - HIGHWAY DIV. OR DIST. OFFICE
 - WRIGHT STATION
 - SWAMP OR MARSH
 - GRAVEL PIT OR QUARRY
 - MONUMENT-SMALL HISTORICAL SITE
 - LIGHTHOUSE
 - MOUNTAIN PEAK
 - MINE
 - REST AREA
 - MUNICIPAL PARK
 - TRANQUILIZATION STATION
 - COAST GUARD STATION
 - ARMORY
 - FEDERAL GAME LAND
 - MILITARY AIRFIELD
 - COMMERCIAL OR MUNICIPAL FIELD
 - HANGAR ON FIELD
 - LANDING STRIP
 - MARKED AUXILIARY FIELD
 - WAREHOUSES OR MANUFACTURING PLANTS
 - SHOPPING CENTERS



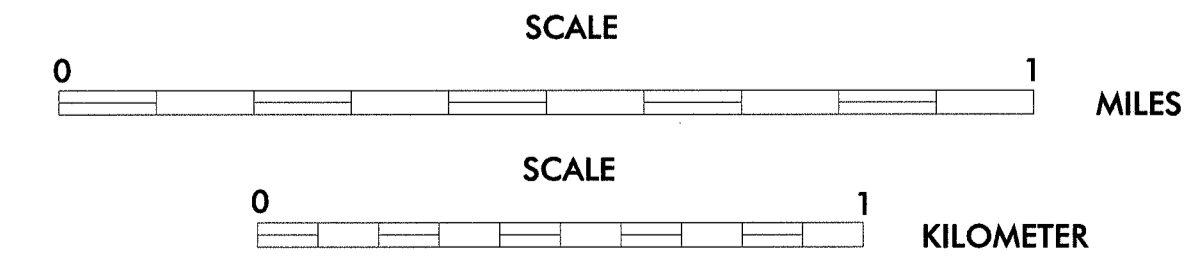
SHEET KEY



2013
ANNUAL AVERAGE
DAILY TRAFFIC
 GENERATED BY THE
TRAFFIC SURVEY GROUP
 TRANSPORTATION PLANNING BRANCH
WINSTON-SALEM
 INCLUDED IN
 FORSYTH COUNTY
NORTH CAROLINA

BASE MAPPING PREPARED BY
NORTH CAROLINA DEPARTMENT OF TRANSPORTATION
 STATE ROAD MAINTENANCE UNIT
 MAPPING & INFORMATION SECTION

IN COOPERATION WITH THE
U.S. DEPARTMENT OF TRANSPORTATION
 FEDERAL HIGHWAY ADMINISTRATION



SHEET 9 OF 9

SHEET 9 OF 9

BASE MAP
REVISED
AUG 2009

1"=1000'=304.8m