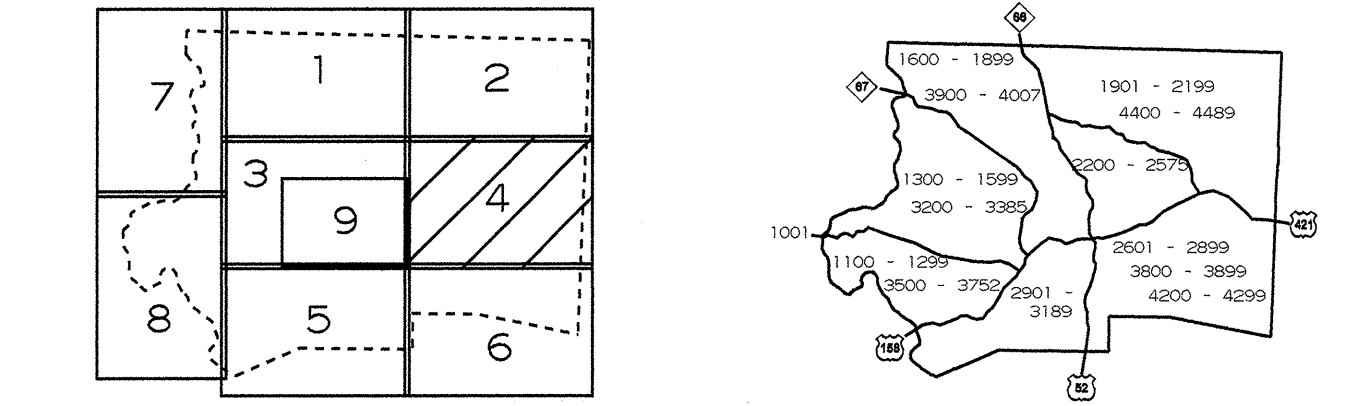


Guilford Co.

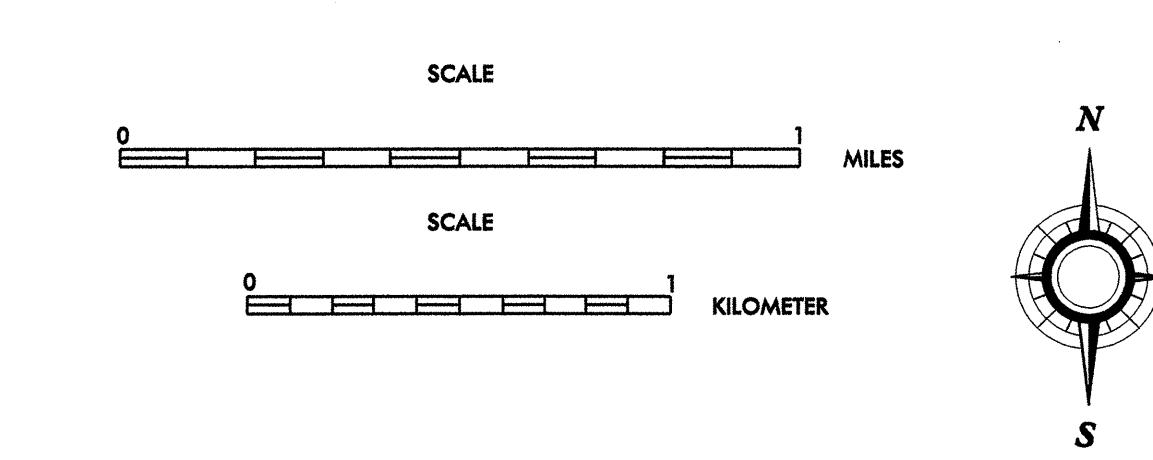
Guilford Co.

- LEGEND
- ROAD
 - 4 LANE UNDIVIDED HIGHWAY
 - DIVIDED HIGHWAY
 - F.C.A.
 - FULL CONTROL ACCESS
 - DETAILED HIGHWAY INTERCHANGE
 - ROAD THROUGH MOUNTAIN PASS
 - HIGHWAY BRIDGE
 - UNDERPASS
 - OVERPASS
 - DRAW SPAN ON BRIDGE
 - HIGHWAY TUNNEL
 - FORD
 - INTERSTATE HIGHWAY
 - U.S. NUMBERED HIGHWAY
 - N.C. NUMBERED HIGHWAY
 - U.S. NUMBERED BICYCLE ROUTE
 - N.C. NUMBERED BICYCLE ROUTE
 - INTERSTATE INTERCHANGE NUMBER
 - SECONDARY ROAD NUMBER
 - RAILROAD ANY NUMBER OF TRACKS USED BY SINGLE OPERATING COMPANY
 - RAILROAD ANY NUMBER OF TRACKS USED BY MORE THAN ONE OPERATION COMPANY ON SAME OR ADJACENT RIGHTS-OF-WAY
 - RAILROAD STATION
 - GRADE CROSSING
 - UNDERPASS
 - OVERPASS
 - RAILROAD TUNNEL
 - RAILROAD BRIDGE
 - UNINCORPORATED CENSUS DESIGNATED PLACE
 - CITY LIMIT
 - COUNTY LINE
 - STATE LINE
 - INCORPORATED CITY OR VILLAGE, (GENERALIZED)
 - TELEPHONE
 - RES. TRANS. BUS.
 - CABLE
 - RESERVATION OR PARK BOUNDARY
 - INSET AREA
 - FREE OR TOLL FERRY
 - CANAL
 - NARROW STREAM
 - WIDE STREAM
 - DAM WITH LOCK
 - DAM
 - RESERVOIR, POND, OR LAKE
 - COUNTY SEAT
 - COMMUNITY AND TOWN CENTER
 - TOWN HALL
 - SCHOOL
 - COLLEGE OR UNIVERSITY
 - HOSPITAL
 - CHURCH
 - CHURCH WITH CEMETERY
 - CEMETERY
 - FAIRGROUND OR RACETRACK
 - POST OFFICE
 - POWER PLANT
 - POWER SUBSTATION
 - PATROL STATION
 - CORRECTIONAL OR PENAL INSTN.
 - HIGHWAY GARAGE OR MAINT. YARD
 - HIGHWAY DIV. OR DIST. OFFICE
 - WEIGHT STATION
 - SWAMP OR MARSH
 - GRAVEL PIT OR QUARRY
 - MONUMENT-SMALL HISTORICAL SITE
 - LIGHTHOUSE
 - MOUNTAIN PEAK
 - MINE
 - REST AREA
 - MUNICIPAL PARK
 - TRIANGULATION STATION
 - COAST GUARD STATION
 - ARMORY
 - FEDERAL GAME LAND
 - MILITARY AIRFIELD
 - COMMERCIAL OR MUNICIPAL FIELD
 - HANGAR ON FIELD
 - LANDING STRIP
 - MARKED AUXILIARY FIELD
 - WAREHOUSES OR MANUFACTURING PLANTS
 - SHOPPING CENTERS



2007
**ANNUAL AVERAGE
 DAILY TRAFFIC**
 PREPARED BY
TRAFFIC SURVEY UNIT
**WINSTON-
 SALEM**
 INCLUDED IN
 FORSYTH COUNTY
NORTH CAROLINA

PREPARED BY
 NORTH CAROLINA DEPARTMENT OF TRANSPORTATION
 DIVISION OF PLANNING AND
 ENVIRONMENTAL - GIS UNIT
 IN COOPERATION WITH THE
 U.S. DEPARTMENT OF TRANSPORTATION
 FEDERAL HIGHWAY ADMINISTRATION



JULY, 2005