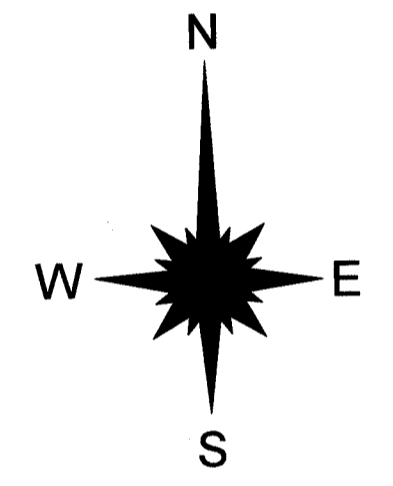
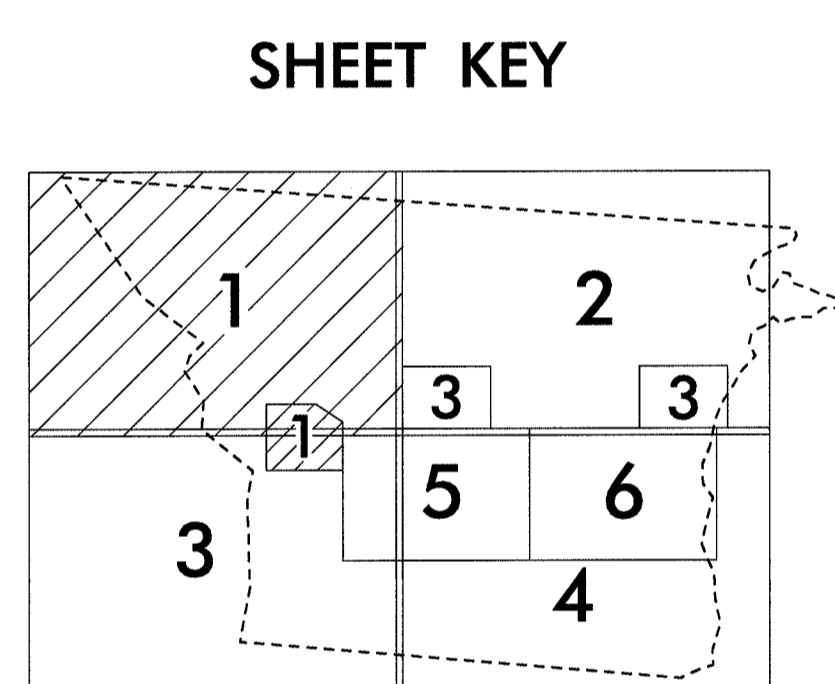


LEGEND

ROAD	TELETYPE PIPE	CABLE
4 LANE UNDIVIDED HIGHWAY	RES. PARK BOY	RESERVATION OR PARK BOUNDARY
DIVIDED HIGHWAY		INSET AREA
FCA		FREE OR TOLL FERRY
FULL CONTROL ACCESS		CANAL
DETAILED HIGHWAY INTERCHANGE		NARROW STREAM
ROAD THROUGH MOUNTAIN PASS		WIDE STREAM
HIGHWAY BRIDGE		DAM WITH LOCK
UNDERPASS		DAM
OVERPASS		RESERVOIR, POND, OR LAKE
DRAW SPAN ON BRIDGE		COUNTY SEAT
HIGHWAY TUNNEL		COMMUNITY AND TOWN CENTER
FORD		TOWN HALL
INTERSTATE HIGHWAY		SCHOOL
U.S. NUMBERED HIGHWAY		COLLEGE OR UNIVERSITY
N.C. NUMBERED HIGHWAY		HOSPITAL
U.S. NUMBERED BICYCLE ROUTE		CHURCH
N.C. NUMBERED BICYCLE ROUTE		CHURCH WITH CEMETERY
INTERSTATE INTERCHANGE NUMBER		CEMETERY
SECONDARY ROAD NUMBER		FAIRGROUND OR RACETRACK
RAILROAD, ANY NUMBER OF TRACKS USED BY SINGLE OPERATING COMPANY		POWER PLANT
RAILROAD, ANY NUMBER OF TRACKS USED BY MORE THAN ONE OPERATING COMPANY ON SAME OR ADJACENT RIGHTS-OF-WAY		PATROL STATION
RAILROAD STATION		CORRECTIONAL OR PENAL INSTN.
GRADE CROSSING		HIGHWAY GARAGE OR MARIT. YARD
UNDERPASS		HIGHWAY DIV. OR DIST. OFFICE
OVERPASS		WEIGHT STATION
RAILROAD TUNNEL		SWAMP OR MARSH
RAILROAD BRIDGE		GRAVEL PIT OR QUARRY
UNINCORPORATED CENSUS DESIGNATED PLACE		MONUMENT-SMALL HISTORICAL SITE
CITY LIMIT		LIGHTHOUSE
COUNTY LINE		MOUNTAIN PEAK
STATE LINE		REST AREA
INCORPORATED CITY OR VILLAGE, (GENERALIZED)		MUNICIPAL PARK
		TRIANGULATION STATION
		COAST GUARD STATION
		ARMORY
		FEDERAL GAME LAND
		MILITARY AIRFIELD
		COMMERCIAL OR MUNICIPAL FIELD
		HANGAR ON FIELD
		LANDING STRIP
		MARKED AUXILIARY FIELD
		WAREHOUSES OR MANUFACTURING PLANTS
		SHOPPING CENTERS

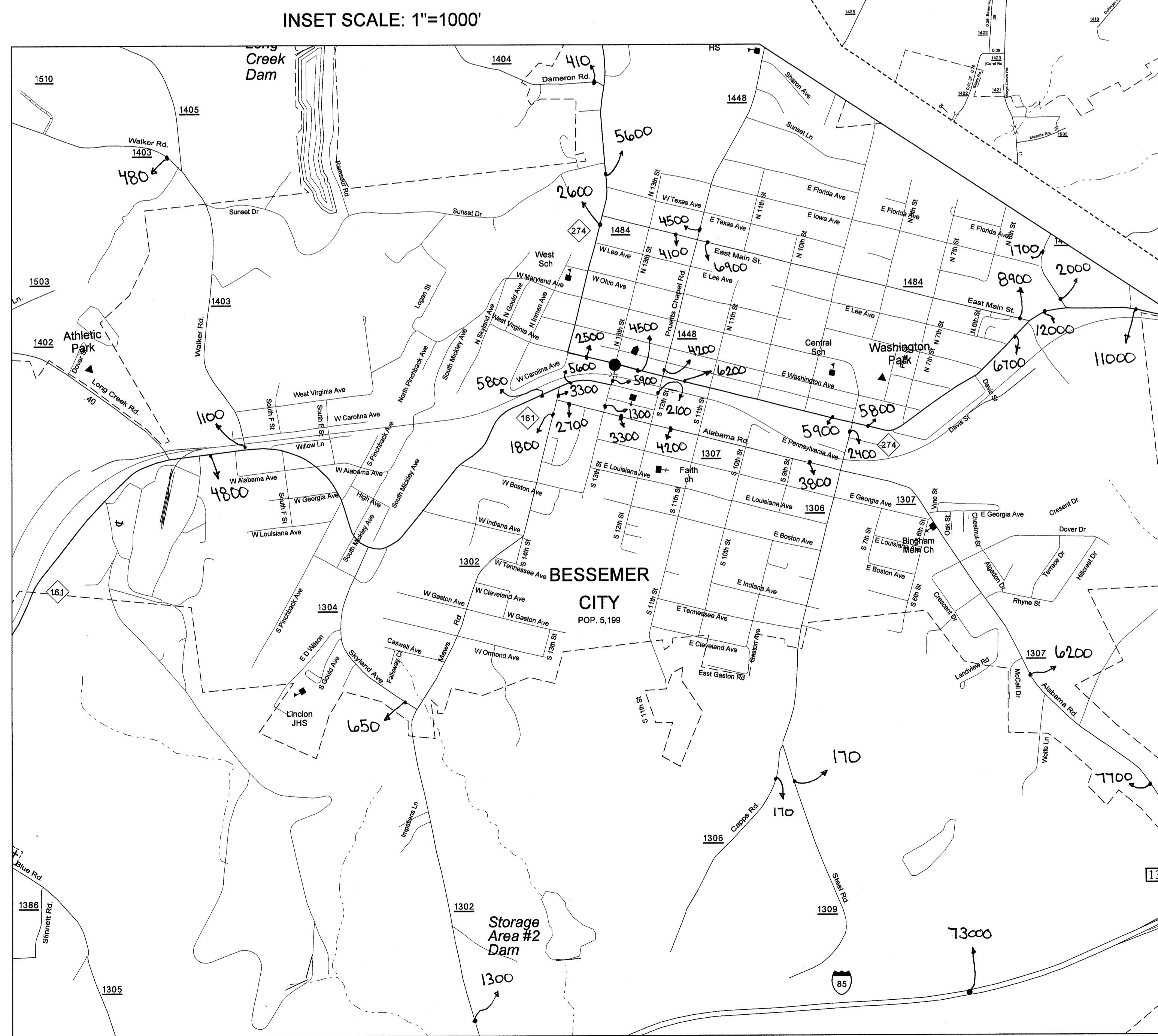
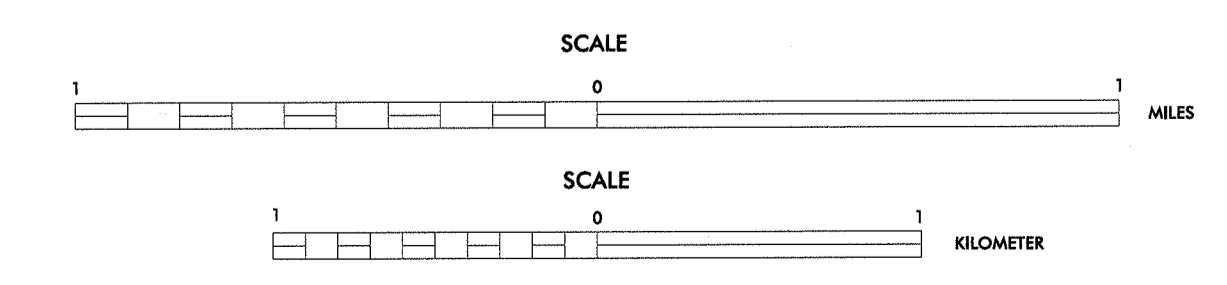


2014
**ANNUAL AVERAGE
 DAILY TRAFFIC**
 GENERATED BY THE
TRAFFIC SURVEY GROUP
 TRANSPORTATION PLANNING BRANCH

GASTONIA
 INCLUDED IN
 GASTON COUNTY
NORTH CAROLINA

BASE MAPPING PREPARED BY
 NORTH CAROLINA DEPARTMENT OF TRANSPORTATION
 STATE ROAD MAINTENANCE UNIT
 MAPPING & INFORMATION SECTION

IN COOPERATION WITH THE
 U.S. DEPARTMENT OF TRANSPORTATION
 FEDERAL HIGHWAY ADMINISTRATION



SEE INSET

SHEET 1 OF 6

BASE MAP
 REVISED
 MAY 2009

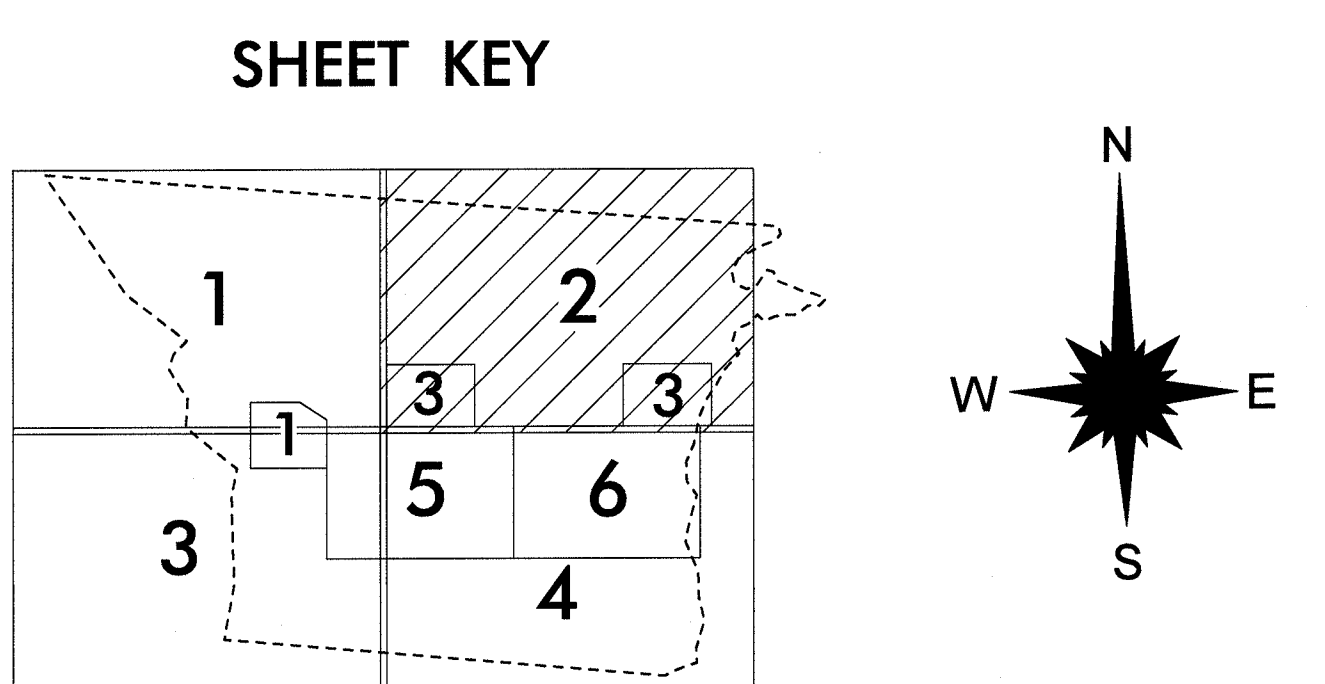
SHEET 1 OF 6

1"=2000'=609.6m



LEGEND

ROAD	4 LANE UNDIVIDED HIGHWAY	DIVIDED HIGHWAY	FCA	FULL CONTROL ACCESS	DETAILED HIGHWAY INTERCHANGE	ROAD THROUGH MOUNTAIN PASS	HIGHWAY BRIDGE	UNDERPASS	OVERPASS	DRAW SPAN ON BRIDGE	HIGHWAY TUNNEL	FORD	INTERSTATE HIGHWAY	U.S. NUMBERED HIGHWAY	N.C. NUMBERED HIGHWAY	U.S. NUMBERED BICYCLE ROUTE	N.C. NUMBERED BICYCLE ROUTE	INTERSTATE INTERCHANGE NUMBER	SECONDARY ROAD NUMBER	RAILROAD ANY NUMBER OF TRACKS USED BY MORE THAN ONE OPERATING COMPANY	RAILROAD ANY NUMBER OF TRACKS USED BY MORE THAN ONE OPERATING COMPANY ON SAME OR ADJACENT RIGHTS-OF-WAY	RAILROAD STATION	GRADE CROSSING	UNDERPASS	OVERPASS	RAILROAD BRIDGE	UNINCORPORATED CENSUS DESIGNATED PLACE	CITY LIMIT	COUNTY LINE	STATE LINE	INCORPORATED CITY OR VILLAGE (GENERALIZED)	CABLE	RESERVATION OR PARK BOUNDARY	INSET AREA	FREE OR TOLL FERRY	CANAL	NARROW STREAM	WIDE STREAM	DAM WITH LOCK	DAM	RESERVOIR, POND, OR LAKE	COUNTY SEAT	COMMUNITY AND TOWN CENTER	TOWN HALL	SCHOOL	COLLEGE OR UNIVERSITY	HOSPITAL	CHURCH	CHURCH WITH CEMETERY	CEMETERY	FAIRGROUND OR RACETRACK	POST OFFICE	POWER PLANT	POWER SUBSTATION	PATROL STATION	CORRECTIONAL OR PENAL INSTN.	HIGHWAY GARAGE OR MAINT. YARD	HIGHWAY DIV. OR DIST. OFFICE	WEIGHT STATION	SWAMP OR MARSH	GRAVEL PIT OR QUARRY	MONUMENT-SMALL HISTORICAL SITE	LIGHTHOUSE	MOUNTAIN PEAK	MINE	REST AREA	MUNICIPAL PARK	TRIANGULATION STATION	COAST GUARD STATION	ARMORY	FEDERAL GAME LAND	MILITARY AIRFIELD	COMMERCIAL OR MUNICIPAL FIELD	HANGAR ON FIELD	LANDING STRIP	MARKED AUXILIARY FIELD	WAREHOUSES OR MANUFACTURING PLANTS	SHOPPING CENTERS
------	--------------------------	-----------------	-----	---------------------	------------------------------	----------------------------	----------------	-----------	----------	---------------------	----------------	------	--------------------	-----------------------	-----------------------	-----------------------------	-----------------------------	-------------------------------	-----------------------	-----------------------------------------------------------------------	---------------------------------------------------------------------------------------------------------	------------------	----------------	-----------	----------	-----------------	----------------------------------------	------------	-------------	------------	--------------------------------------------	-------	------------------------------	------------	--------------------	-------	---------------	-------------	---------------	-----	--------------------------	-------------	---------------------------	-----------	--------	-----------------------	----------	--------	----------------------	----------	-------------------------	-------------	-------------	------------------	----------------	------------------------------	-------------------------------	------------------------------	----------------	----------------	----------------------	--------------------------------	------------	---------------	------	-----------	----------------	-----------------------	---------------------	--------	-------------------	-------------------	-------------------------------	-----------------	---------------	------------------------	------------------------------------	------------------



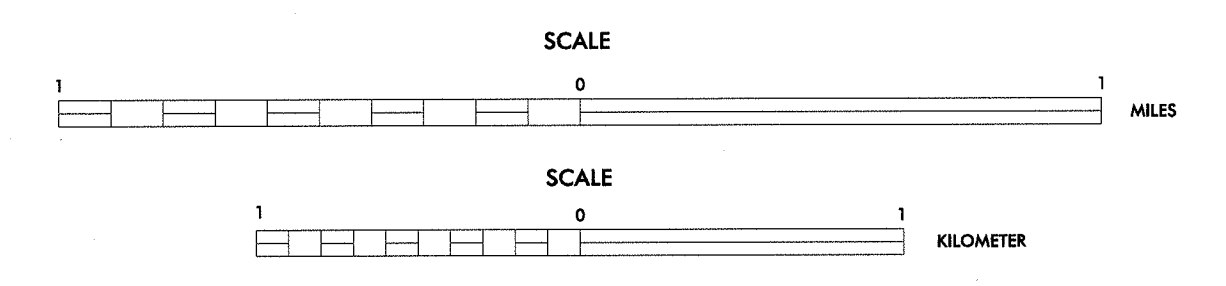
2014
ANNUAL AVERAGE
DAILY TRAFFIC
GENERATED BY THE
TRAFFIC SURVEY GROUP
TRANSPORTATION PLANNING BRANCH

GASTONIA

INCLUDED IN
GASTON COUNTY
NORTH CAROLINA

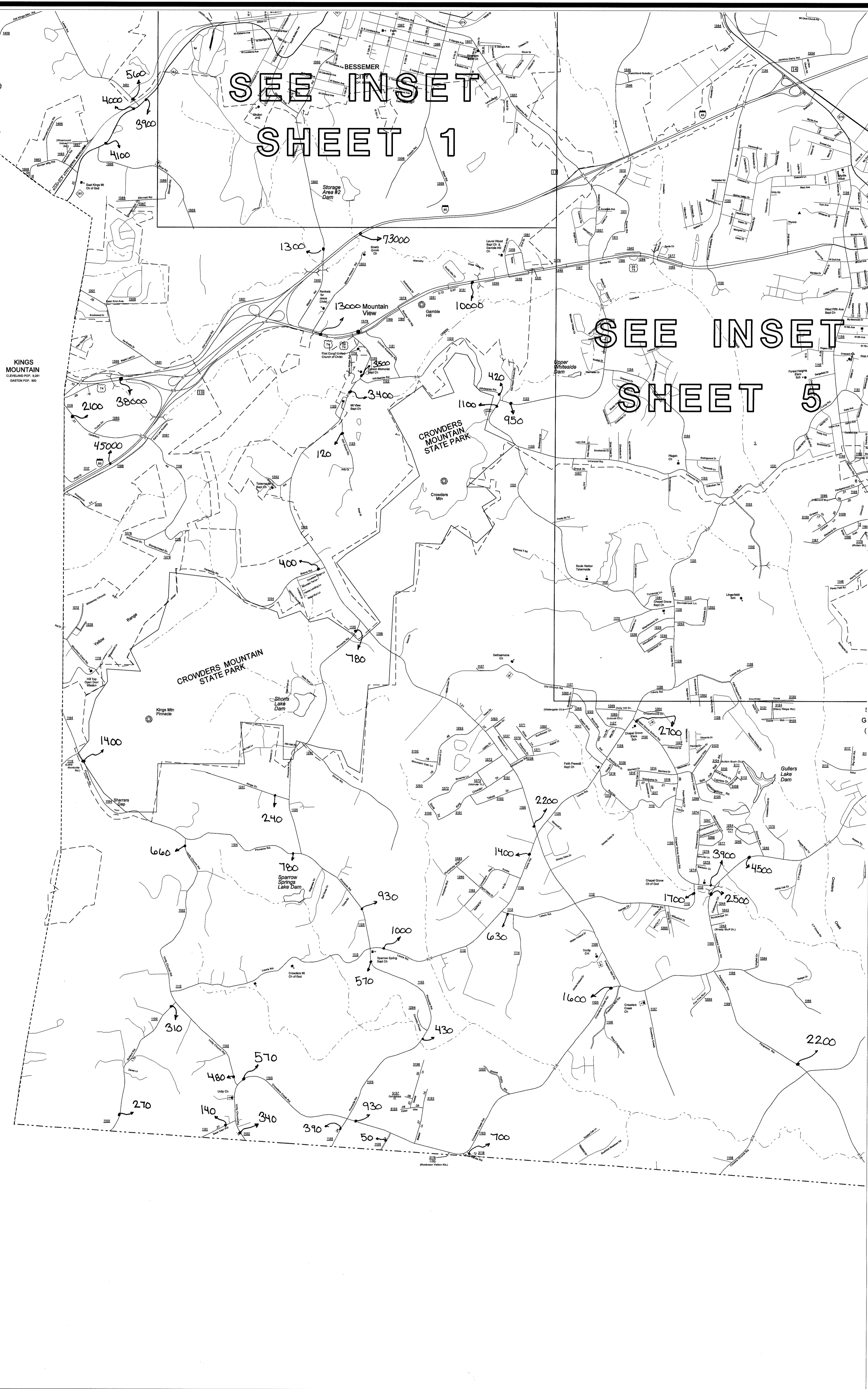
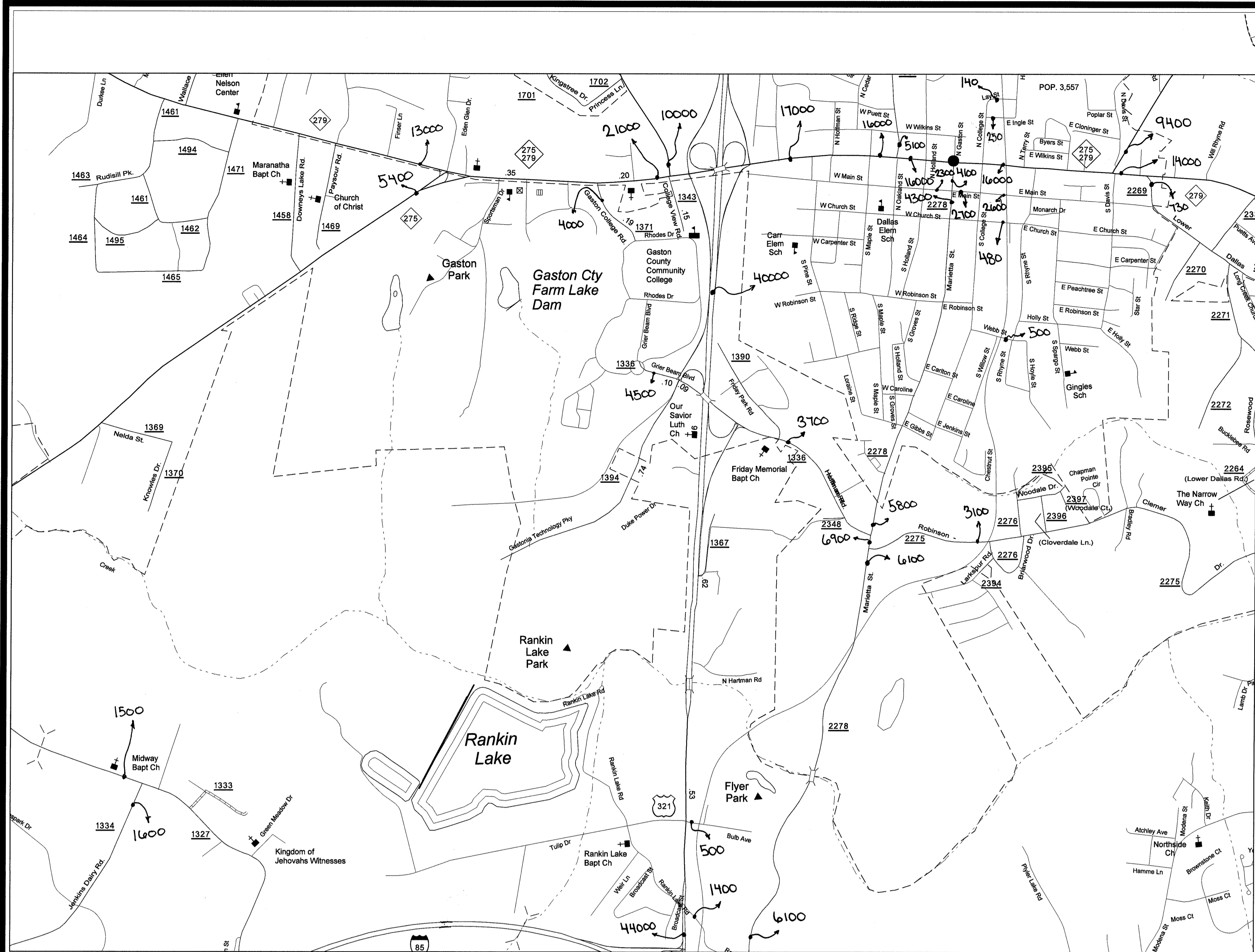
BASE MAPPING PREPARED BY
NORTH CAROLINA DEPARTMENT OF TRANSPORTATION
STATE ROAD MAINTENANCE UNIT
MAPPING & INFORMATION SECTION

IN COOPERATION WITH THE
U.S. DEPARTMENT OF TRANSPORTATION
FEDERAL HIGHWAY ADMINISTRATION



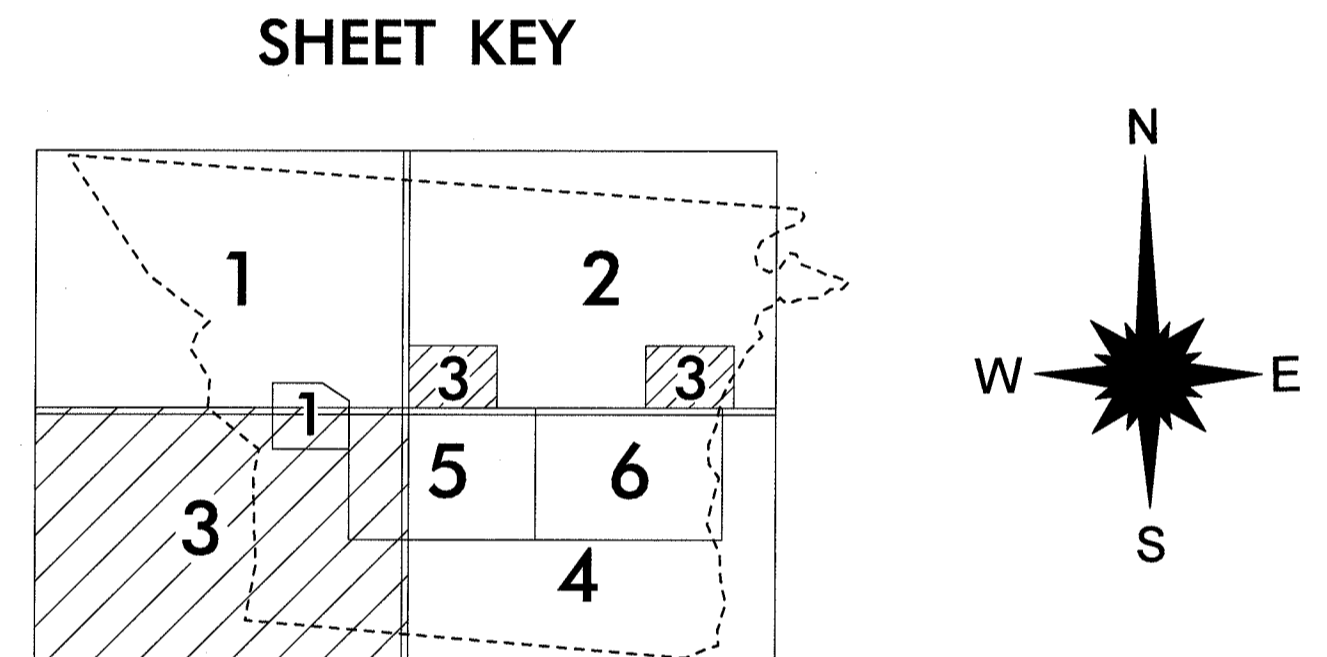
SEE INSET
SHEET 3

SEE INSET
SHEET 3

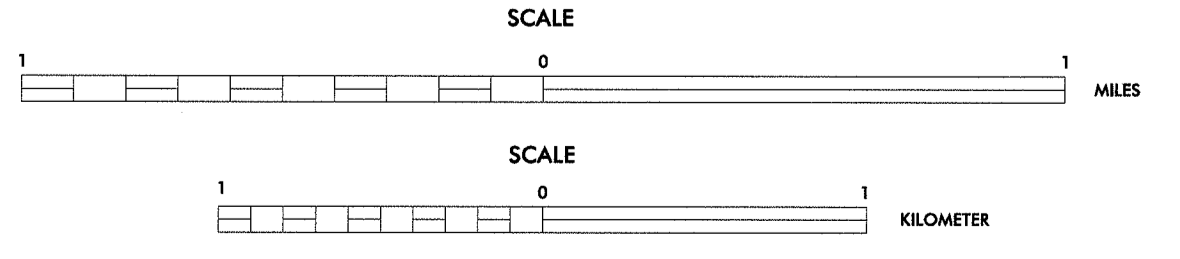


LEGEND

ROAD	TELETYPE	CABLE
4 LANE UNDIVIDED HIGHWAY	RES. PARK BNDY.	RESERVATION OR PARK BOUNDARY
DIVIDED HIGHWAY		INSET AREA
FCA		FREE OR TOLL FERRY
FULL CONTROL ACCESS		CANAL
DETAILED HIGHWAY INTERCHANGE		NARROW STREAM
ROAD THROUGH MOUNTAIN PASS		WIDE STREAM
HIGHWAY BRIDGE		DAM WITH LOCK
UNDERPASS		DAM
OVERPASS		DAM
DRAW SPAN ON BRIDGE		RESERVOR, POND, OR LAKE
HIGHWAY TUNNEL		COUNTY SEAT
FORD		COMMUNITY AND TOWN CENTER
INTERSTATE HIGHWAY		SCHOOL
U.S. NUMBERED HIGHWAY		COLLEGE OR UNIVERSITY
U.S. NUMBERED HIGHWAY		HOSPITAL
N.C. NUMBERED BICYCLE ROUTE		CHURCH WITH CEMETERY
N.C. NUMBERED BICYCLE ROUTE		CEMETERY
INTERSTATE INTERCHANGE NUMBER		FAIRGROUND OR RACETRACK
SECONDARY ROAD NUMBER		POST OFFICE
RAILROAD, ANY NUMBER OF TRACKS USED BY SINGLE OPERATING COMPANY		POWER PLANT
RAILROAD, ANY NUMBER OF TRACKS USED BY MORE THAN ONE OPERATING COMPANY ON SAME OR ADJACENT RIGHTS-OF-WAY		POWER SUBSTATION
RAILROAD STATION		PATROL STATION
GRADE CROSSING		CORRECTIONAL OR PENAL INSTN.
UNDERPASS		HIGHWAY GARAGE OR MAINT. YARD
OVERPASS		HIGHWAY DIV. OR DIST. OFFICE
RAILROAD TUNNEL		WEIGHT STATION
RAILROAD BRIDGE		SWAMP OR MARSH
UNINCORPORATED CENSUS DESIGNATED PLACE		GRAVEL PIT OR QUARRY
CITY LIMIT		MONUMENT-SMALL HISTORICAL SITE
COUNTY LINE		LIGHTHOUSE
STATE LINE		MOUNTAIN PEAK
INCORPORATED CITY OR VILLAGE (GENERALIZED)		MINE
		REST AREA
		MUNICIPAL PARK
		TRIANGULATION STATION
		COAST GUARD STATION
		ANCHOR
		FEDERAL GAME LAND
		MILITARY AIRFIELD
		COMMERCIAL OR MUNICIPAL FIELD
		HANGAR ON FIELD
		LANDING STRIP
		MARKED AUXILIARY FIELD
		WAREHOUSES OR MANUFACTURING PLANTS
		SHOPPING CENTERS



2014
ANNUAL AVERAGE
DAILY TRAFFIC
 GENERATED BY THE
TRAFFIC SURVEY GROUP
TRANSPORTATION PLANNING BRANCH
GASTONIA
 INCLUDED IN
 GASTON COUNTY
NORTH CAROLINA
 BASE MAPPING PREPARED BY
NORTH CAROLINA DEPARTMENT OF TRANSPORTATION
STATE ROAD MAINTENANCE UNIT
MAPPING & INFORMATION SECTION
 IN COOPERATION WITH THE
U.S. DEPARTMENT OF TRANSPORTATION
FEDERAL HIGHWAY ADMINISTRATION



SHEET 3 OF 6

BASE MAP
REVISED
MAY 2009

SHEET 3 OF 6

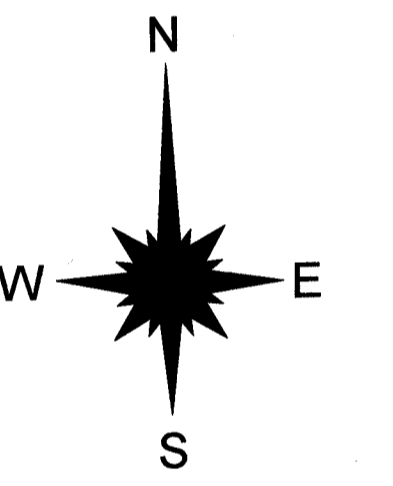
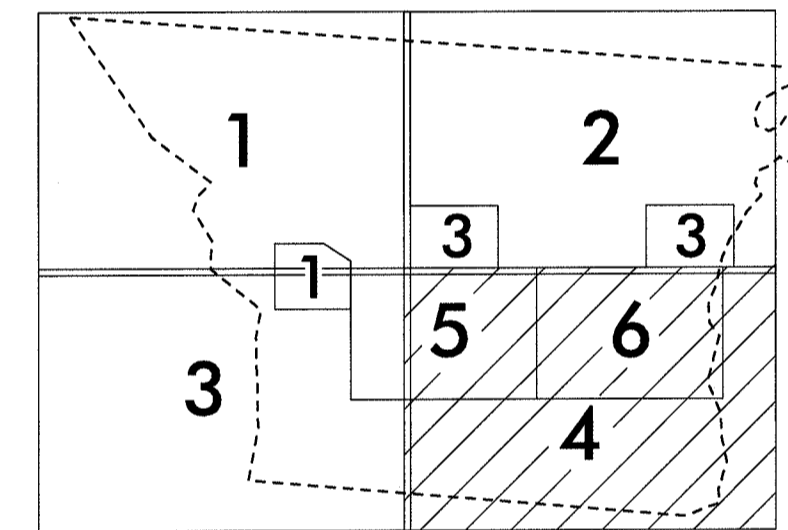
1"=2000'=609.6m



LEGEND

	ROAD 4 LANE UNDIVIDED HIGHWAY		CABLE
	DIVIDED HIGHWAY		RESERVATION OR PARK BOUNDARY
	FULL CONTROL ACCESS		INSET AREA
	DETAILED HIGHWAY INTERCHANGE		FREE OR TOLL FERRY
	ROAD THROUGH MOUNTAIN PASS		CANAL
	HIGHWAY BRIDGE		NARROW STREAM
	UNDERPASS		WIDE STREAM
	OVERPASS		DAM WITH LOCK
	DRAW SPAN ON BRIDGE		DAM
	HIGHWAY TUNNEL		RESERVOIR, POND, OR LAKE
	FORD		COUNTY SEAT
	INTERSTATE HIGHWAY		COMMUNITY AND TOWN CENTER
	U.S. NUMBERED HIGHWAY		TOWN HALL
	N.C. NUMBERED HIGHWAY		SCHOOL
	U.S. NUMBERED BICYCLE ROUTE		COLLEGE OR UNIVERSITY
	N.C. NUMBERED BICYCLE ROUTE		HOSPITAL
	INTERSTATE INTERCHANGE NUMBER		CHURCH
	SECONDARY ROAD NUMBER		CHURCH WITH CEMETERY
	RAILROAD ANY NUMBER OF TRACKS USED BY SINGLE OPERATING COMPANY		CEMETERY
	RAILROAD ANY NUMBER OF TRACKS USED BY MORE THAN ONE OPERATION COMPANY ON SAME OR ADJACENT RIGHTS-OF-WAY		FAIRGROUND OR RACETRACK
	RAILROAD STATION		POST OFFICE
	GRADE CROSSING		POWER PLANT
	UNDERPASS		PATROL STATION
	OVERPASS		CORRECTIONAL OR PENAL INSTN.
	RAILROAD TUNNEL		HIGHWAY GARAGE OR MAINT. YARD
	RAILROAD BRIDGE		HIGHWAY DRY OR DIST. OFFICE
	U.S. BOUNDARY		WEIGHT STATION
	CITY LIMIT		SWAMP OR MARSH
	COUNTY LINE		GRAVEL PIT OR QUARRY
	STATE LINE		MONUMENT - SMALL HISTORICAL SITE
	INCORPORATED CITY OR VILLAGE (GENERALIZED)		LIGHTHOUSE
			MOUNTAIN PEAK
			MINE
			REST AREA
			MUNICIPAL PARK
			TRIANGULATION STATION
			COAST GUARD STATION
			ADMIRALTY
			FEDERAL GAME LAND
			MILITARY AIRFIELD
			COMMERCIAL OR MUNICIPAL FIELD
			HANGAR OR FIELD
			LANDING STRIP
			MARKED AUXILIARY FIELD
			WAREHOUSES OR MANUFACTURING PLANTS
			SHOPPING CENTERS

SHEET KEY

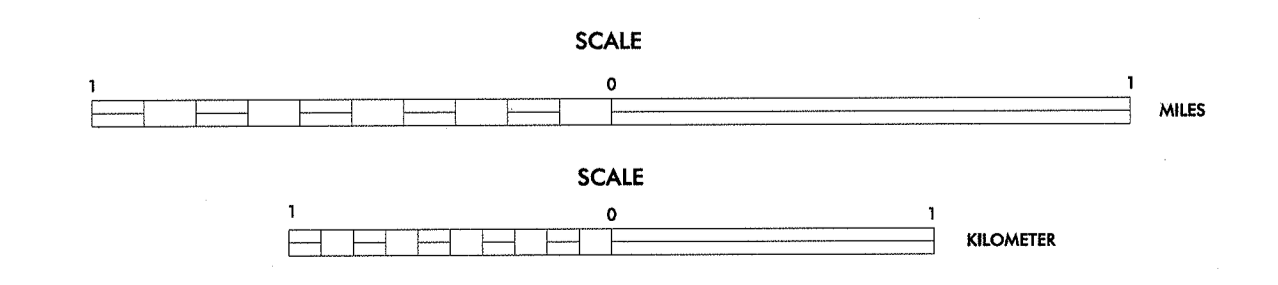


2014
ANNUAL AVERAGE
DAILY TRAFFIC
GENERATED BY THE
TRAFFIC SURVEY GROUP
TRANSPORTATION PLANNING BRANCH

GASTONIA
INCLUDED IN
GASTON COUNTY
NORTH CAROLINA

BASE MAPPING PREPARED BY
NORTH CAROLINA DEPARTMENT OF TRANSPORTATION
STATE ROAD MAINTENANCE UNIT
MAPPING & INFORMATION SECTION

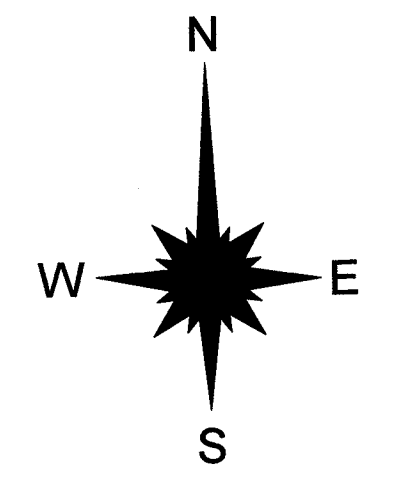
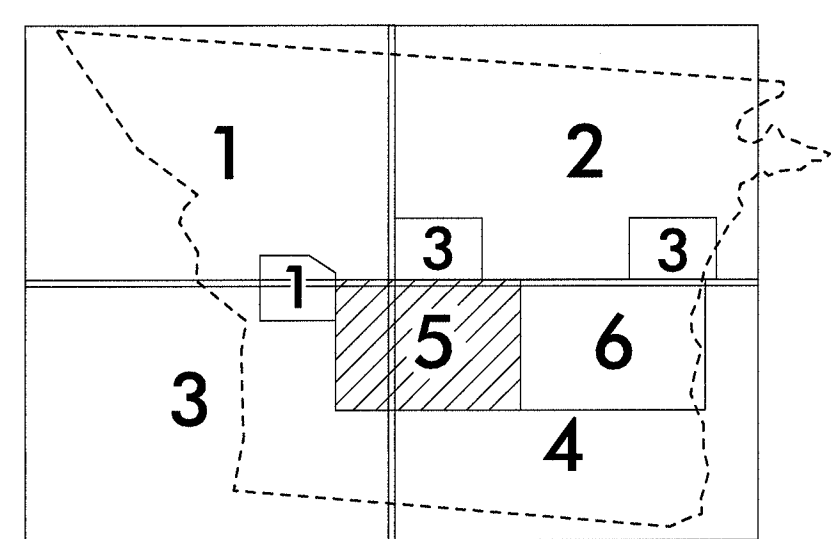
IN COOPERATION WITH THE
U.S. DEPARTMENT OF TRANSPORTATION
FEDERAL HIGHWAY ADMINISTRATION





- LEGEND**
- ROAD
 - 4 LANE UNDIVIDED HIGHWAY
 - DIVIDED HIGHWAY
 - FULL CONTROL ACCESS
 - DETAILED HIGHWAY INTERCHANGE
 - ROAD THROUGH MOUNTAIN PASS
 - HIGHWAY BRIDGE
 - UNDERPASS
 - OVERPASS
 - DRAW SPAN ON BRIDGE
 - HIGHWAY TUNNEL
 - FORD
 - INTERSTATE HIGHWAY
 - U.S. NUMBERED HIGHWAY
 - N.C. NUMBERED HIGHWAY
 - U.S. NUMBERED BIROUTE
 - N.C. NUMBERED BIROUTE
 - INTERSTATE INTERCHANGE NUMBER
 - SECONDARY ROAD NUMBER
 - RAILROAD, ANY NUMBER OF TRACKS USED BY SINGLE OPERATING COMPANY
 - RAILROAD, ANY NUMBER OF TRACKS USED BY MORE THAN ONE OPERATION COMPANY ON SAME OR ADJACENT RIGHTS-OF-WAY
 - RAILROAD STATION
 - GRADE CROSSING
 - UNDERPASS
 - OVERPASS
 - RAILROAD TUNNEL
 - RAILROAD BRIDGE
 - UNINCORPORATED CENSUS DESIGNATED PLACE
 - CITY LIMIT
 - COUNTY LINE
 - STATE LINE
 - INCORPORATED CITY OR VILLAGE, (GENERALIZED)
 - CABLE
 - RESERVATION OR PARK BOUNDARY
 - INSET AREA
 - FREE OR TOLL FERRY
 - CANAL
 - NARROW STREAM
 - WIDE STREAM
 - DAM WITH LOCK
 - DAM
 - RESERVOIR, POND, OR LAKE
 - COUNTY SEAT
 - COMMUNITY AND TOWN CENTER
 - TOWN HALL
 - SCHOOL
 - COLLEGE OR UNIVERSITY
 - HOSPITAL
 - CHURCH
 - CHURCH WITH CEMETERY
 - CENTER
 - FARGROUND OR RACETRACK
 - POST OFFICE
 - POWER PLANT
 - POWER SUBSTATION
 - PATROL STATION
 - CORRECTIONAL OR PENAL INSTN.
 - HIGHWAY GARAGE OR MAINT. YARD
 - HIGHWAY DRY OR DIST. OFFICE
 - WEIGHT STATION
 - SWAMP OR MARSH
 - GRAVEL PIT OR QUARRY
 - MONUMENT-SMALL HISTORICAL SITE
 - LIGHTHOUSE
 - MOUNTAIN PEAK
 - EST. AREA
 - MUNICIPAL PARK
 - TRIANGULATION STATION
 - COAST GUARD STATION
 - ARMORY
 - FEDERAL GAME LAND
 - MILITARY AIRFIELD
 - COMMERCIAL OR MUNICIPAL FIELD
 - HANGAR ON FIELD
 - LANDING STRIP
 - MARRED AIDILIARY FIELD
 - WAREHOUSES OR MANUFACTURING PLANTS
 - SHOPPING CENTERS

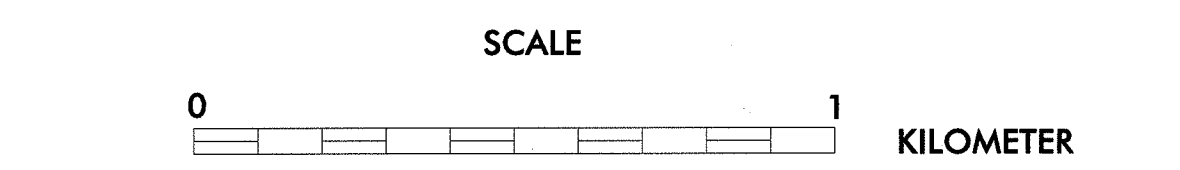
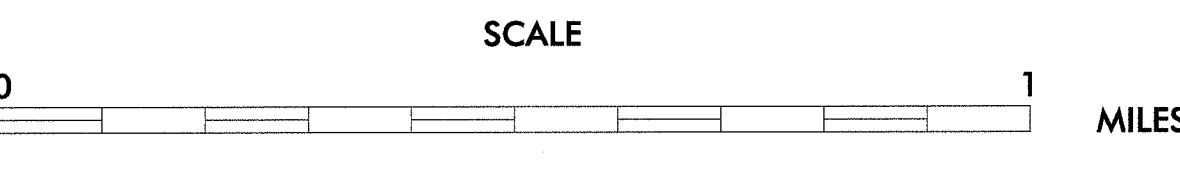
SHEET KEY



2014
ANNUAL AVERAGE
DAILY TRAFFIC
 GENERATED BY THE
TRAFFIC SURVEY GROUP
TRANSPORTATION PLANNING BRANCH

GASTONIA
 INCLUDED IN
 GASTON COUNTY
NORTH CAROLINA
 BASE MAPPING PREPARED BY
NORTH CAROLINA DEPARTMENT OF TRANSPORTATION
STATE ROAD MAINTENANCE UNIT
MAPPING & INFORMATION SECTION

IN COOPERATION WITH THE
U.S. DEPARTMENT OF TRANSPORTATION
FEDERAL HIGHWAY ADMINISTRATION



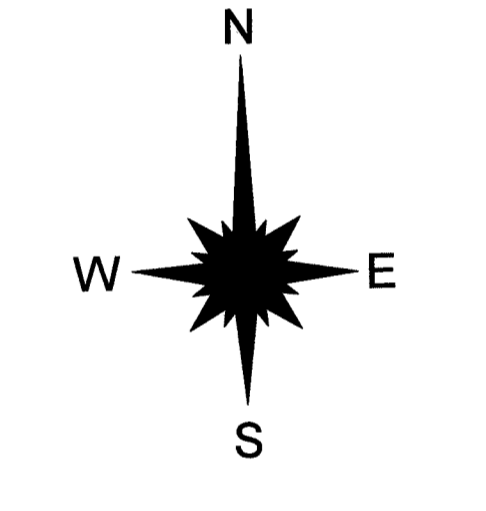
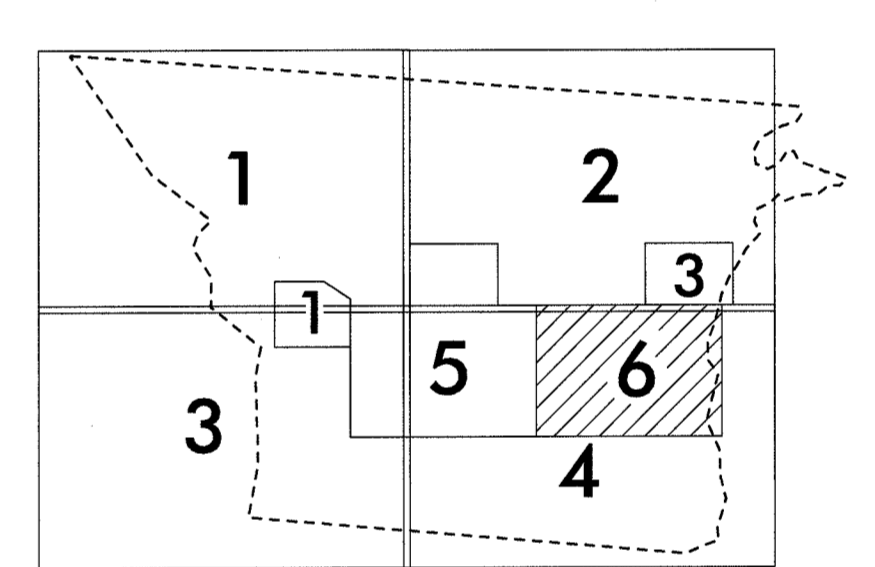
1"=1000'=304.8m

BASE MAP
REVISED
MAY 2009

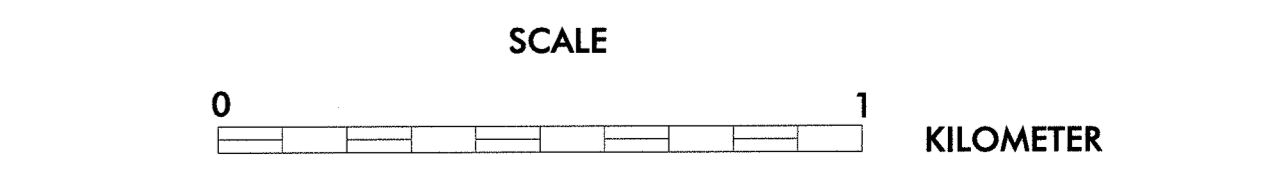
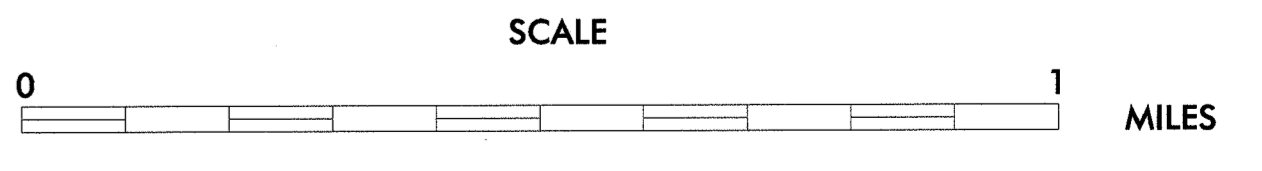


- LEGEND**
- ROAD
 - 4 LANE UNDIVIDED HIGHWAY
 - DIVIDED HIGHWAY
 - FCA
 - FULL CONTROL ACCESS
 - DETAILED HIGHWAY INTERCHANGE
 - ROAD THROUGH MOUNTAIN PASS
 - HIGHWAY BRIDGE
 - UNDERPASS
 - OVERPASS
 - DRAW SPAN ON BRIDGE
 - HIGHWAY TUNNEL
 - FORD
 - INTERSTATE HIGHWAY
 - U.S. NUMBERED HIGHWAY
 - N.C. NUMBERED HIGHWAY
 - U.S. NUMBERED BICYCLE ROUTE
 - N.C. NUMBERED BICYCLE ROUTE
 - INTERSTATE INTERCHANGE NUMBER
 - SECONDARY ROAD NUMBER
 - RAILROAD ANY NUMBER OF TRACKS USED BY SINGLE OPERATING COMPANY
 - RAILROAD ANY NUMBER OF TRACKS USED BY MORE THAN ONE OPERATION COMPANY ON SAME OR ADJACENT RIGHTS-OF-WAY
 - RAILROAD STATION
 - GRADE CROSSING
 - UNDERPASS
 - OVERPASS
 - RAILROAD TUNNEL
 - RAILROAD BRIDGE
 - UNINCORPORATED CENSUS DESIGNATED PLACE
 - CITY LIMIT
 - COUNTY LINE
 - STATE LINE
 - INCORPORATED CITY OR VILLAGE, (GENERALIZED)
 - TELEPHONE PIPE
 - RES. / PARK BDL.
 - CABLE
 - RESERVATION OR PARK BOUNDARY
 - INSET AREA
 - FREE OR TOLL FERRY
 - CANAL
 - NARROW STREAM
 - WIDE STREAM
 - DAM WITH LOCK
 - DAM
 - RESERVOIR, POND, OR LAKE
 - COUNTY SEAT
 - COMMUNITY AND TOWN CENTER
 - TOWN HALL
 - SCHOOL
 - COLLEGE OR UNIVERSITY
 - HOSPITAL
 - CHURCH
 - CHURCH WITH CEMETERY
 - CEMETERY
 - FAIRGROUND OR RACETRACK
 - POST OFFICE
 - POWER PLANT
 - POWER SUBSTATION
 - PATROL STATION
 - CORRECTIONAL OR PENAL INSTN.
 - HIGHWAY GARAGE OR MAINT. YARD
 - HIGHWAY DIV. OR DIST. OFFICE
 - WEIGHT STATION
 - SWAMP OR MARSH
 - GRAVEL PIT OR QUARRY
 - MONUMENT-SMALL HISTORICAL SITE
 - LIGHTHOUSE
 - MOUNTAIN PEAK
 - RAILROAD
 - REST AREA
 - MUNICIPAL PARK
 - TRIANGULATION STATION
 - COAST GUARD STATION
 - ARMORY
 - FEDERAL GAME LAND
 - MILITARY AIRFIELD
 - COMMERCIAL OR MUNICIPAL FIELD
 - HANGAR OR FIELD
 - LANDING STRIP
 - MARKED AUXILIARY FIELD
 - WAREHOUSES OR MANUFACTURING PLANTS
 - SHOPPING CENTERS

SHEET KEY



2014
ANNUAL AVERAGE
DAILY TRAFFIC
 GENERATED BY THE
TRAFFIC SURVEY GROUP
TRANSPORTATION PLANNING BRANCH
GASTONIA
 INCLUDED IN
 GASTON COUNTY
NORTH CAROLINA
 BASE MAPPING PREPARED BY
NORTH CAROLINA DEPARTMENT OF TRANSPORTATION
STATE ROAD MAINTENANCE UNIT
MAPPING & INFORMATION SECTION
 IN COOPERATION WITH THE
U.S. DEPARTMENT OF TRANSPORTATION
FEDERAL HIGHWAY ADMINISTRATION



SHEET 6 OF 6

1" = 1000' = 304.8m

SHEET 6 OF 6

BASE MAP
REVISED
MAY 2009