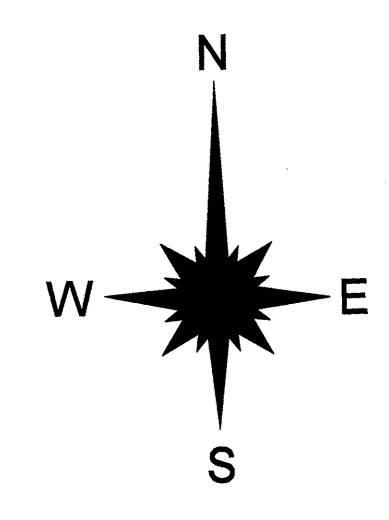
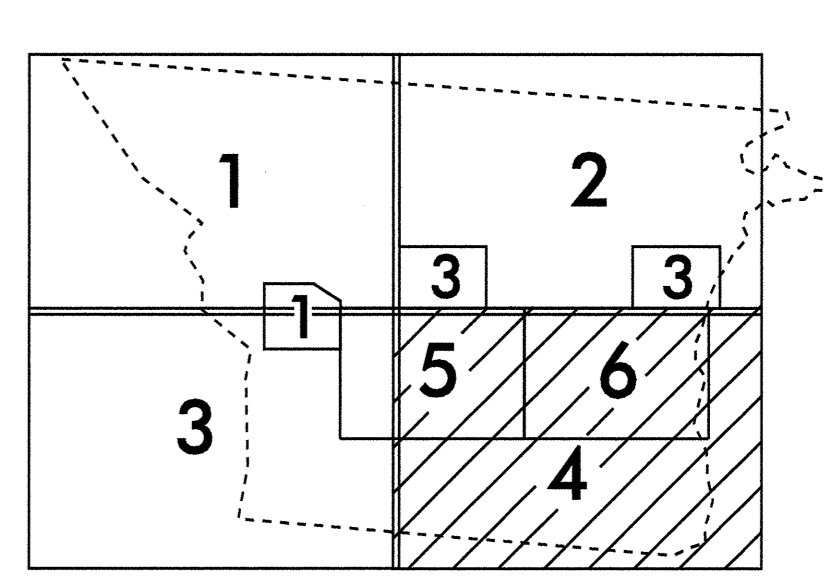




LEGEND

ROAD	4 LANE UNDIVIDED HIGHWAY	DIVIDED HIGHWAY	FULL CONTROL ACCESS	DETAILED HIGHWAY INTERCHANGE	ROAD THROUGH MOUNTAIN PASS	HIGHWAY BRIDGE	UNDERPASS	OVERPASS	DRAW SPAN ON BRIDGE	HIGHWAY TUNNEL	FORD	INTERSTATE HIGHWAY	U.S. NUMBERED HIGHWAY	N.C. NUMBERED HIGHWAY	U.S. NUMBERED BICYCLE ROUTE	N.C. NUMBERED BICYCLE ROUTE	INTERSTATE INTERCHANGE NUMBER	SECONDARY ROAD NUMBER	RAILROAD, ANY NUMBER OF TRACKS USED BY SINGLE OPERATING COMPANY	RAILROAD, ANY NUMBER OF TRACKS USED BY MORE THAN ONE OPERATING COMPANY ON SAME OR ADJACENT RIGHTS-OF-WAY	RAILROAD STATION	GRADE CROSSING	UNDERPASS	OVERPASS	RAILROAD BRIDGE	RAILROAD TUNNEL	UNINCORPORATED CENSUS DESIGNATED PLACE	CITY LIMIT	COUNTY LINE	STATE LINE	INCORPORATED CITY OR VILLAGE, (GENERALIZED)	TEL-ELECT/PIPE	RES. PARK, BOY.	CABLE	RESERVATION OR PARK BOUNDARY	INSET AREA	FREE OR TOLL FERRY	CANAL	NARROW STREAM	WIDE STREAM	DAM WITH LOCK	DAM	RESERVOIR, POND, OR LAKE	COUNTY SEAT	COMMUNITY AND TOWN CENTER	TOWN HALL	SCHOOL	COLLEGE OR UNIVERSITY	HOSPITAL	CHURCH WITH CEMETERY	CEMETERY	FAIRGROUND OR RACETRACK	POST OFFICE	POWER PLANT	PATROL STATION	CORRECTIONAL OR PENAL INSTN.	HIGHWAY GARAGE OR MAINT. YARD	HIGHWAY DIV. OR DIST. OFFICE	WEIGHT STATION	SWAMP OR MARSH	GRAVEL PIT OR QUARRY	MOUNDMENT-SMALL HISTORICAL SITE	LIGHTHOUSE	MOUNTAIN PEAK	MINE	REST AREA	MUNICIPAL PARK	TRIANGULATION STATION	COAST GUARD STATION	ANCHOR	FEDERAL GAME LAND	MILITARY AIRFIELD	COMMERCIAL OR MUNICIPAL FIELD	HANGAR ON FIELD	LANDING STRIP	MARKED AUXILIARY FIELD	WAREHOUSES OR MANUFACTURING PLANTS	SHOPPING CENTERS
------	--------------------------	-----------------	---------------------	------------------------------	----------------------------	----------------	-----------	----------	---------------------	----------------	------	--------------------	-----------------------	-----------------------	-----------------------------	-----------------------------	-------------------------------	-----------------------	---	--	------------------	----------------	-----------	----------	-----------------	-----------------	--	------------	-------------	------------	---	----------------	-----------------	-------	------------------------------	------------	--------------------	-------	---------------	-------------	---------------	-----	--------------------------	-------------	---------------------------	-----------	--------	-----------------------	----------	----------------------	----------	-------------------------	-------------	-------------	----------------	------------------------------	-------------------------------	------------------------------	----------------	----------------	----------------------	---------------------------------	------------	---------------	------	-----------	----------------	-----------------------	---------------------	--------	-------------------	-------------------	-------------------------------	-----------------	---------------	------------------------	------------------------------------	------------------

SHEET KEY

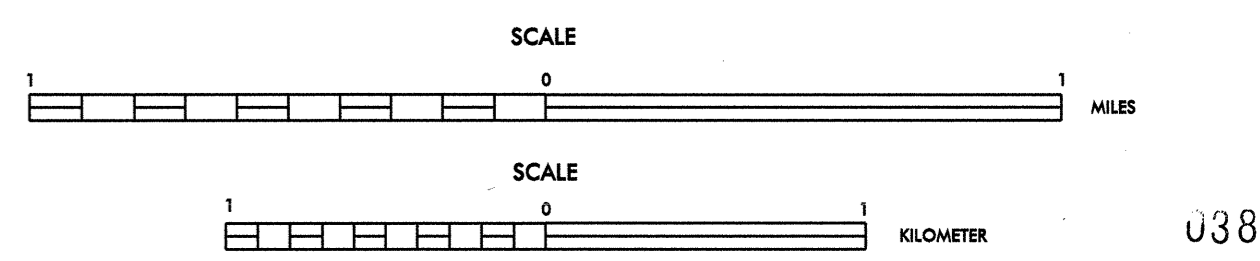


2008  
ANNUAL AVERAGE  
DAILY TRAFFIC  
GENERATED BY THE  
TRAFFIC SURVEY GROUP  
TRANSPORTATION PLANNING BRANCH

**GASTONIA**  
INCLUDED IN  
GASTON COUNTY  
**NORTH CAROLINA**

BASE MAPPING PREPARED BY  
NORTH CAROLINA DEPARTMENT OF TRANSPORTATION  
STATE ROAD MAINTENANCE UNIT  
MAPPING & INFORMATION SECTION

IN COOPERATION WITH THE  
U.S. DEPARTMENT OF TRANSPORTATION  
FEDERAL HIGHWAY ADMINISTRATION



038

1"=2000'=609.6m

BASE MAP  
REVISED  
MAY 2009