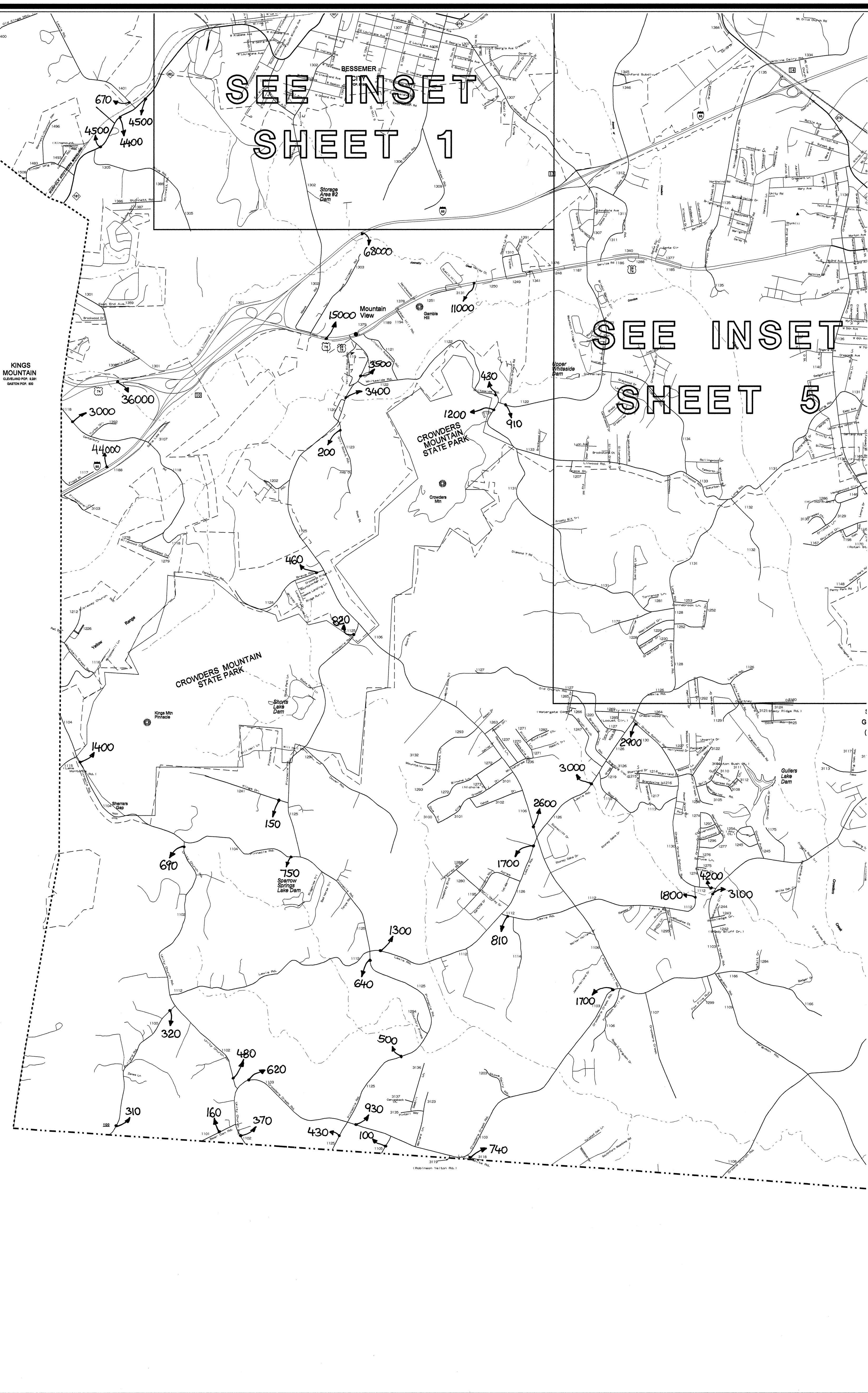
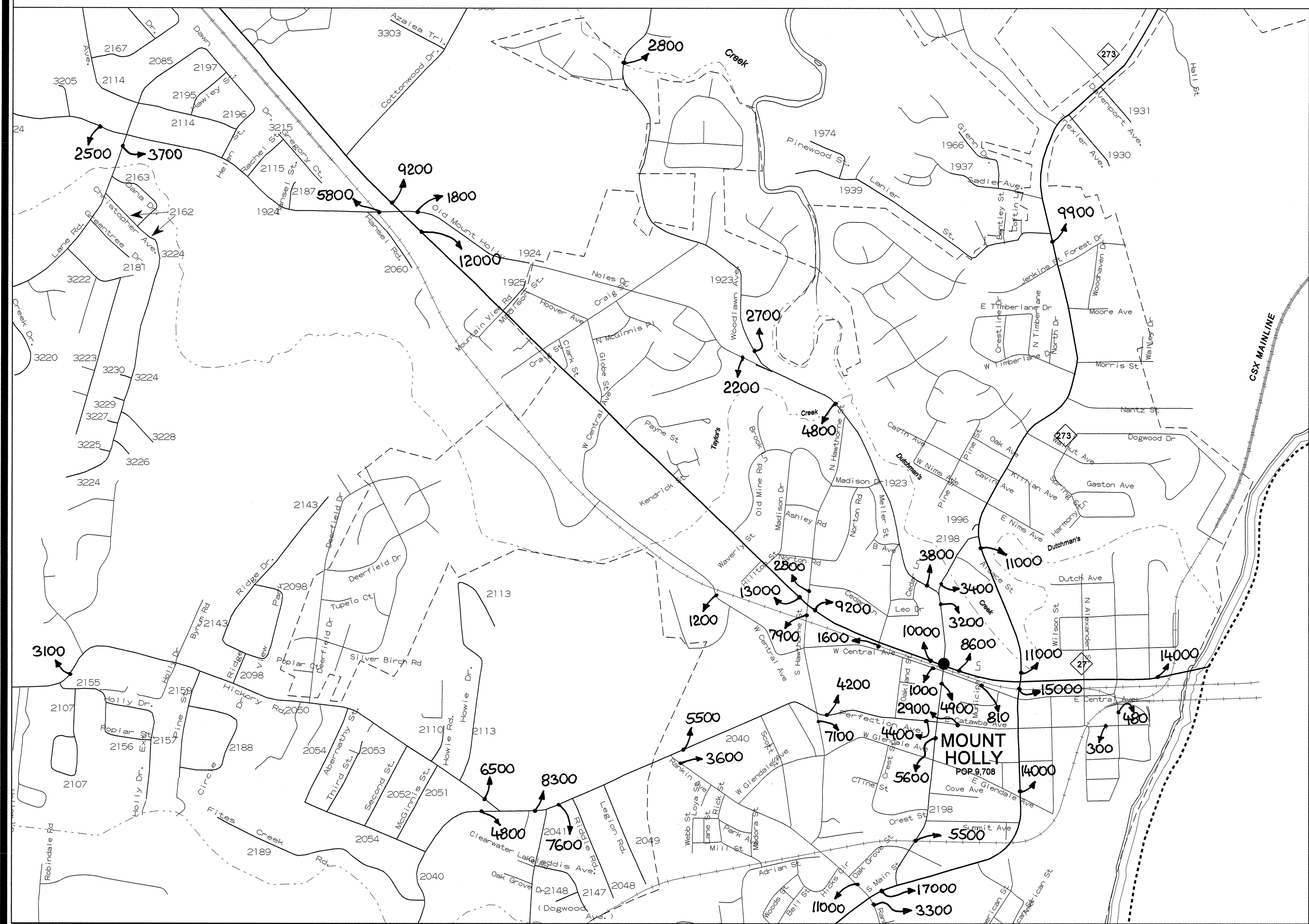


INSET SCALE: 1"=1000'

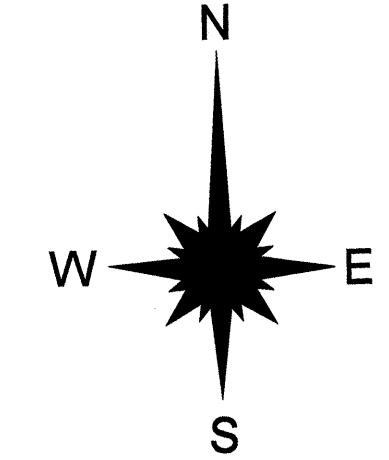
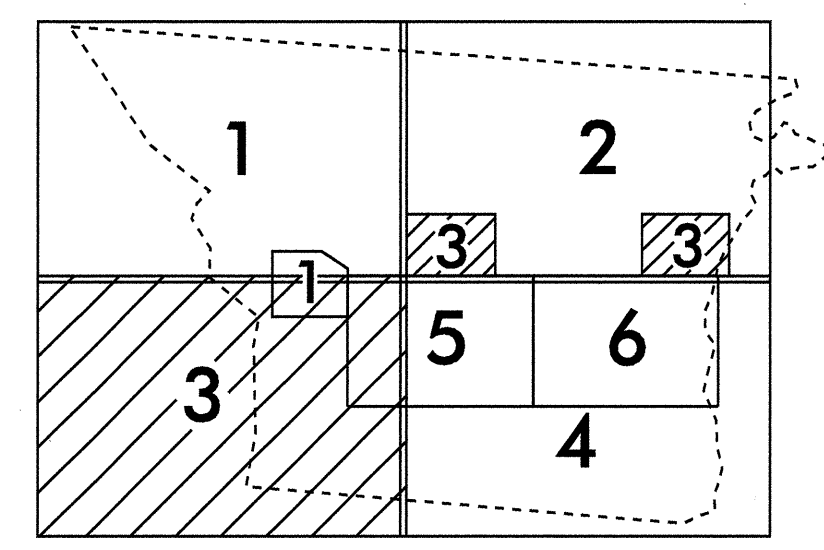


SEE INSET SHEET 1

SEE INSET SHEET 5

- LEGEND**
- ROAD
 - 4 LANE UNDIVIDED HIGHWAY
 - DIVIDED HIGHWAY
 - FCA FULL CONTROL ACCESS
 - DETAILED HIGHWAY INTERCHANGE
 - ROAD THROUGH MOUNTAIN PASS
 - HIGHWAY BRIDGE
 - UNDERPASS
 - OVERPASS
 - DRAW SPAN ON BRIDGE
 - HIGHWAY TUNNEL
 - FORD
 - INTERSTATE HIGHWAY
 - U.S. NUMBERED HIGHWAY
 - N.C. NUMBERED HIGHWAY
 - U.S. NUMBERED BI-CYCLE ROUTE
 - N.C. NUMBERED BI-CYCLE ROUTE
 - INTERSTATE INTERCHANGE NUMBER
 - SECONDARY ROAD NUMBER
 - RAILROAD, ANY NUMBER OF TRACKS USED BY SINGLE OPERATING COMPANY
 - RAILROAD, ANY NUMBER OF TRACKS USED BY MORE THAN ONE OPERATING COMPANY ON SAME OR ADJACENT RIGHTS-OF-WAY
 - RAILROAD STATION
 - GRADE CROSSING
 - UNDERPASS
 - OVERPASS
 - RAILROAD TUNNEL
 - RAILROAD BRIDGE
 - UNINCORPORATED CENSUS DESIGNATED PLACE
 - CITY LIMIT
 - COUNTY LINE
 - STATE LINE
 - INCORPORATED CITY OR VILLAGE, (GENERALIZED)
 - TEL./ELECT./PIPE
 - RES. / PARK BLD.
 - CABLE
 - RESERVATION OR PARK BOUNDARY
 - INSET AREA
 - FREE OR TOLL FERRY
 - CANAL
 - NARROW STREAM
 - WIDE STREAM
 - DAM WITH LOCK
 - DAM
 - RESERVOIR, POND, OR LAKE
 - COUNTY SEAT
 - COMMUNITY AND TOWN CENTER
 - TOWN HALL
 - SCHOOL
 - COLLEGE OR UNIVERSITY
 - HOSPITAL
 - CHURCH
 - CHURCH WITH CEMETERY
 - CEMETERY
 - FAIRGROUND OR RACETRACK
 - POST OFFICE
 - POWER PLANT
 - POWER STATION
 - PATROL STATION
 - CORRECTIONAL OR PENAL INSTN.
 - HIGHWAY GARAGE OR MAINT. YARD
 - HIGHWAY DIV. OR DIST. OFFICE
 - WEIGHT STATION
 - SWAMP OR MARSH
 - GRAVEL PIT OR QUARRY
 - IMPROVEMENT-SMALL HISTORICAL SITE
 - LIGHTHOUSE
 - MOUNTAIN PEAK
 - MINE
 - REST AREA
 - MUNICIPAL PARK
 - TRIANGULATION STATION
 - COAST GUARD STATION
 - FEDERAL GAME LAND
 - MILITARY AIRFIELD
 - COMMERCIAL OR MUNICIPAL FIELD
 - HANGAR ON FIELD
 - LANDING STRIP
 - MARKED AUXILIARY FIELD
 - WAREHOUSES OR MANUFACTURING PLANTS
 - SHOPPING CENTERS

SHEET KEY

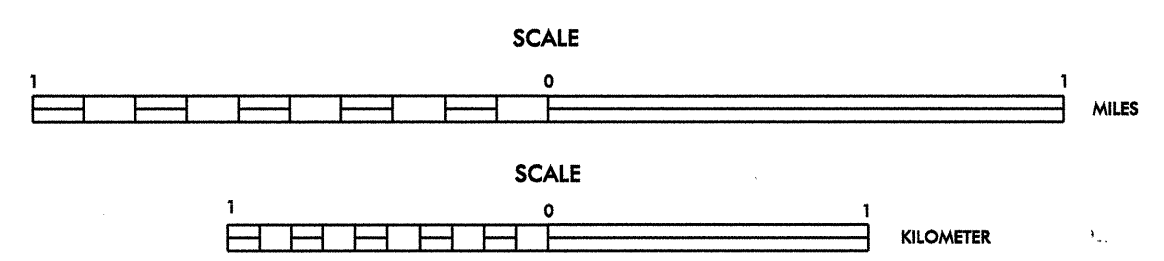


2008 ANNUAL AVERAGE DAILY TRAFFIC
 GENERATED BY THE
TRAFFIC SURVEY GROUP
 TRANSPORTATION PLANNING BRANCH

GASTONIA
 INCLUDED IN
 GASTON COUNTY
NORTH CAROLINA

BASE MAPPING PREPARED BY
 NORTH CAROLINA DEPARTMENT OF TRANSPORTATION
 STATE ROAD MAINTENANCE UNIT
 MAPPING & INFORMATION SECTION

IN COOPERATION WITH THE
 U.S. DEPARTMENT OF TRANSPORTATION
 FEDERAL HIGHWAY ADMINISTRATION



037

SHEET 3 OF 6

1"=2000'=609.6m

SHEET 3 OF 6

BASE MAP
 REVISED
 MAY 2009