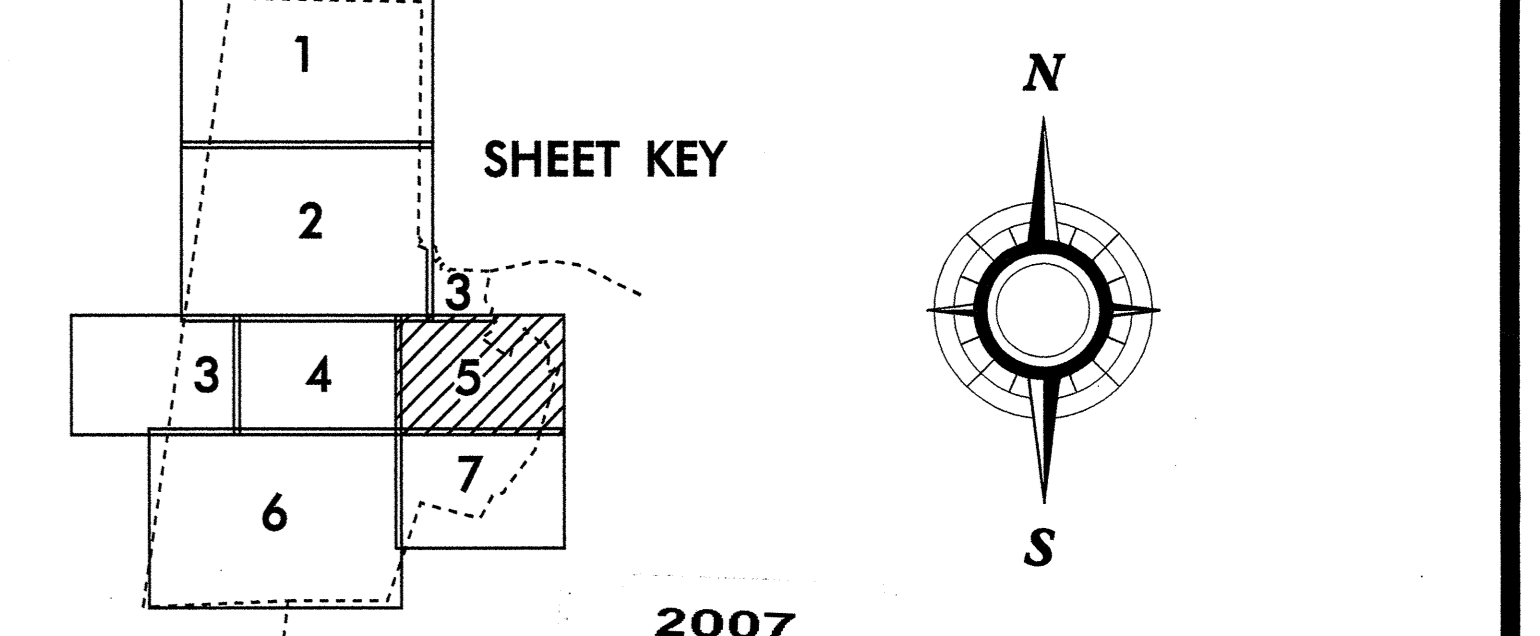
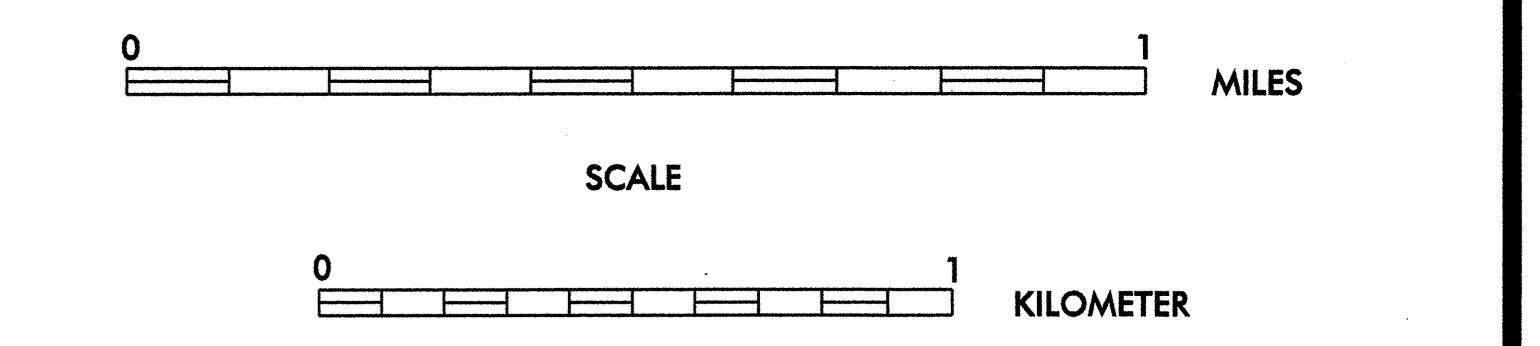


LEGEND

ROAD 4 LANE UNDIVIDED HIGHWAY DIVIDED HIGHWAY	TELETYPE PIPE RES./PARK BLDG.	CABLE RESERVOIR OR PARK BOUNDARY
FCA FULL CONTROL ACCESS	INSET AREA FREE OR TOLL FERRY	INSET AREA CANAL
DETAILED HIGHWAY INTERCHANGE	NARROW STREAM WIDE STREAM	DAM WITH LOCK DAM
ROAD THROUGH MOUNTAIN PASS HIGHWAY BRIDGE		RESERVOIR, POND, OR LAKE COUNTY SEAT
UNDERPASS OVERPASS		COMMUNITY AND TOWN CENTER TOWN HALL
DRAW SPAN ON BRIDGE HIGHWAY TUNNEL		SCHOOL COLLEGE OR UNIVERSITY
FORD INTERSTATE HIGHWAY		HOSPITAL CHURCH
U.S. NUMBERED HIGHWAY N.C. NUMBERED HIGHWAY		CHURCH WITH CEMETERY CEMETERY
U.S. NUMBERED BICYCLE ROUTE N.C. NUMBERED BICYCLE ROUTE		FAIRGROUND OR RACETRACK POST OFFICE
INTERSTATE INTERCHANGE NUMBER SECONDARY ROAD NUMBER		POWER PLANT POWER SUBSTATION
RAILROAD, ANY NUMBER OF TRACKS USED BY SINGLE OPERATING COMPANY		PATROL STATION CORRECTIONAL OR PENAL INSTN.
RAILROAD, ANY NUMBER OF TRACKS USED BY MORE THAN ONE OPERATING COMPANY ON SAME OR ADJACENT RIGHTS-OF-WAY		HIGHWAY GARAGE OR MAINT. YARD HIGHWAY DIV. OR DIST. OFFICE
RAILROAD STATION GRADE CROSSING		WEIGHT STATION SHAWM OR HAESH
UNDERPASS OVERPASS		GRAVEL PIT OR QUARRY MONUMENT-SMALL HISTORICAL SITE
RAILROAD TUNNEL RAILROAD BRIDGE		LIGHTHOUSE MOUNTAIN PEAK
UNINCORPORATED CENSUS DESIGNATED PLACE		MINE REST AREA
CITY LIMIT COUNTY LINE		MUNICIPAL PARK TRANSLATION STATION
STATE LINE INCORPORATED CITY OR VILLAGE, (GENERALIZED)		COAST GUARD STATION ARMORY
		FEDERAL GAME LAND MILITARY AIRFIELD
		COMMERCIAL OR MUNICIPAL FIELD HANGAR ON FIELD
		LANDING STRIP HARBOR AUXILIARY FIELD
		WAREHOUSES OR MANUFACTURING PLANTS SHOPPING CENTERS



**ANNUAL AVERAGE
DAILY TRAFFIC**
PREPARED BY
TRAFFIC SURVEY UNIT
DURHAM
INCLUDED IN
DURHAM COUNTY
NORTH CAROLINA
PREPARED BY
NORTH CAROLINA DEPARTMENT OF TRANSPORTATION
DIVISION OF HIGHWAYS - GIS UNIT
IN COOPERATION WITH THE
U.S. DEPARTMENT OF TRANSPORTATION
FEDERAL HIGHWAY ADMINISTRATION
SCALE



OCTOBER, 2004