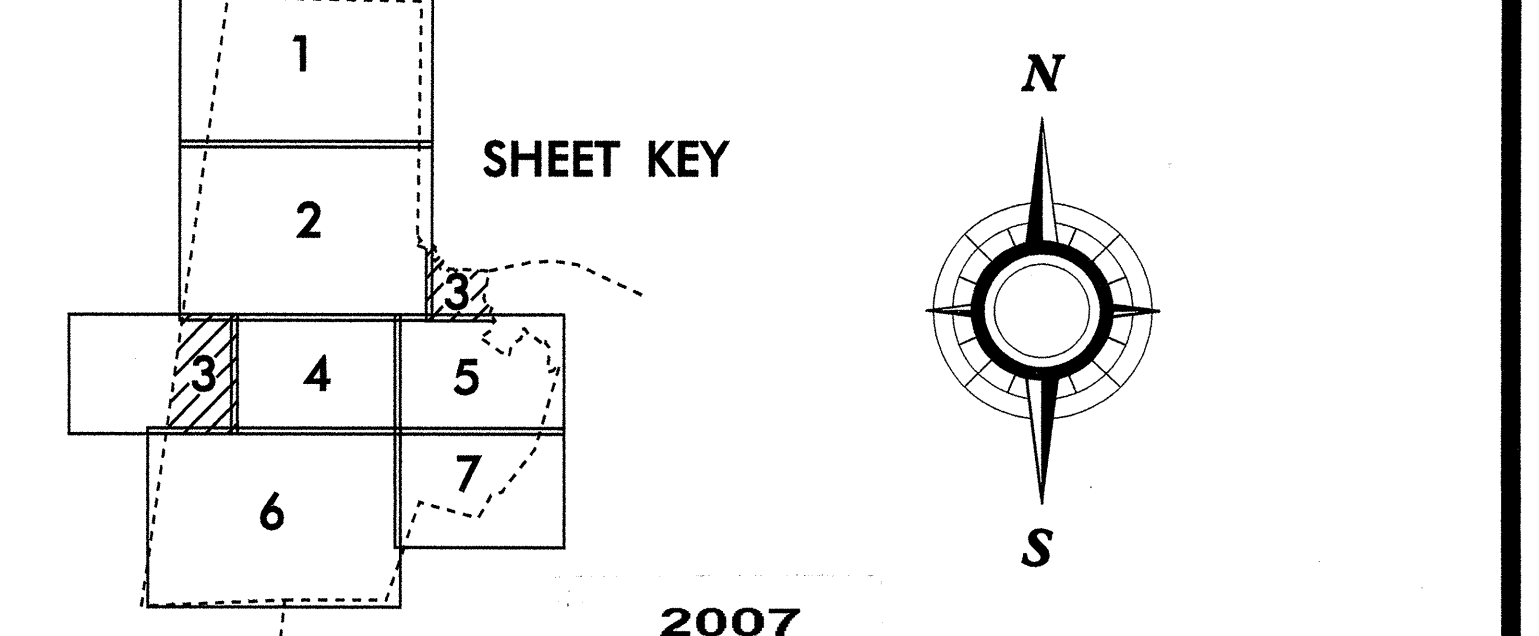


LEGEND

ROAD	4 LANE UNDIVIDED HIGHWAY	TELEPHONE/PIPE	CABLE
DIVIDED HIGHWAY	FULL CONTROL ACCESS	RES. PARK. BLDG.	RESERVOIR OR PARK BOUNDARY
DETAILED HIGHWAY INTERCHANGE	ROAD THROUGH MOUNTAIN PASS		INSET AREA
HIGHWAY BRIDGE	UNDERPASS		FREE OR TOLL FERRY
OVERPASS	OVERPASS		CANAL
DRAW SPAN ON BRIDGE	HIGHWAY TUNNEL		NARROW STREAM
FORD	INTERSTATE HIGHWAY		WIDE STREAM
INTERSTATE HIGHWAY	U.S. NUMBERED HIGHWAY		DAM WITH LOCK
N.C. NUMBERED HIGHWAY	U.S. NUMBERED BICYCLE ROUTE		DAM
U.S. NUMBERED BICYCLE ROUTE	N.C. NUMBERED BICYCLE ROUTE		RESERVOIR, POND, OR LAKE
INTERSTATE INTERCHANGE NUMBER	SECONDARY ROAD NUMBER		COUNTY SEAT
RAILROAD, ANY NUMBER OF TRACKS USED BY SINGLE OPERATING COMPANY	RAILROAD, ANY NUMBER OF TRACKS USED BY MORE THAN ONE OPERATING COMPANY ON SAME OR ADJACENT RIGHTS-OF-WAY		COMMUNITY AND TOWN CENTER
RAILROAD STATION	RAILROAD BRIDGE		SCHOOL
GRADE CROSSING	UNINCORPORATED CENSUS DESIGNATED PLACE		COLLEGE OR UNIVERSITY
OVERPASS	CITY LIMIT		HOSPITAL
RAILROAD TUNNEL	COUNTY LINE		CHURCH
RAILROAD BRIDGE	STATE LINE		CHURCH WITH CEMETERY
UNINCORPORATED CENSUS DESIGNATED PLACE	INCORPORATED CITY OR VILLAGE, (GENERALIZED)		CEMETERY
CITY LIMIT			FAIRGROUND OR RACETRACK
COUNTY LINE			POST OFFICE
STATE LINE			POWER PLANT
INCORPORATED CITY OR VILLAGE, (GENERALIZED)			POWER SUBSTATION
			CORRECTIONAL OR PENAL INSTN.
			HIGHWAY GARAGE OR MAINT. YARD
			HIGHWAY DIV. OR DIST. OFFICE
			WEIGHT STATION
			SWAMP OR MARSH
			GRAVEL PIT OR QUARRY
			MONUMENT-SMALL HISTORICAL SITE
			LIGHTHOUSE
			MOUNTAIN PEAK
			MINE
			REST AREA
			MUNICIPAL PARK
			TRIANGULATION STATION
			COAST GUARD STATION
			ARMORY
			FEDERAL GAME LAND
			MILITARY AIRFIELD
			COMMERCIAL OR MUNICIPAL FIELD
			HANGAR ON FIELD
			LANDING STRIP
			MARKED AUXILIARY FIELD
			WAREHOUSES OR MANUFACTURING PLANTS
			SHOPPING CENTERS



# ANNUAL AVERAGE DAILY TRAFFIC

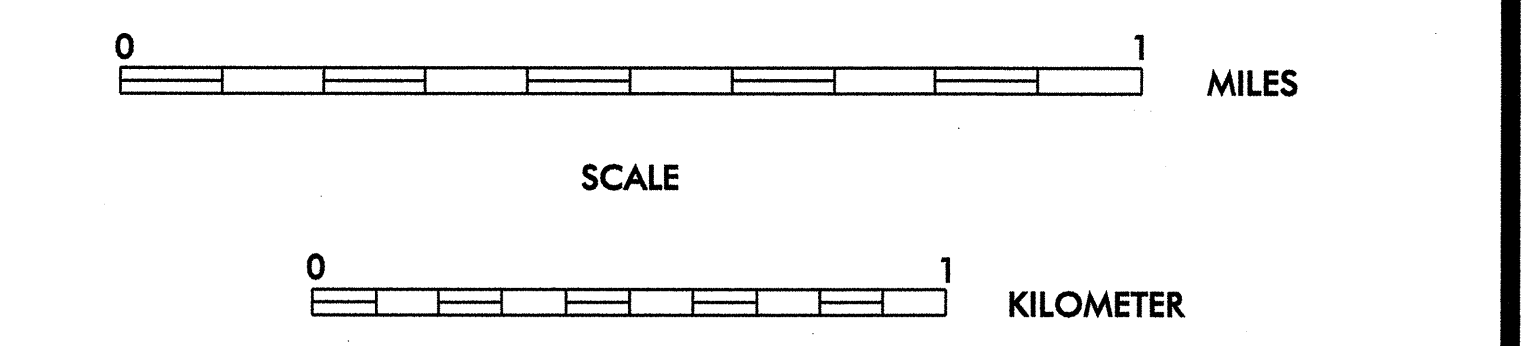
## PREPARED BY TRAFFIC SURVEY UNIT

# DURHAM

INCLUDED IN DURHAM COUNTY

# NORTH CAROLINA

PREPARED BY  
 NORTH CAROLINA DEPARTMENT OF TRANSPORTATION  
 DIVISION OF HIGHWAYS - GIS UNIT  
 IN COOPERATION WITH THE  
 U.S. DEPARTMENT OF TRANSPORTATION  
 FEDERAL HIGHWAY ADMINISTRATION



OCTOBER, 2004