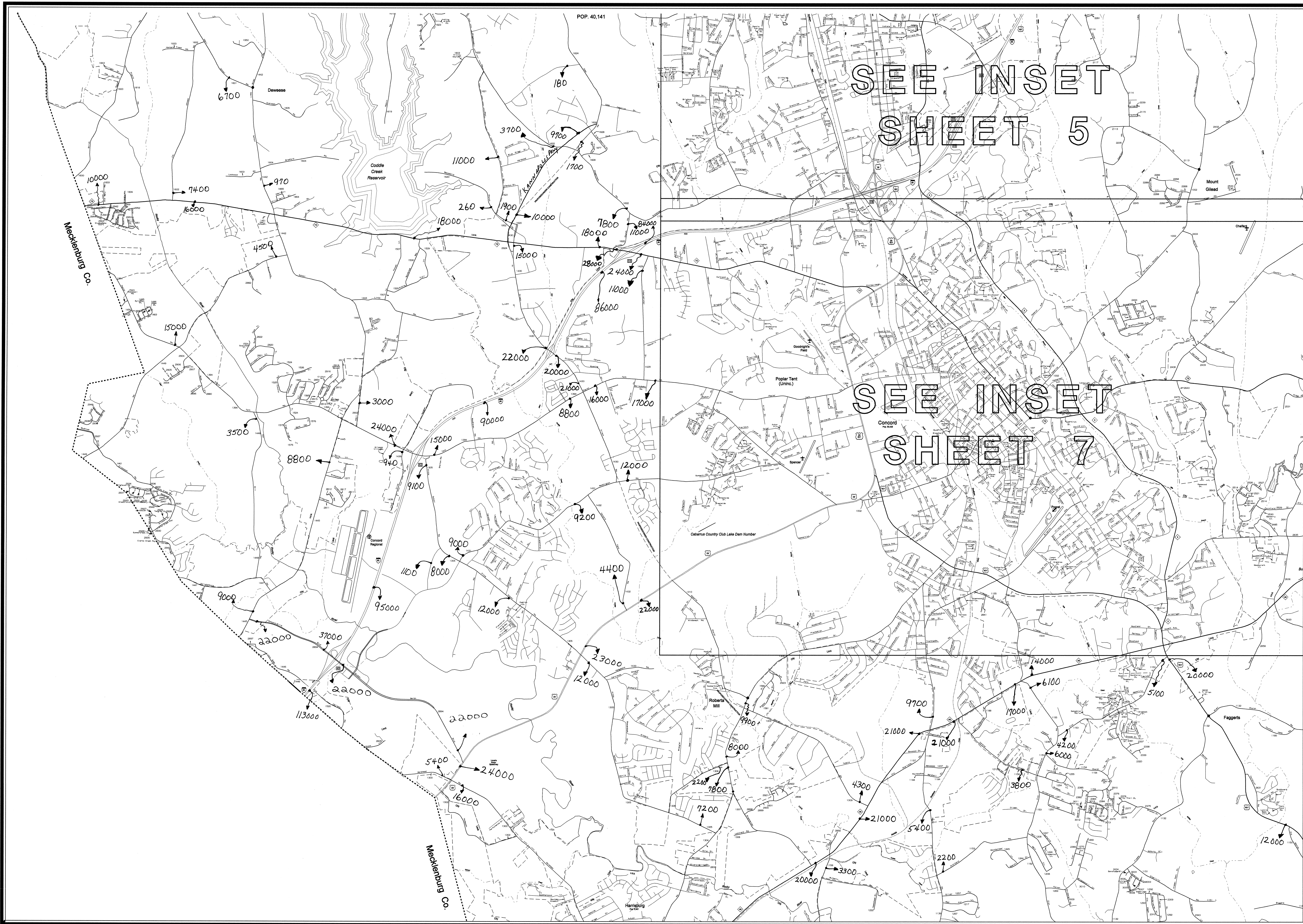
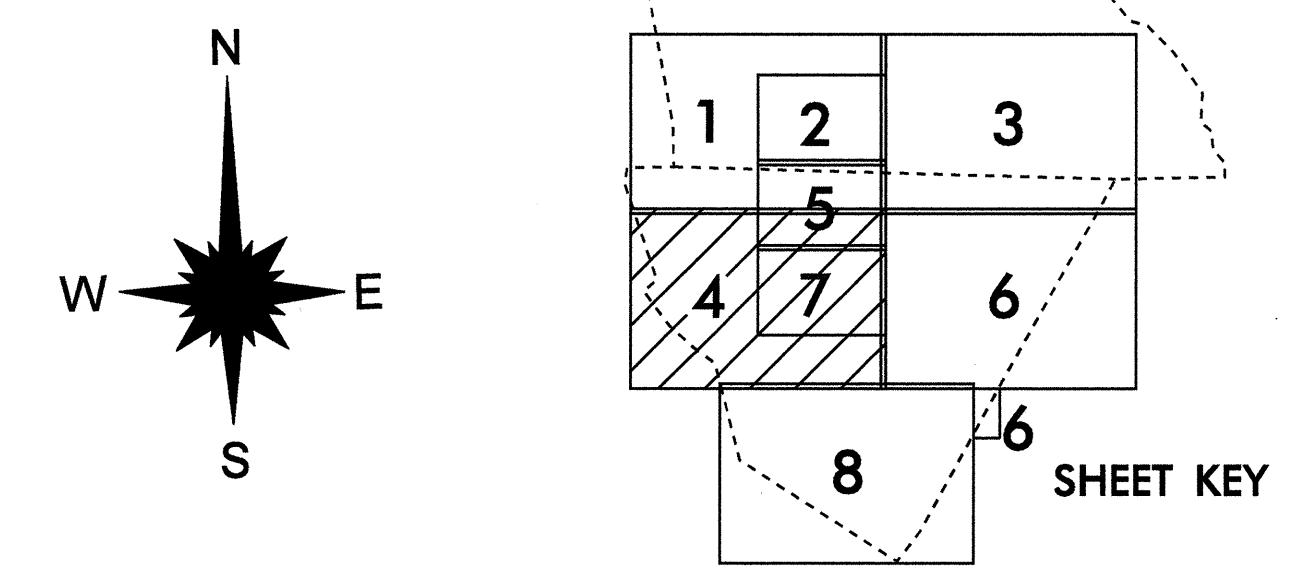


POP. 40,141



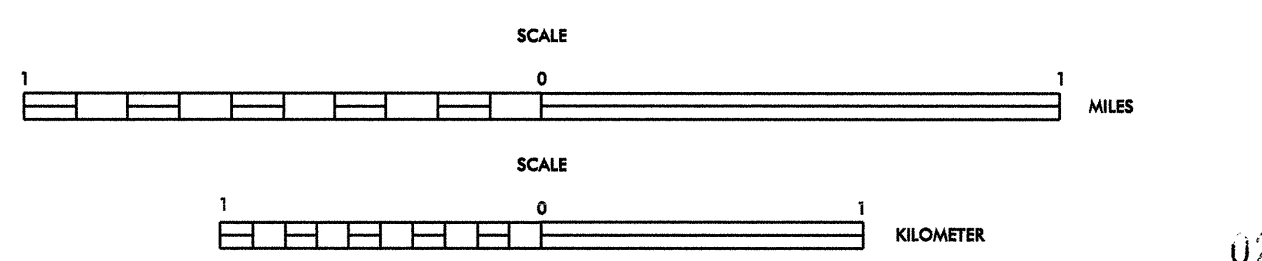
LEGEND

ROAD	4 LANE UNDIVIDED HIGHWAY	DIVIDED HIGHWAY	FULL CONTROL ACCESS	DETAILED HIGHWAY INTERCHANGE	ROAD THROUGH MOUNTAIN PASS	HIGHWAY BRIDGE	UNDERPASS	OVERPASS	DRAW SPAN ON BRIDGE	HIGHWAY TUNNEL	FORD	INTERSTATE HIGHWAY	U.S. NUMBERED HIGHWAY	N.C. NUMBERED HIGHWAY	U.S. NUMBERED BICYCLE ROUTE	N.C. NUMBERED BICYCLE ROUTE	INTERSTATE INTERCHANGE NUMBER	SECONDARY ROAD NUMBER	RAILROAD, ANY NUMBER OF TRACKS USED BY SINGLE OPERATING COMPANY	RAILROAD, ANY NUMBER OF TRACKS USED BY MORE THAN ONE OPERATING COMPANY ON SAME OR ADJACENT RIGHTS-OF-WAY	RAILROAD STATION	GRADE CROSSING	UNDERPASS	OVERPASS	RAILROAD TUNNEL	RAILROAD BRIDGE	UNINCORPORATED CENSUS DESIGNATED PLACE	CITY LIMIT	COUNTY LINE	STATE LINE	INCORPORATED CITY OR VILLAGE, (GENERALIZED)	CABLE	RESERVATION OR PARK BOUNDARY	INSET AREA	FREE OR TOLL FERRY	CANAL	NARROW STREAM	WIDE STREAM	DAM WITH LOCK	DAM	RESERVOIR, POND, OR LAKE	COUNTY SEAT	COMMUNITY AND TOWN CENTER	TOWN HALL	SCHOOL	COLLEGE OR UNIVERSITY	HOSPITAL	CHURCH	CHURCH WITH CEMETERY	CEMETERY	PARKGROUND OR RACETRACK	POST OFFICE	POWER PLANT	POWER SUBSTATION	PATROL STATION	CORRECTIONAL OR PENAL INSTN.	HIGHWAY GARAGE OR MAINT. YARD	HIGHWAY DIV. OR DIST. OFFICE	WEIGHT STATION	SWAMP OR MARSH	GRAVEL PIT OR QUARRY	MONUMENT-SMALL HISTORICAL SITE	LIGHTHOUSE	MOUNTAIN PEAK	MINE	REST AREA	MUNICIPAL PARK	TRIANGULATION STATION	COAST GUARD STATION	ARMORY	FEDERAL GAME LAND	MILITARY AIRFIELD	COMMERCIAL OR MUNICIPAL FIELD	HANGAR ON FIELD	LANDING STRIP	MARKED AUXILIARY FIELD	WAREHOUSES OR MANUFACTURING PLANTS	SHOPPING CENTERS
------	--------------------------	-----------------	---------------------	------------------------------	----------------------------	----------------	-----------	----------	---------------------	----------------	------	--------------------	-----------------------	-----------------------	-----------------------------	-----------------------------	-------------------------------	-----------------------	---	--	------------------	----------------	-----------	----------	-----------------	-----------------	--	------------	-------------	------------	---	-------	------------------------------	------------	--------------------	-------	---------------	-------------	---------------	-----	--------------------------	-------------	---------------------------	-----------	--------	-----------------------	----------	--------	----------------------	----------	-------------------------	-------------	-------------	------------------	----------------	------------------------------	-------------------------------	------------------------------	----------------	----------------	----------------------	--------------------------------	------------	---------------	------	-----------	----------------	-----------------------	---------------------	--------	-------------------	-------------------	-------------------------------	-----------------	---------------	------------------------	------------------------------------	------------------



2008 ANNUAL AVERAGE DAILY TRAFFIC
 GENERATED BY THE
 TRAFFIC SURVEY GROUP
 TRANSPORTATION PLANNING BRANCH
CONCORD-KANNAPOLIS

INCLUDED IN
 CABARRUS AND ROWAN COUNTIES
NORTH CAROLINA
 BASE MAPPING PREPARED BY
 NORTH CAROLINA DEPARTMENT OF TRANSPORTATION
 STATE ROAD MAINTENANCE UNIT
 MAPPING & INFORMATION SECTION
 IN COOPERATION WITH THE
 U.S. DEPARTMENT OF TRANSPORTATION
 FEDERAL HIGHWAY ADMINISTRATION



SHEET 4 OF 8

BASE MAP
REVISED
MAY 2009

021

SHEET 4 OF 8

1"=2000'=609.6m