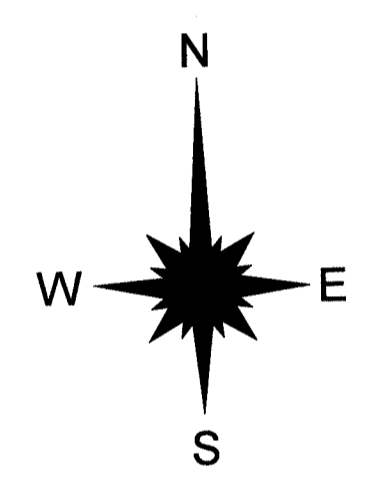
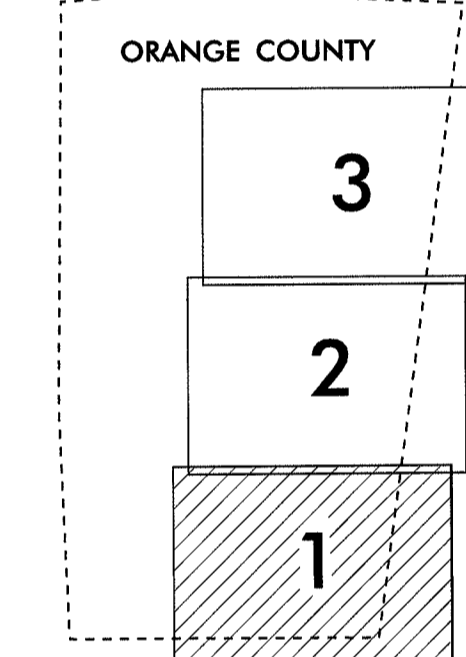


LEGEND

ROAD	TOILET/POE	CABLE
1 LANE UNDIVIDED HIGHWAY	RES. PARK. LOT	RESERVOIR OR PARK BOUNDARY
DIVIDED HIGHWAY		INSET AREA
F.C.A.		FREE OR TOLL FERRY
FULL CONTROL ACCESS		CANAL
DETAILED HIGHWAY INTERCHANGE		NARROW STREAM
ROAD THROUGH MOUNTAIN PASS		WIDE STREAM
HIGHWAY BRIDGE		DAM WITH LOCK
UNDERPASS		DAM
OVERPASS		RESERVOIR, POND, OR LAKE
DRAW SPAN ON BRIDGE		COUNTY SEAT
HIGHWAY TUNNEL		COMMUNITY AND TOWN CENTER
FORD		TOWN HALL
INTERSTATE HIGHWAY		SCHOOL
U.S. NUMBERED HIGHWAY		COLLEGE OR UNIVERSITY
N.C. NUMBERED HIGHWAY		HOSPITAL
U.S. NUMBERED BICYCLE ROUTE		CHURCH
N.C. NUMBERED BICYCLE ROUTE		CHURCH WITH CEMETERY
INTERSTATE INTERCHANGE NUMBER		CEMETERY
SECONDARY ROAD NUMBER		FAIRGROUND OR RACETRACK
RAILROAD ANY NUMBER OF TRACKS USED BY SINGLE OPERATING COMPANY		POST OFFICE
RAILROAD ANY NUMBER OF TRACKS USED BY MORE THAN ONE OPERATION COMPANY ON SAME OR ADJACENT RIGHTS-OF-WAY		POWER PLANT
RAILROAD STATION		POWER SUBSTATION
GRADE CROSSING		WEIGHT STATION
UNDERPASS		PATROL STATION
OVERPASS		CORRECTIONAL OR PENAL INSTN.
RAILROAD TUNNEL		HIGHWAY GARAGE OR MAINT. YARD
RAILROAD BRIDGE		HIGHWAY DIV. OR DIST. OFFICE
UNINCORPORATED CENSUS DESIGNATED PLACE		SWAMP OR MARSH
CITY LIMIT		GRAVEL PIT OR QUARRY
COUNTY LINE		MONUMENT-SMALL HISTORICAL SITE
STATE LINE		LIGHTHOUSE
INCORPORATED CITY OR VILLAGE, (GENERALIZED)		MOUNTAIN PEAK
		MINE
		BEST AREA
		MUNICIPAL PARK
		TRIANGULATION STATION
		COAST GUARD STATION
		ARMORY
		FEDERAL GAME LAND
		MILITARY AIRFIELD
		COMMERCIAL OR MUNICIPAL FIELD
		HANGAR ON FIELD
		LANDING STRIP
		MARKED AUXILIARY FIELD
		WAREHOUSES OR MANUFACTURING PLANTS
		SHOPPING CENTERS



SHEET KEY

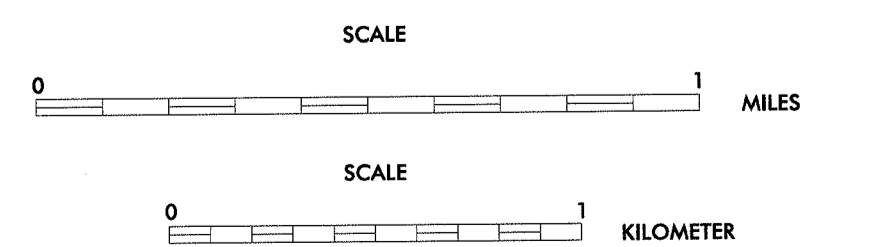
2013
ANNUAL AVERAGE
DAILY TRAFFIC

GENERATED BY THE
TRAFFIC SURVEY GROUP
TRANSPORTATION PLANNING BRANCH

CHAPEL HILL
 INCLUDED IN
 ORANGE COUNTY
NORTH CAROLINA

BASE MAPPING PREPARED BY
NORTH CAROLINA DEPARTMENT OF TRANSPORTATION
STATE ROAD MAINTENANCE UNIT
MAPPING & INFORMATION SECTION

IN COOPERATION WITH THE
U.S. DEPARTMENT OF TRANSPORTATION
FEDERAL HIGHWAY ADMINISTRATION

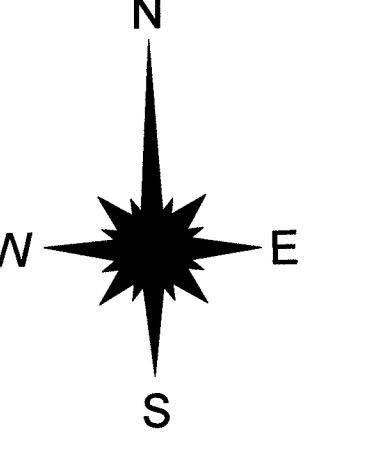
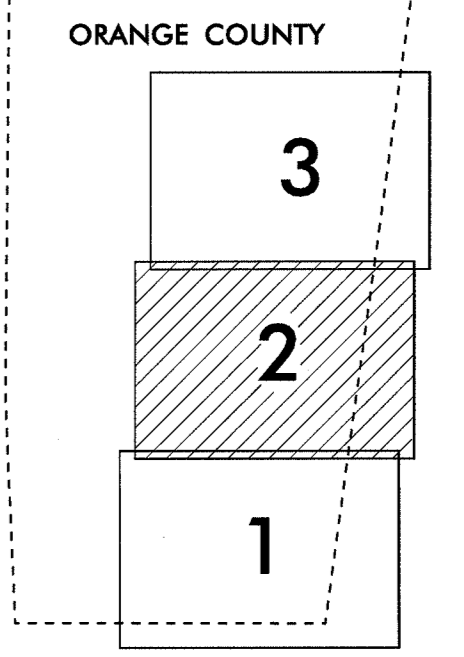


1" = 1500' = 457.2m



LEGEND

ROAD 4 LANE UNDIVIDED HIGHWAY DIVIDED HIGHWAY	TELELECT PIPE RES./PARK BDY.	CABLE RESERVOIR OR PARK BOUNDARY
FCA FULL CONTROL ACCESS	Detailed Highway Interchange	INSET AREA FREE OR TOLL FERRY
ROAD THROUGH MOUNTAIN PASS	HIGHWAY BRIDGE	CANAL NARROW STREAM
UNDERPASS	OVERPASS	WIDE STREAM
DRAW SPAN ON BRIDGE	HIGHWAY TUNNEL	DAM WITH LOCK
FORD	INTERSTATE HIGHWAY	DAM
U.S. NUMBERED HIGHWAY	U.S. NUMBERED HIGHWAY	RESERVOIR, POND, OR LAKE
U.S. NUMBERED BICYCLE ROUTE	U.S. NUMBERED BICYCLE ROUTE	COUNTY SEAT COMMUNITY AND TOWN CENTER TOWN HALL
INTERSTATE INTERCHANGE NUMBER	INTERSTATE INTERCHANGE NUMBER	SCHOOL COLLEGE OR UNIVERSITY
RAILROAD, ANY NUMBER OF TRACKS USED BY SINGLE OPERATING COMPANY	RAILROAD, ANY NUMBER OF TRACKS USED BY MORE THAN ONE OPERATION COMPANY ON SAME OR ADJACENT RIGHTS-OF-WAY	HOSPITAL CHURCH
RAILROAD STATION	RAILROAD BRIDGE	CHURCH WITH CEMETERY CEMETERY FAIRGROUND OR RACETRACK
RAILROAD TUNNEL	RAILROAD BRIDGE	POST OFFICE POWER PLANT POWER SUBSTATION
UNINCORPORATED CENSUS DESIGNATED PLACE	CITY LIMIT	PATROL STATION CORRECTIONAL OR PENAL INSTN. HIGHWAY GARAGE OR MAINT. YARD
COUNTY LINE	STATE LINE	WEIGHT STATION SWAMP OR MARSH GRAVEL PIT OR QUARRY
INCORPORATED CITY OR VILLAGE, (GENERALIZED)		MONUMENT-SMALL HISTORICAL SITE LIGHTHOUSE MOUNTAIN PEAK
		MINE REST AREA MUNICIPAL PARK
		TRIANGULATION STATION COAST GUARD STATION ARMORY
		FEDERAL GAME LAND MILITARY AIRFIELD COMMERCIAL OR MUNICIPAL FIELD
		MANGAR ON FIELD LANDING STRIP MARKED AUXILIARY FIELD
		WAREHOUSES OR MANUFACTURING PLANTS SHOPPING CENTERS



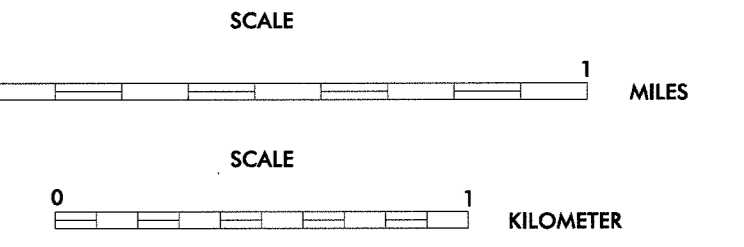
SHEET KEY

2013
ANNUAL AVERAGE
DAILY TRAFFIC
GENERATED BY THE
TRAFFIC SURVEY GROUP
TRANSPORTATION PLANNING BRANCH

CHAPEL HILL
INCLUDED IN
ORANGE COUNTY
NORTH CAROLINA

BASE MAPPING PREPARED BY
NORTH CAROLINA DEPARTMENT OF TRANSPORTATION
STATE ROAD MAINTENANCE UNIT
MAPPING & INFORMATION SECTION

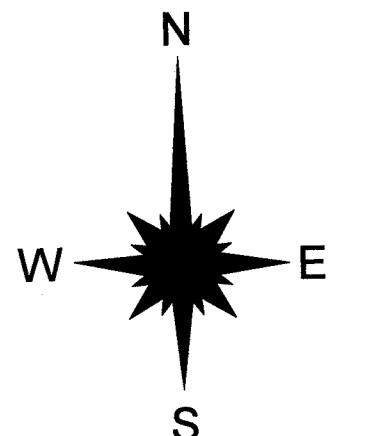
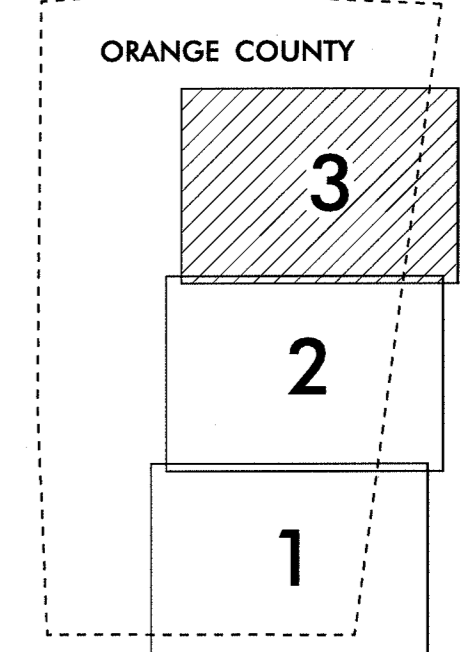
IN COOPERATION WITH THE
U.S. DEPARTMENT OF TRANSPORTATION
FEDERAL HIGHWAY ADMINISTRATION





LEGEND

ROAD	4 LANE UNDIVIDED HIGHWAY	DIVIDED HIGHWAY	FCA	Detailed Highway Interchange	Road Through Mountain Pass	Highway Bridge	Underpass	Overpass	Draw Span on Bridge	Highway Tunnel	Ford	Interstate Highway	U.S. Numbered Highway	N.C. Numbered Highway	U.S. Numbered Bicycle Route	N.C. Numbered Bicycle Route	Interstate Interchange Number	Secondary Road Number	Railroad, Any Number of Tracks Used by Single Operating Company	Railroad, Any Number of Tracks Used by More Than One Operating Company on Same or Adjacent Rights-of-Way	Railroad Station	Grade Crossing	Underpass	Overpass	Railroad Tunnel	Railroad Bridge	Unincorporated Census Designated Place	City Limit	County Line	State Line	Incorporated City or Village, (Generalized)	Cable	Reservation or Park Boundary	Inset Area	Free or Toll Ferry	Canal	Narrow Stream	Wide Stream	Dam with Lock	Dam	Reservoir, Pond, or Lake	County Seat	Community and Town Center	Town Hall	School	College or University	Hospital	Church	Church with Cemetery	Cemetery	Fairground or Racetrack	Post Office	Power Plant	Power Substation	Patrol Station	Correctional or Penal Instn.	Highway Garage or Maint. Yard	Highway Div. or Dist. Office	Weight Station	Swamp or Marsh	Gravel Pit or Quarry	Monument-Small Historical Site	Lighthouse	Mountain Peak	Mine	Rest Area	Municipal Park	Triangulation Station	Coast Guard Station	Armory	Federal Game Land	Military Airfield	Commercial or Municipal Field	Hangar on Field	Landing Strip	Marked Auxiliary Field	Warehouses or Manufacturing Plants	Shopping Centers
------	--------------------------	-----------------	-----	------------------------------	----------------------------	----------------	-----------	----------	---------------------	----------------	------	--------------------	-----------------------	-----------------------	-----------------------------	-----------------------------	-------------------------------	-----------------------	---	--	------------------	----------------	-----------	----------	-----------------	-----------------	--	------------	-------------	------------	---	-------	------------------------------	------------	--------------------	-------	---------------	-------------	---------------	-----	--------------------------	-------------	---------------------------	-----------	--------	-----------------------	----------	--------	----------------------	----------	-------------------------	-------------	-------------	------------------	----------------	------------------------------	-------------------------------	------------------------------	----------------	----------------	----------------------	--------------------------------	------------	---------------	------	-----------	----------------	-----------------------	---------------------	--------	-------------------	-------------------	-------------------------------	-----------------	---------------	------------------------	------------------------------------	------------------



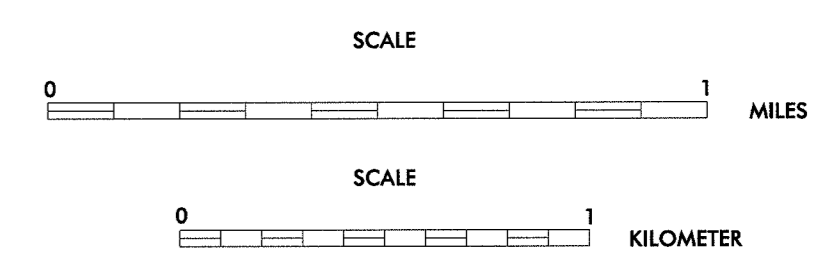
SHEET KEY

2013
ANNUAL AVERAGE
DAILY TRAFFIC
 GENERATED BY THE
TRAFFIC SURVEY GROUP
TRANSPORTATION PLANNING BRANCH

CHAPEL HILL
 INCLUDED IN
 ORANGE COUNTY
NORTH CAROLINA

BASE MAPPING PREPARED BY
NORTH CAROLINA DEPARTMENT OF TRANSPORTATION
STATE ROAD MAINTENANCE UNIT
MAPPING & INFORMATION SECTION

IN COOPERATION WITH THE
U.S. DEPARTMENT OF TRANSPORTATION
FEDERAL HIGHWAY ADMINISTRATION



1"=1500'=457.2m

BASE MAP
 REVISED
 JULY 2009