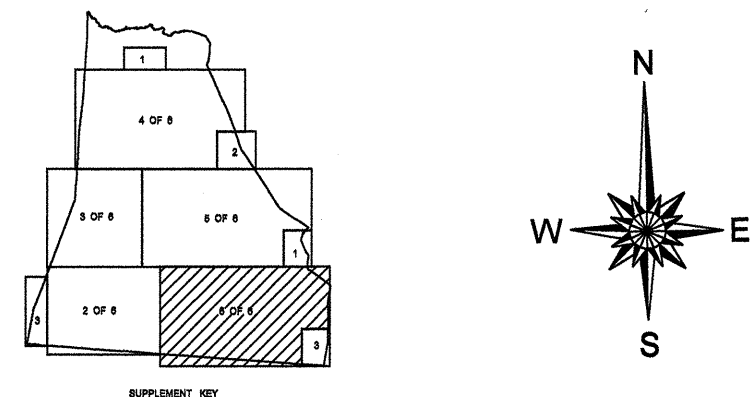
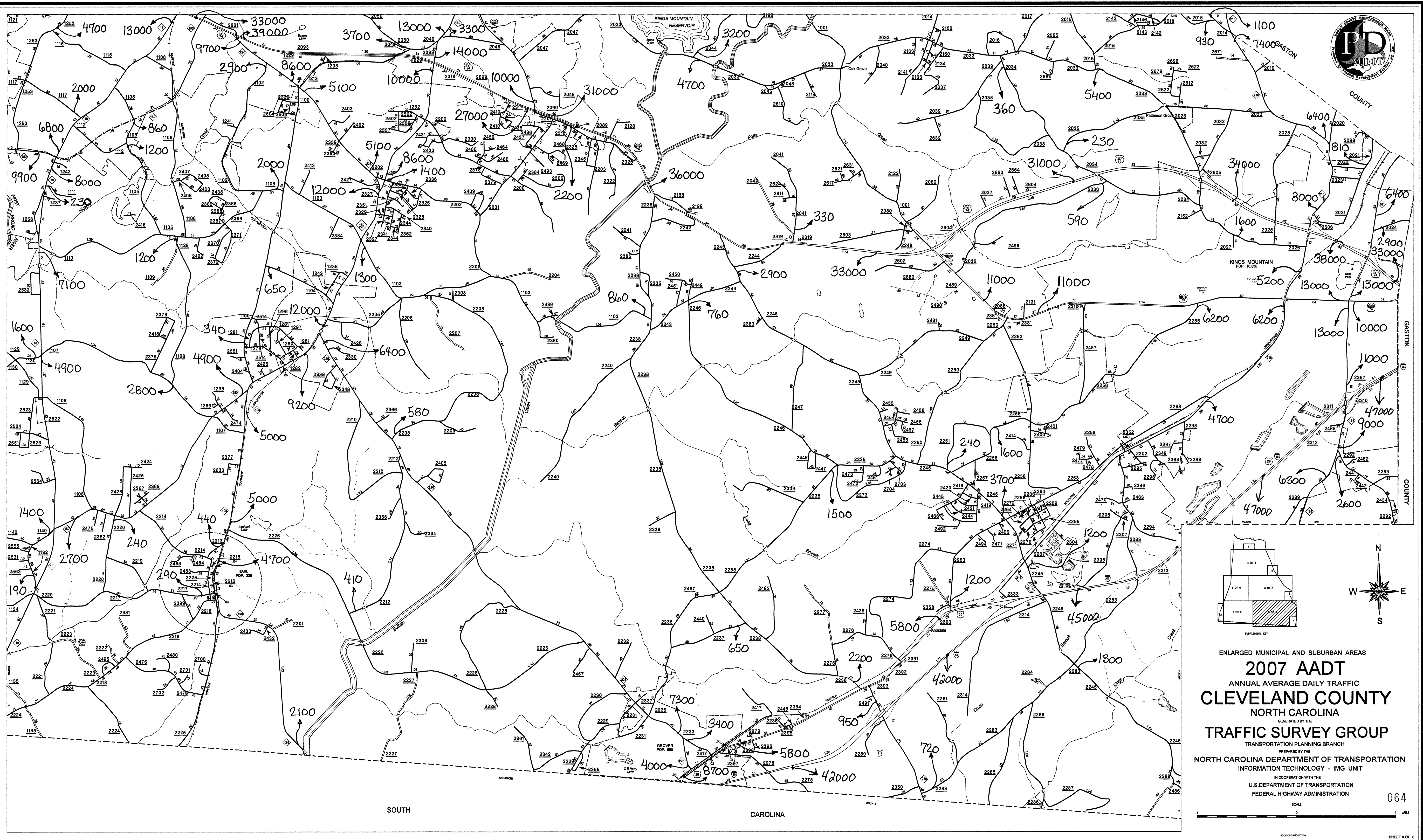
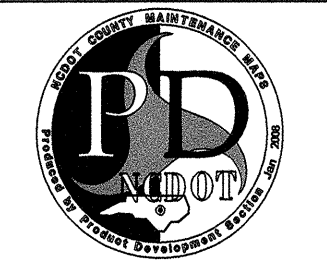


Disclaimer: The IMC Unit's goal is to provide the most accurate information as possible, the magnitude of the data prevents any guarantee of accuracy or completeness. If you find any information that is incorrect, please send your request to the IMC Unit.



ENLARGED MUNICIPAL AND SUBURBAN AREAS
2007 AADT
ANNUAL AVERAGE DAILY TRAFFIC
CLEVELAND COUNTY
NORTH CAROLINA
GENERATED BY THE
TRAFFIC SURVEY GROUP
TRANSPORTATION PLANNING BRANCH
PREPARED BY THE
NORTH CAROLINA DEPARTMENT OF TRANSPORTATION
INFORMATION TECHNOLOGY - IMC UNIT
IN COOPERATION WITH THE
U.S. DEPARTMENT OF TRANSPORTATION
FEDERAL HIGHWAY ADMINISTRATION

064

COPIES OF THIS MAP ARE AVAILABLE
FROM THE IMC UNIT AT A FORMAL COST
ADDRESS:
N.C. DEPARTMENT OF TRANSPORTATION
INFORMATION TECHNOLOGY AND SERVICES
15100 RICH
RALEIGH, N.C. 27615

REVISED
10/2008 SHC
12/2008 RCH
8/14/07 RCH