

- 1 INSTALL COAX CABLE
- 2 INSTALL ETHERNET CABLE
- 3 EXISTING ETHERNET (OR COAX) CABLE
- 4 INSTALL SMFO CABLE
- 5 EXISTING SMFO CABLE
- 6 INSTALL FIBER OPTIC DROP CABLE
- 7 INSTALL TRACER WIRE
- 8 TRENCH
- 9 INSTALL PVC CONDUIT
- 10 INSTALL RIGID, GALVANIZED STEEL CONDUIT
- 11 INSTALL RIGID, GALVANIZED STEEL RISER WITH WEATHERHEAD
- 12 INSTALL RIGID, GALVANIZED STEEL RISER WITH FIBER OPTIC CABLE SEAL
- 13 INSTALL OUTER-DUCT POLYETHYLENE CONDUIT
- 14 INSTALL POLYETHYLENE CONDUIT
- 15 DIRECTIONAL DRILL CONDUIT
- 16 BORE AND JACK CONDUIT
- 17 INSTALL CABLE(S) IN EXISTING CONDUIT
- 18 INSTALL CABLE(S) IN NEW CONDUIT
- 19 INSTALL CABLE(S) IN EXISTING RISER
- 20 INSTALL CABLE(S) IN NEW RISER
- 21 INSTALL CABLE(S) IN EXISTING CONDUIT STUB-OUTS
- 22 INSTALL NEW CONDUIT INTO EXISTING CABINET BASE (USE EXISTING CONDUIT STUB-OUTS WHEN AVAILABLE)
- 23 INSTALL NEW RISER INTO EXISTING CABINET BASE (USE EXISTING CONDUIT STUB-OUTS WHEN AVAILABLE)
- 24 INSTALL NEW CONDUIT INTO EXISTING POLE MOUNTED CABINET
- 25 INSTALL NEW RISER INTO EXISTING POLE MOUNTED CABINET
- 26 INSTALL NEW ETHERNET EDGE SWITCH
- 27 INSTALL NEW FIBER OPTIC TRANSCEIVER
- 28 INSTALL INTERCONNECT CENTER, PATCH PANEL, JUMPERS AND FUSION SPLICE CABLE IN CABINET
- 29 INSTALL UNDERGROUND SPLICE ENCLOSURE
- 30 INSTALL AERIAL SPLICE ENCLOSURE
- 31 MODIFY EXISTING INTERCONNECT CENTER / SPLICE ENCLOSURE
- 32 INSTALL POLE MOUNTED SPLICE CABINET
- 33 INSTALL BASE MOUNTED SPLICE CABINET

- 34 INSTALL CABINET FOUNDATION
- 35 INSTALL CCTV CAMERA POLE MOUNTED CABINET
- 36 INSTALL CCTV CAMERA ASSEMBLY
- 37 INSTALL CCTV CAMERA WOOD POLE
- 38 INSTALL CCTV CAMERA METAL POLE AND FOUNDATION
- 39 INSTALL JUNCTION BOX
- 40A INSTALL OVERSIZED JUNCTION BOX
- 40B INSTALL SPECIAL OVERSIZED JUNCTION BOX (36" x 24" x 24")
- 41 REMOVE EXISTING JUNCTION BOX
- 42 INSTALL WOOD POLE
- 43 REMOVE EXISTING WOOD POLE
- 44 INSTALL AERIAL GUY ASSEMBLY
- 45 INSTALL STANDARD GUY ASSEMBLY
- 46 INSTALL SIDEWALK GUY ASSEMBLY
- 47 INSTALL MESSENGER CABLE
- 48A REMOVE EXISTING COMMUNICATIONS AND MESSENGER CABLE
- 48B REMOVE EXISTING COMMUNICATIONS CABLE
- 49 BACK PULL EXISTING COMMUNICATIONS CABLE
- 50 INSTALL CELL MODEM AND ANTENNA
- 51 INSTALL CABLE STORAGE RACKS (SNOW SHOES) AND STORE 100 FEET OF CABLE
- 52A INSTALL DELINEATOR MARKER
- 52B INSTALL JUNCTION BOX MARKER
- 53A STORE 20 FEET OF COMMUNICATIONS CABLE
- 53B STORE 50 FEET OF EACH COMMUNICATIONS CABLE
- 54 LASH CABLE(S) TO EXISTING COMMUNICATIONS CABLE
- 55 LASH CABLE(S) TO EXISTING MESSENGER CABLE
- 56 LASH CABLE(S) TO NEW MESSENGER CABLE
- 57 MODIFY EXISTING ELECTRICAL SERVICE
- 58 INSTALL NEW ELECTRICAL SERVICE
- 59 INSTALL NEW EQUIPMENT CABINET DISCONNECT
- 60 BOND TRACER WIRE TO EQUIPMENT GROUND BUS
DO NOT BOND TRACER WIRE TO EQUIPMENT GROUND BUS
BOND RISER AND MESSENGER CABLE TO POLE GROUND
- 61 BOND RISER TO POLE GROUND
- 62 BOND MESSENGER CABLE TO POLE GROUND
- 63 BOND MESSENGER CABLE TO POLE GROUND
- 64 BOND MESSENGER CABLE TO POLE GROUND
- 65 INSTALL HEAT SHRINK TUBING RETROFIT KIT
- 66 INSTALL MOLDABLE DUCT SEAL
- 67 SLACK SPAN

LEGEND

	FO	NEW FIBER OPTIC COMMUNICATIONS CABLE
	EXI	EXISTING COMMUNICATIONS CABLE
	REM	EXISTING COMMUNICATIONS CABLE TO BE REMOVED
		NEW AERIAL GUY ASSEMBLY
		NEW CONDUIT
		EXISTING CONDUIT
	DD	NEW DIRECTIONAL DRILLED CONDUIT

NEW		EXISTING
	OVERSIZED JUNCTION BOX	
	WOOD POLE	
	AERIAL SPLICE ENCLOSURE	
	UNDERGROUND SPLICE ENCLOSURE	
	METAL POLE	
	CCTV ASSEMBLY	
	STANDARD GUY ASSEMBLY	
	SIDEWALK GUY ASSEMBLY	
	CABLE STORAGE RACKS (SNOW SHOES)	
	SIGNAL/EQUIPMENT CABINET	
	SPLICE CABINET	
	FLAT PANEL ANTENNA (SINGLE)	
	YAGI ANTENNA (DOUBLE) FOR REPEATER OPERATION	
	YAGI ANTENNA (SINGLE)	
	OMNI ANTENNA	
	SIGNAL POLE	
	SIGNAL INVENTORY NUMBER	

ATTACHMENT POINT:

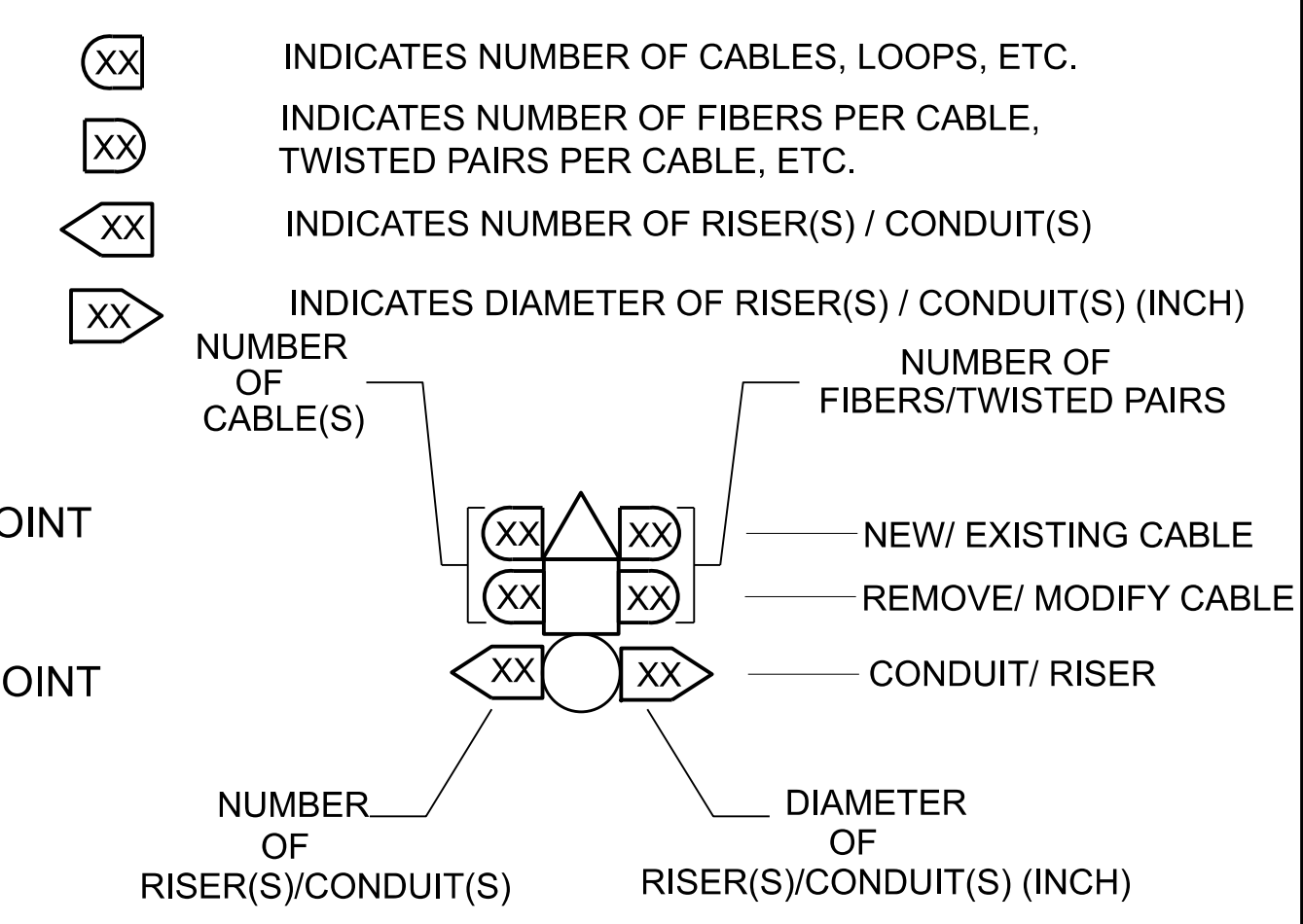
,

XX"/SS
YYY
DISTANCE ABOVE (IN)/ATTACHMENT POINT
REFERENCE POINT

YYY
XX"/SS
REFERENCE POINT
DISTANCE BELOW (IN)/ATTACHMENT POINT

"SS" REFERENCE LOCATION
FS = FRONT SIDE OF POLE
BS = BACK SIDE OF POLE

CONSTRUCTION NOTE SYMBOLOGY KEY



<p>750 N. Greenfield Pkwy., Garner, NC 27529</p>	CONSTRUCTION NOTES		<p>SEAL</p> <p>ALEX D. STEWART ENGINEER DATE: 08/07/2025</p>					
	<p>DIVISION 5 WAKE COUNTY FUQUAY VARINA</p> <p>PLAN DATE: AUGUST 2025 REVIEWED BY: GREGG GREEN</p> <p>PREPARED BY: M. DIAZ</p>	<p>REVISIONS</p> <table border="1"> <tr> <th>NO.</th> <th>DESCRIPTION</th> <th>DATE</th> </tr> <tr> <td> </td> <td> </td> <td> </td> </tr> </table>		NO.	DESCRIPTION	DATE		
NO.	DESCRIPTION	DATE						

DOCUMENT NOT CONSIDERED FINAL UNLESS ALL SIGNATURES COMPLETED