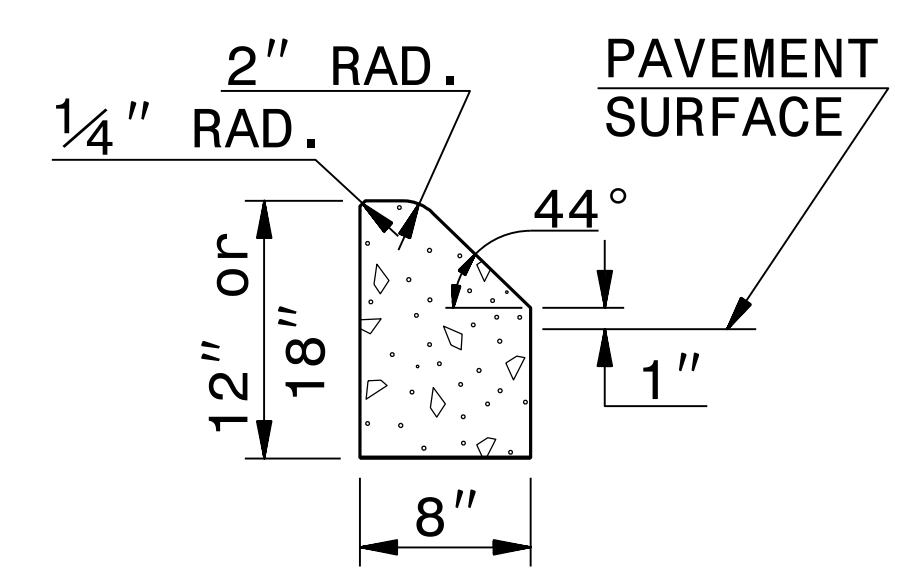
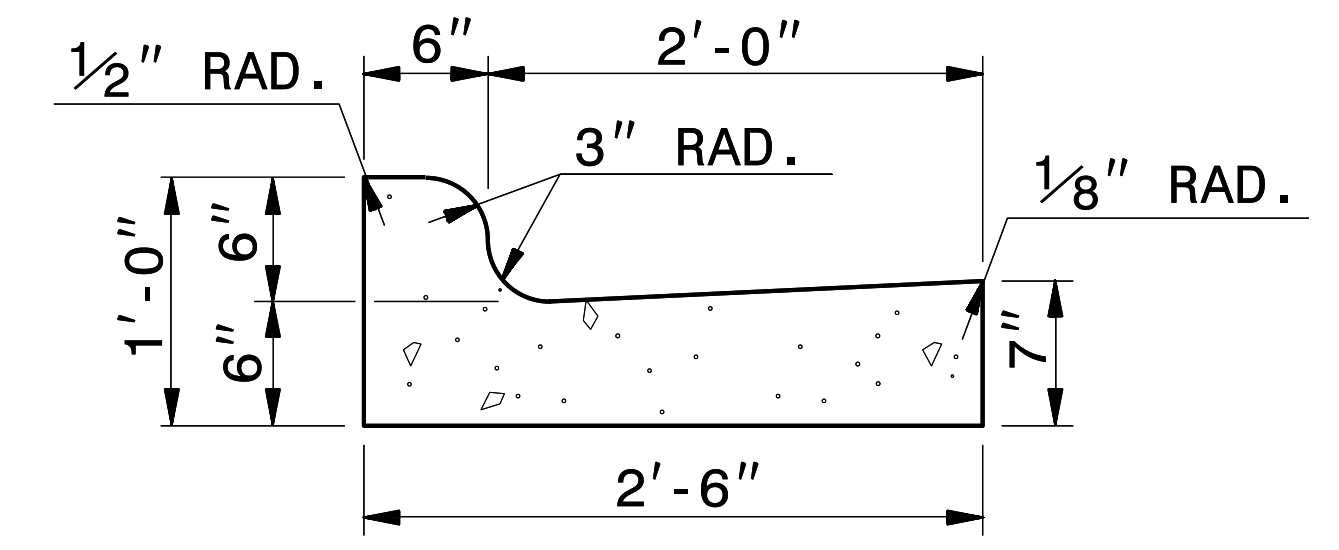


5/14/99

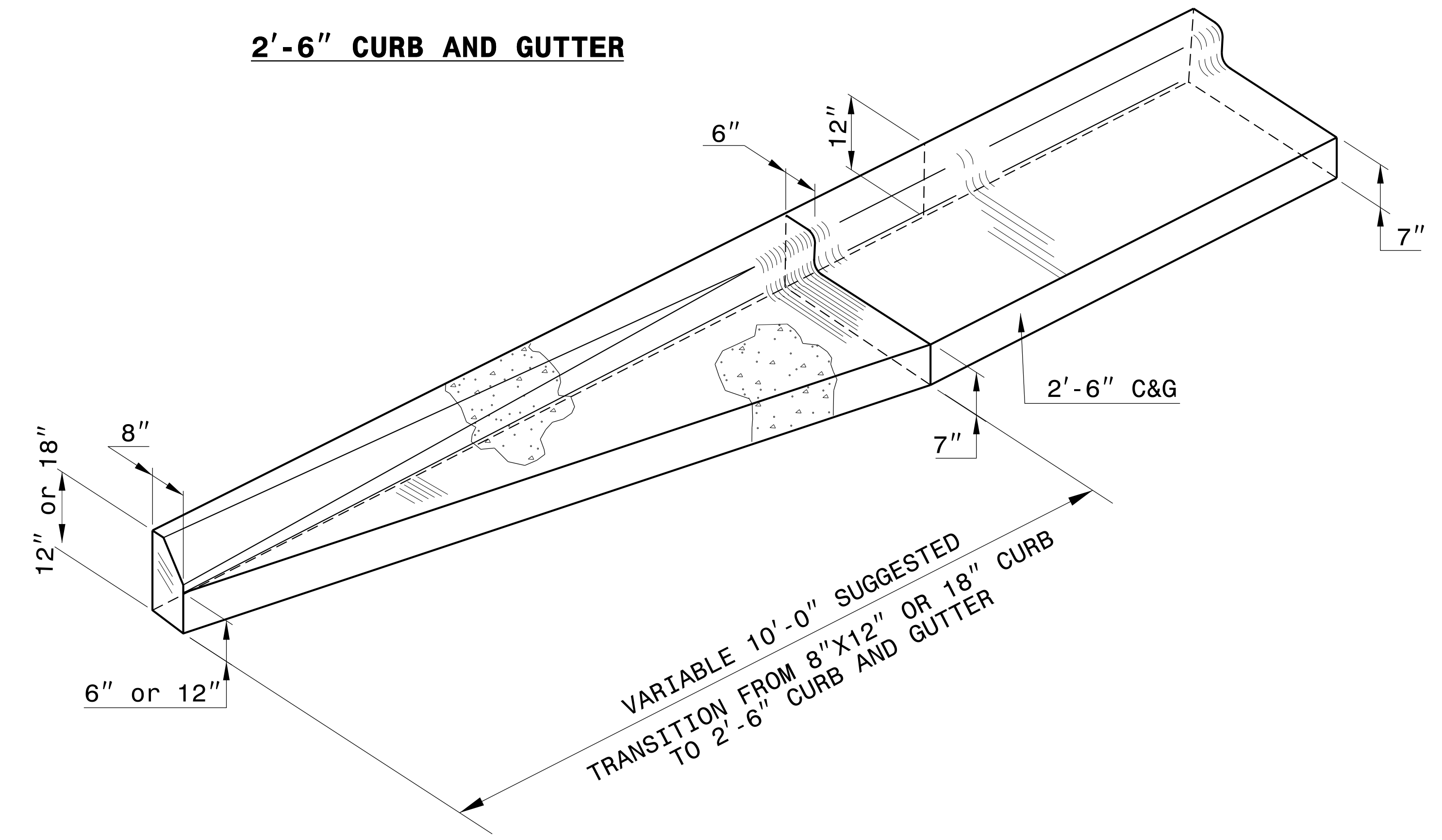
\*NOTE: SEE STD. DWG. 846.01 FOR GENERAL NOTES



**8" X 12" or 18" CONCRETE CURB**



**2'-6" CURB AND GUTTER**

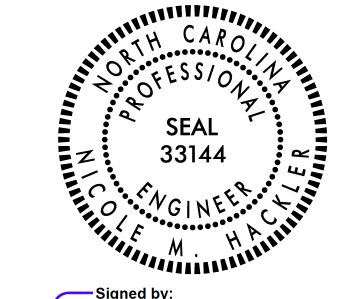


**ISOMETRIC VIEW OF TRANSITION**

VARIABLE 10'-0" SUGGESTED  
TRANSITION FROM 8"X12" OR 18" CURB  
TO 2'-6" CURB AND GUTTER

I:\MAR-2019\_09450  
S:\Contracts\Contractors\Special Details\ericward\usr\details\stand\c&g transition sections.dgn  
J.Hoverton AT USD-292595

9/8/2025



Signed by:  
Nicole M. Hecker  
588432034164CS

DOCUMENT NOT CONSIDERED FINAL  
UNLESS ALL SIGNATURES COMPLETED

<b>CONTRACT STANDARDS AND DEVELOPMENT UNIT</b>	
Office 919-707-6950	FAX 919-250-4119
<b>DETAIL OF 8" x 12" or 18" CURB TO 2'-6" CURB &amp; GUTTER TRANSITION SECTION</b>	
ORIGINAL BY: _____	DATE: _____
MODIFIED BY: K. KEMPF	DATE: 4-05-18
CHECKED BY: _____	DATE: _____
FILE SPEC.: details/ericward/usr/details/stand/cgtransit.dgn	