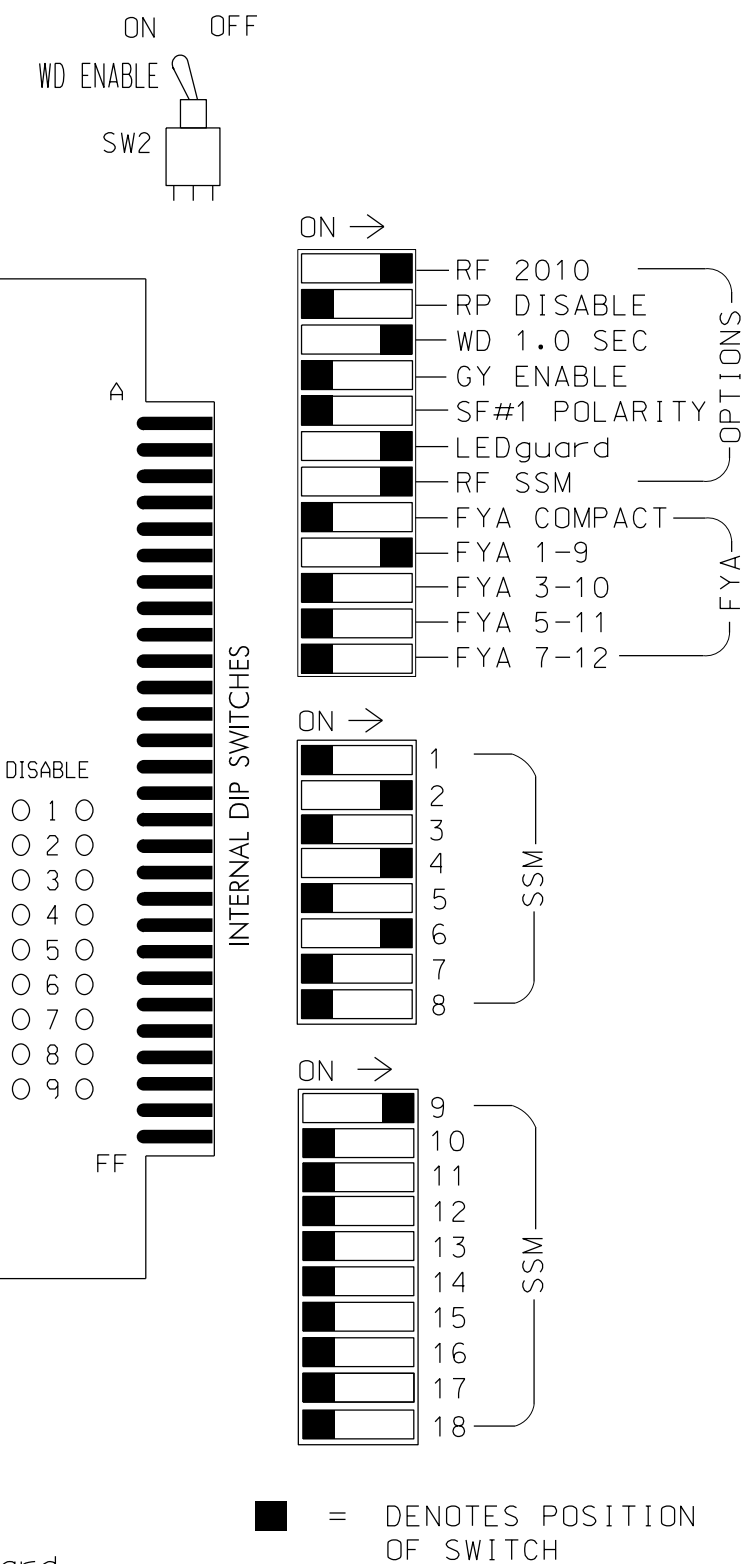
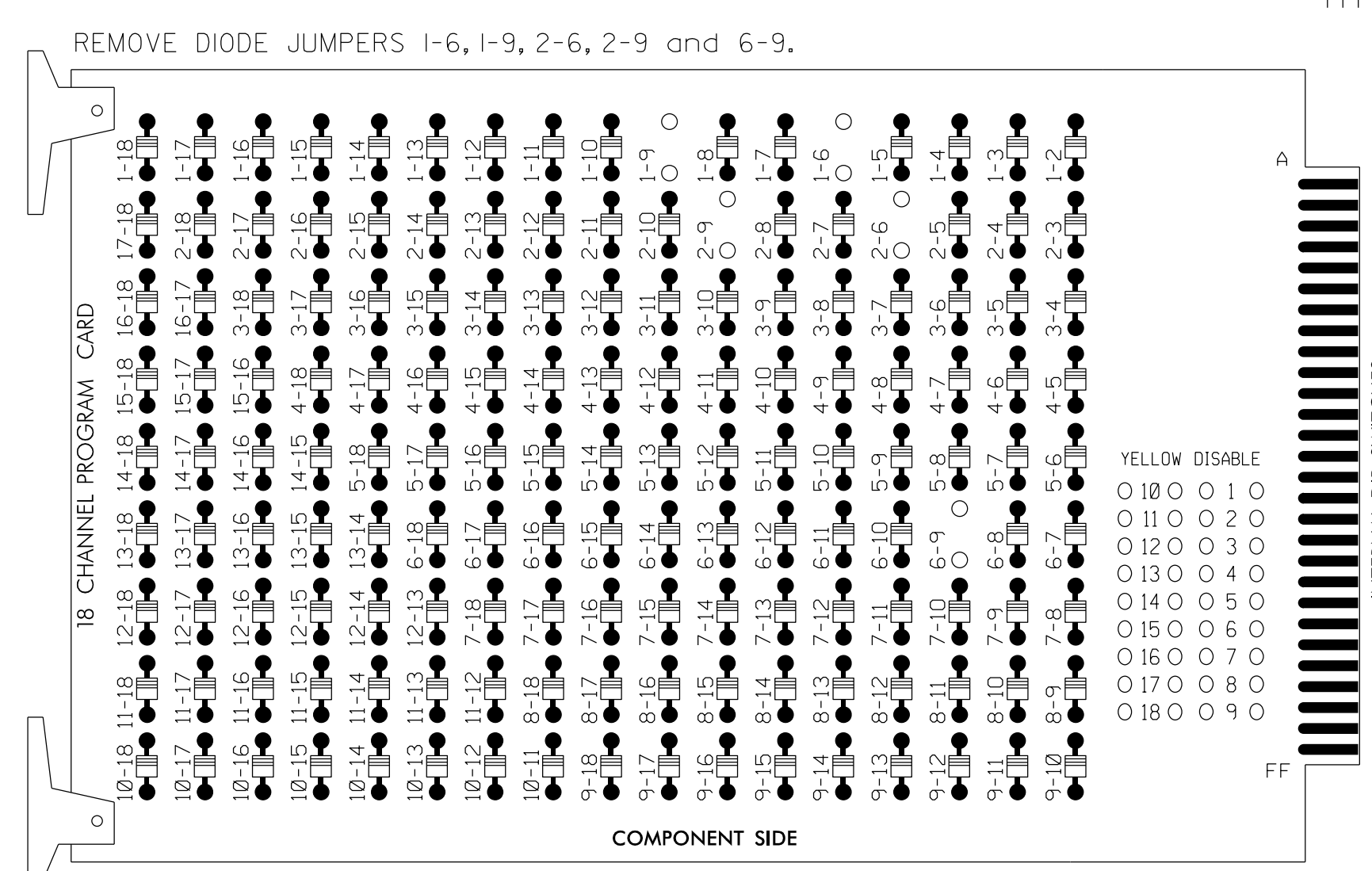


18 CHANNEL IP CONFLICT MONITOR PROGRAMMING DETAIL

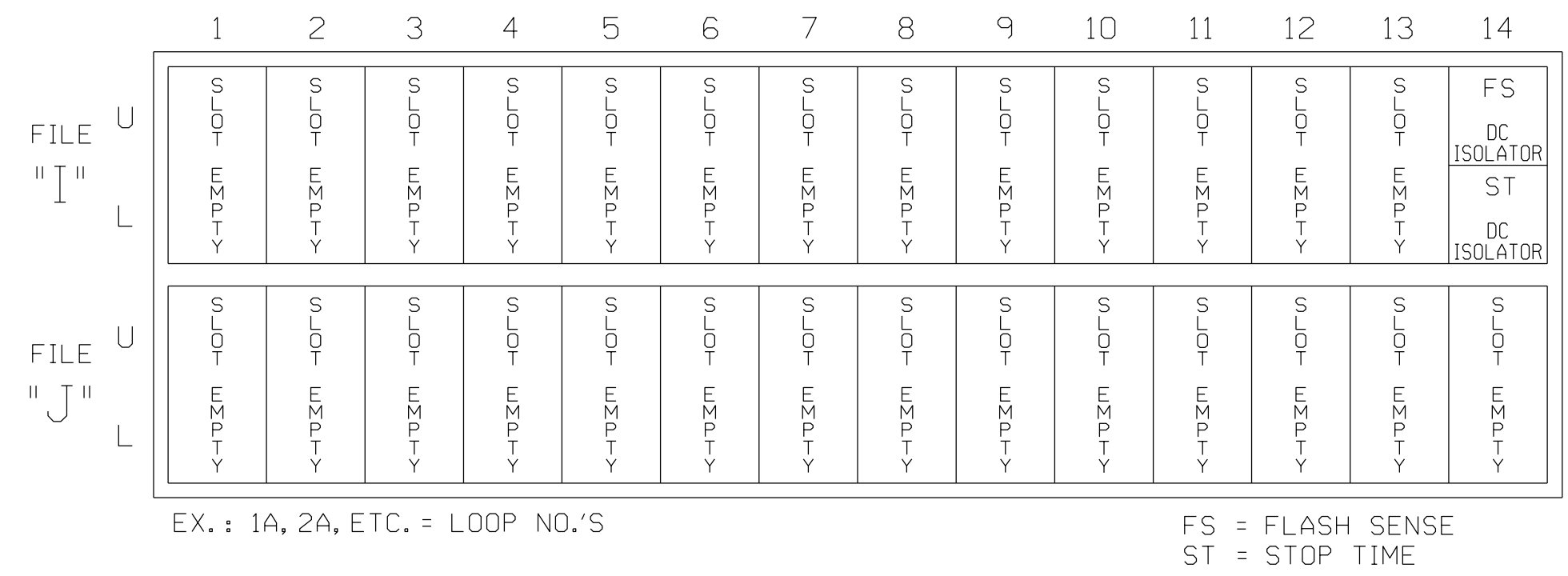
(remove jumpers and set switches as shown)



NOTES:

- Card is provided with all diode jumpers in place. Removal of any jumper allows its channels to run concurrently.
- Ensure jumpers SEL2-SEL5 and SEL9 are present on the monitor board.
- Ensure that Red Enable is active at all times during normal operation.
- Ensure Conflict Monitor Ethernet port is connected to a Switch port located within the cabinet.

INPUT FILE POSITION LAYOUT (front view)



NOTES

- To prevent "flash-conflict" problems, insert red flash program blocks for all vehicle load switches in the output file. The installer shall verify that signal heads flash in accordance with the Signal Plans.
- Initialize database in Trafficware 2070 local software (APOGEE) as FULL-CALTRANS. This initialization should be done prior to programming controller.
- Initialize I/O "C1-C11-ABC 10 Mode" to USER (MM 1-8-6). Then set "Init 2A" to MODE 5 (MM 1-8-9-3).
- Program phases 2 and 6 for Start Up In Green.
- Program "Start Up Flash" for 0 sec. The conflict monitor will govern start-up flash time.
- Ensure "Local Flash Start" feature is set to "RSt".
- Program "Start Red Time" for 6.0 seconds.
- Program controller to provide a 1 second delay on the Flash Sense/Local Flash input. Use the following logic statement to provide this functionality:

FROM MAIN MENU->1->8->7 (I/O LOGIC)	Result Src.Fcn	TimeOp Time
	1208 = 01208	DLY 1
- The cabinet and controller are part of the City of Greensboro Signal System.

EQUIPMENT INFORMATION

CONTROLLER.....2070E
 CABINET.....332 W/ AUX
 SOFTWARE.....TRAFFICWARE APOGEE
 CABINET MOUNT.....BASE
 OUTPUT FILE POSITIONS...18 WITH AUX. OUTPUT FILE
 LOAD SWITCHES USED.....S1,S2,S5,S8,AUX S1
 PHASES USED.....1,2,4,6
 OVERLAP "A".....*
 OVERLAP "B".....NOT USED
 OVERLAP "C".....NOT USED
 OVERLAP "D".....NOT USED
 * See overlap programming detail on sheet 2

SPECIAL DETECTOR NOTE

1) Install a non-intrusive detection system for vehicle detection. Perform installation according to manufacturer's directions and NCDOT engineer-approved mounting locations to accomplish the detection schemes shown on the Signal Design Plans.

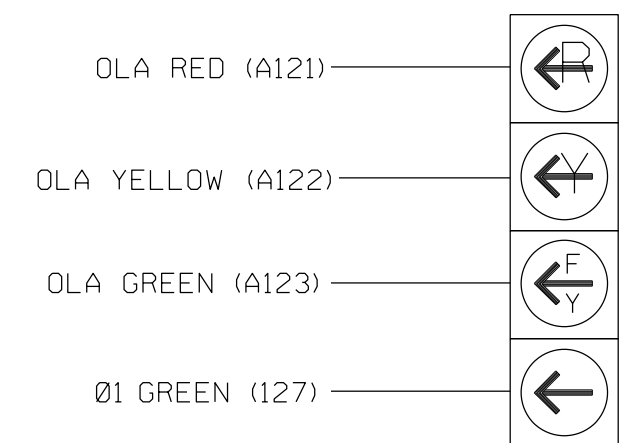
SIGNAL HEAD HOOK-UP CHART

LOAD SWITCH NO.	S1	S2	S3	S4	S5	S6	S7	S8	S9	S10	S11	S12	AUX S1	AUX S2	AUX S3	AUX S4	AUX S5	AUX S6
CMU CHANNEL NO.	1	2	13	3	4	14	5	6	15	7	8	16	9	10	17	11	12	18
PHASE	1	2	2 PED	3	4	4 PED	5	6	6 PED	7	8	8 PED	OLA	OLB	SPARE	OLC	OLD	SPARE
SIGNAL HEAD NO.	11	21	22,24	NU	NU	41,43	NU	NU	61	62	NU	NU	NU	11	NU	NU	NU	NU
RED	128	128			101			134	134									
YELLOW	*	129	129			102		135	135									
GREEN		130				103		136										
RED ARROW													A121					
YELLOW ARROW													A122					
FLASHING YELLOW ARROW													A123					
GREEN ARROW	127	130								136								

NU = Not Used
 * Denotes install load resistor. See load resistor installation detail this sheet.
 * See pictorial of head wiring in detail below.

FYA SIGNAL WIRING DETAIL

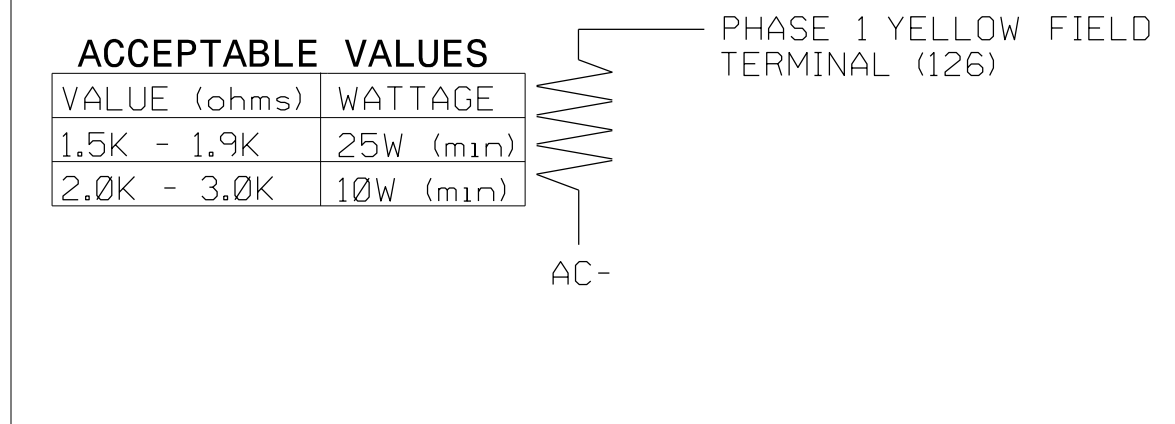
(wire signal head as shown)



11

LOAD RESISTOR INSTALLATION DETAIL

(install resistor as shown below)



THIS ELECTRICAL DETAIL IS FOR THE SIGNAL DESIGN: 07-1648T2
 DESIGNED: January 2025
 SEALED: 03-14-2025
 REVISED: N/A

Electrical Detail - Sheet 1 of 3
 Temporary Design 2

ELECTRICAL AND PROGRAMMING DETAILS FOR: Prepared for the Offices of: 750 N. Greenfield Pkwy, Garner, NC 27529	SR 1850 (Sandy Ridge Road) at I-40 EB Ramps Division 7 Guilford County Greensboro	SEAL SEAL ANTHONY M. ENCARNACION
	DOCUMENT NOT CONSIDERED FINAL UNLESS ALL SIGNATURES COMPLETED	
Prepared by: JT Stiff REVISIONS: _____ INIT.: _____ DATE: _____	Reviewed by: AM Encarnacion PREPARED BY: JT Stiff REVIEWED BY: PL Alexander	3/14/2025 SIGNATURE: _____ DATE: _____ SIG. INVENTORY NO. 07-1648T2

AtkinsRéalis
 1616 EAST MILLBROOK ROAD, SUITE 160
 RALEIGH, NORTH CAROLINA 27609
 (919) 876-6888 NCBEES #F-0326