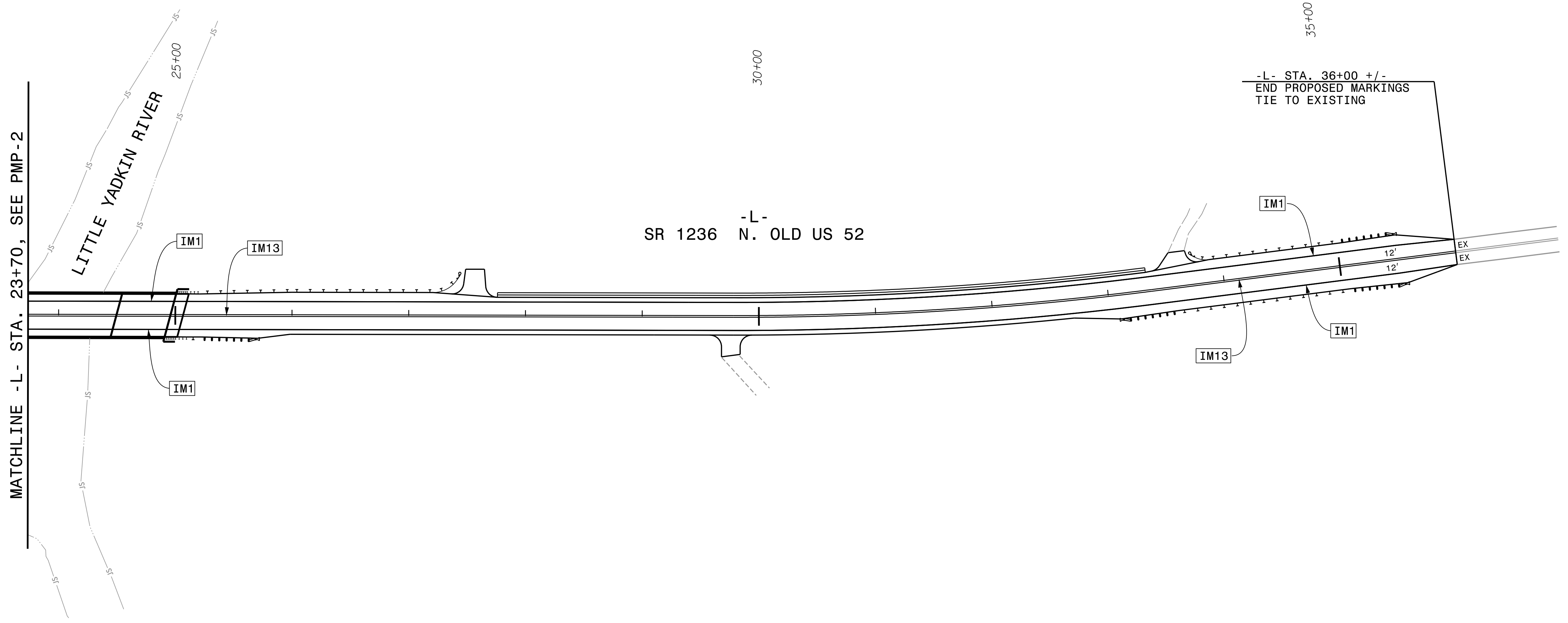
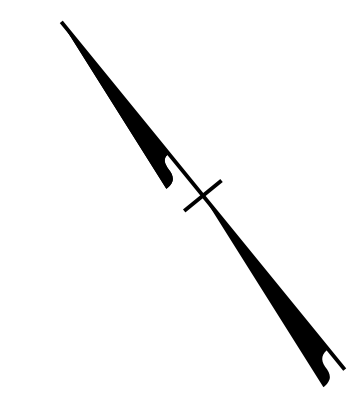


**DOCUMENT NOT CONSIDERED FINAL
UNLESS ALL SIGNATURES COMPLETED**



MATCHLINE -L- STA. 23+70, SEE PMP-2

LITTLE YADKIN RIVER

-L-
SR 1236 N. OLD US 52

-L- STA. 36+00 +/-
END PROPOSED MARKINGS
TIE TO EXISTING

PAVEMENT MARKING SCHEDULE

- IM1** INTEGRATED MULTIPOLYMER WHITE EDGE LINE (4", 90 MIL)
- IM5** INTEGRATED MULTIPOLYMER 2'-6"/SP. WHITE MINI-SKIP (4", 90 MIL)
- IM13** INTEGRATED MULTIPOLYMER YELLOW DOUBLE CENTER (4", 90 MIL)
- MA** PERMANENT RAISED MARKER YELLOW & YELLOW
- ME** POLYCARBONATE H-SHAPED SNOWPLOWABLE MARKER YELLOW & YELLOW

LANE WIDTHS ARE 12', UNLESS NOTED

PAVEMENT MARKING PLAN

PLOT DRIVER: NCDOT_pdf_color_eng_50.pht
PENTABLE: NCDOT_PMP.tbl
USER: CHARNDEN
DATE: 1/21/2025
TIME: 10:17:47 AM
FILE: p:\dwg\hdr\users\01\HDR_US_Eost\01\Documents\17BP.9.R.83\Traffic\ Pavement\ Markings\840286.PM_PMP03.dgn