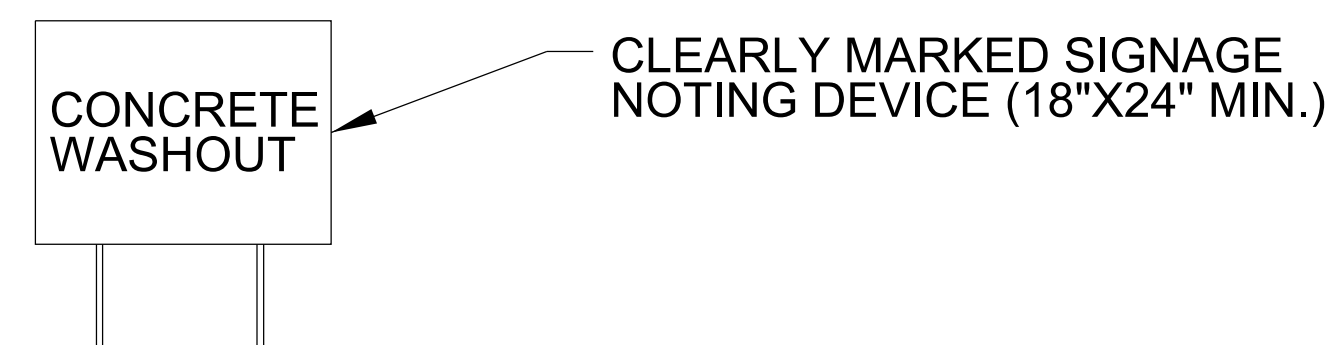
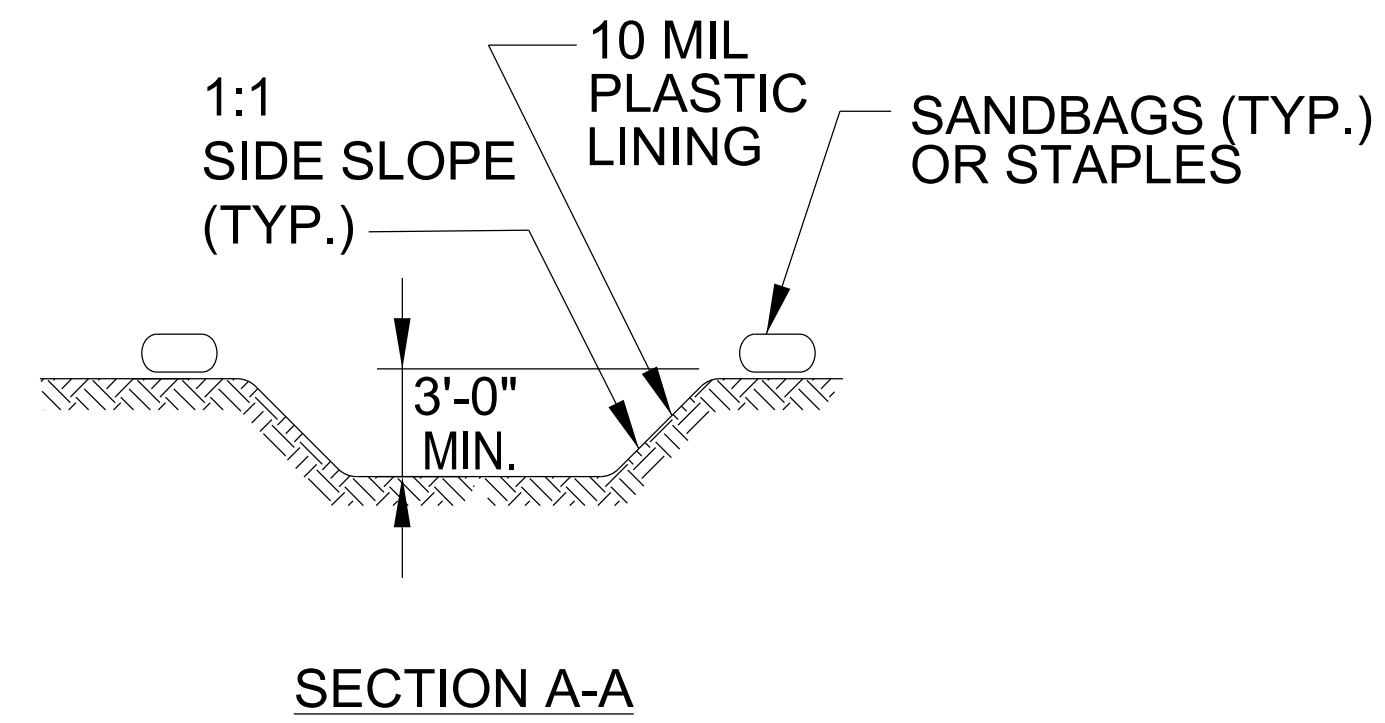
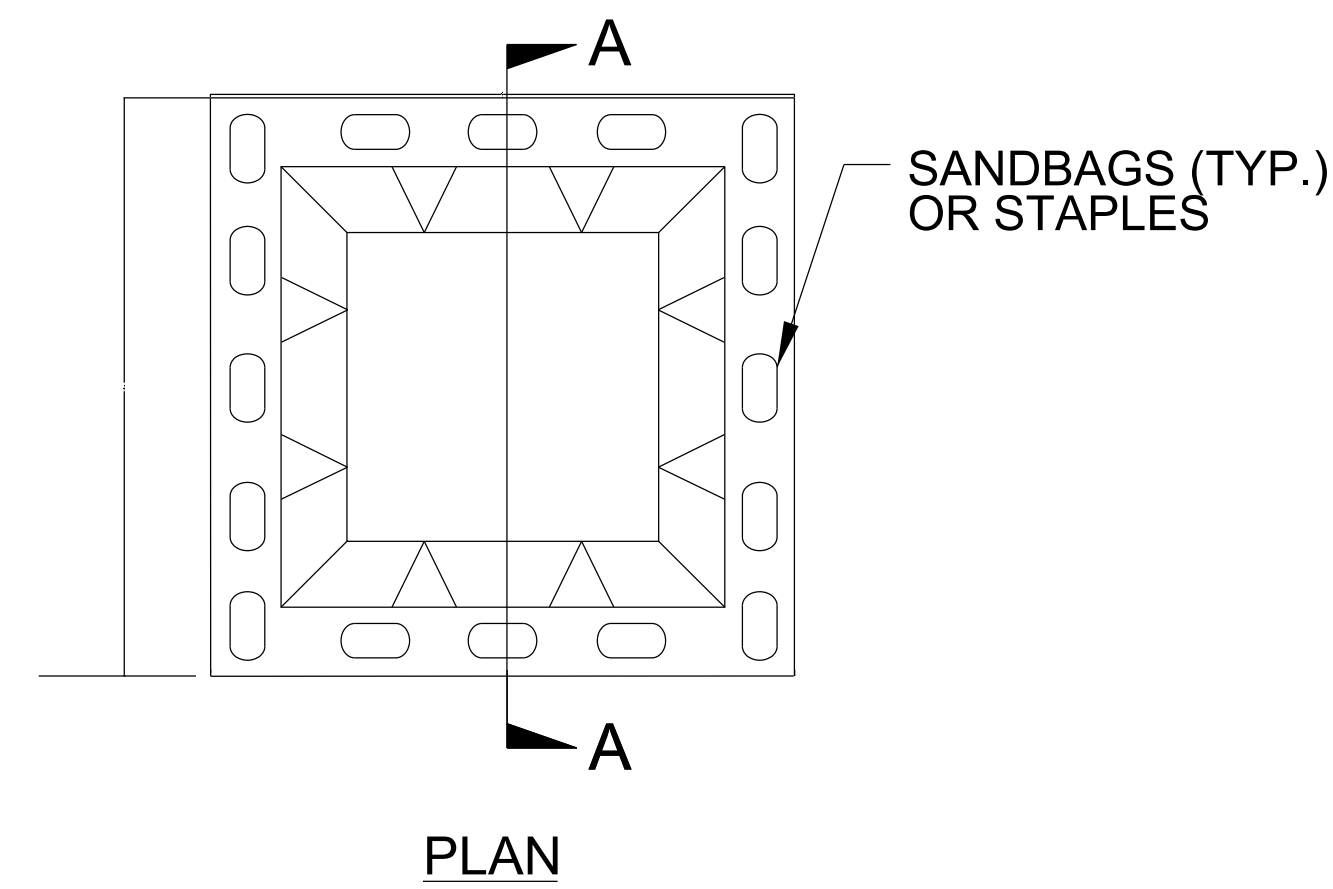


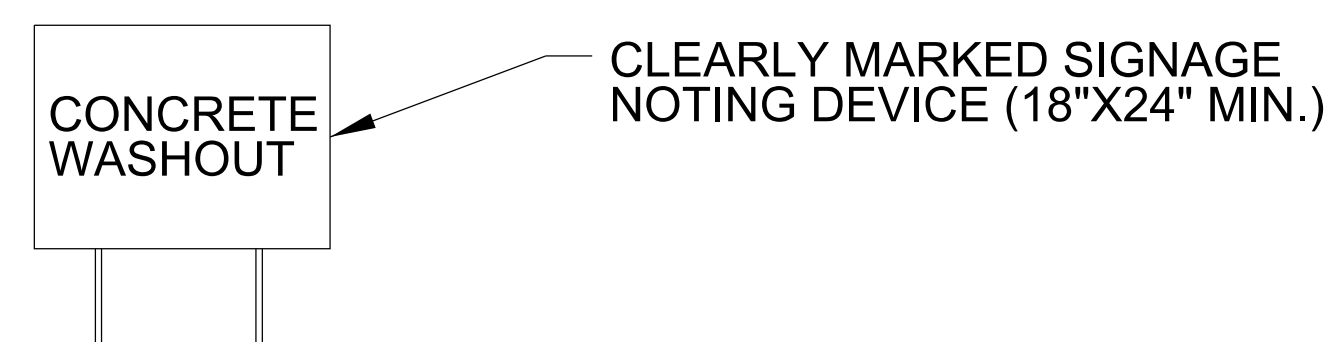
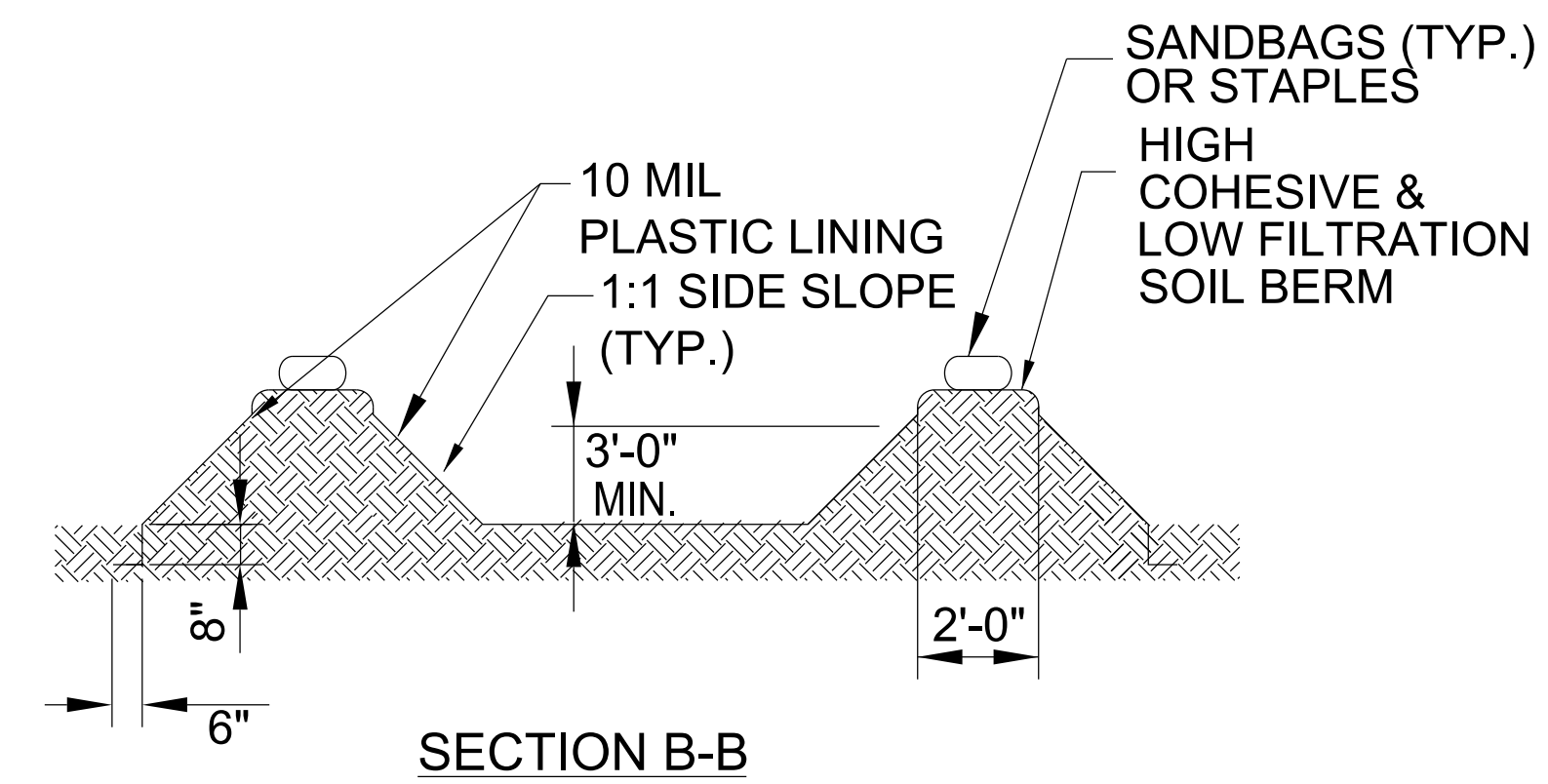
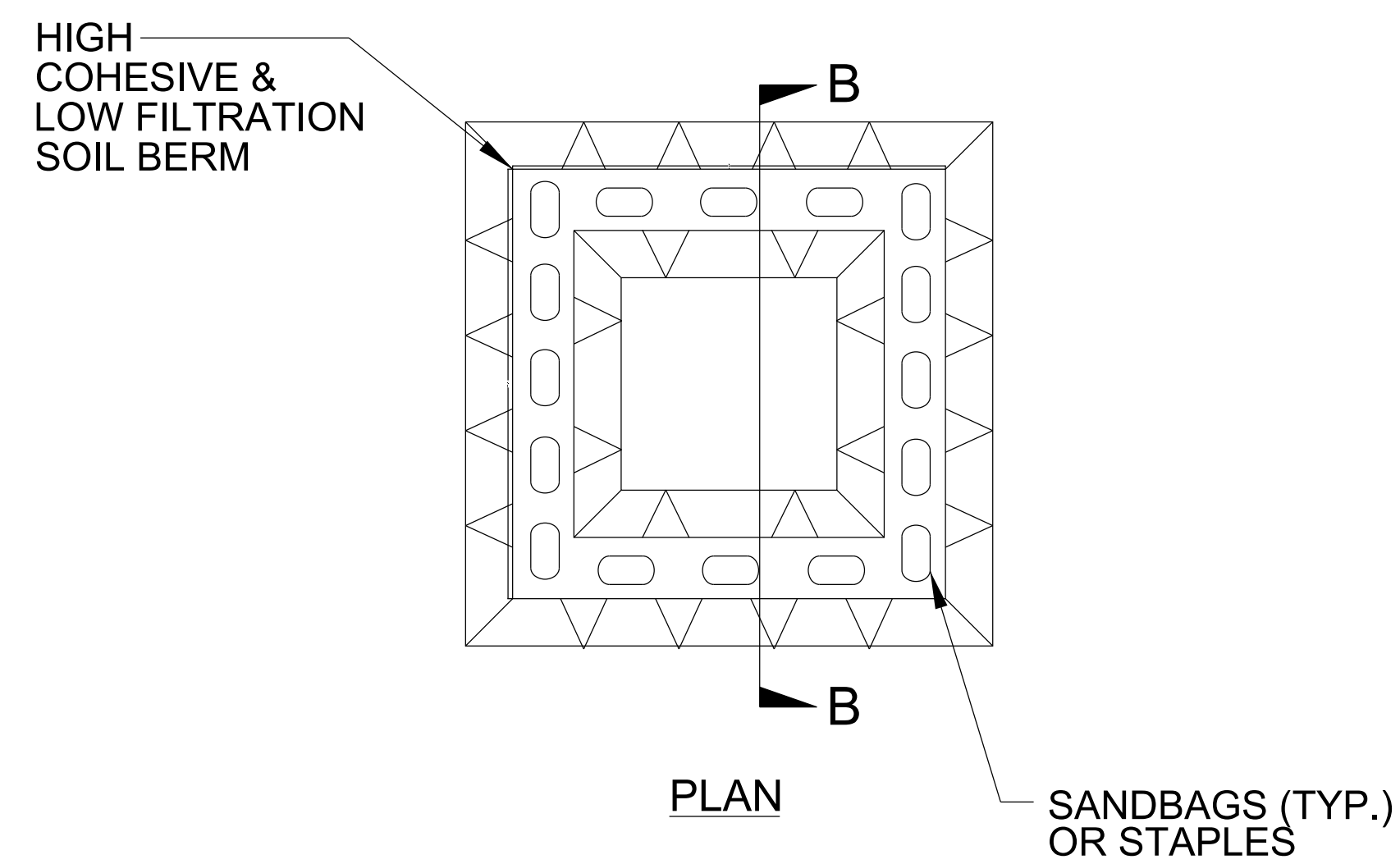
PROJECT REFERENCE NO. 17BP.7R.J16	SHEET NO. EC-2A
RW SHEET NO.	
ROADWAY DESIGN ENGINEER	HYDRAULICS ENGINEER

# ONSITE CONCRETE WASHOUT STRUCTURE WITH LINER



**BELOW GRADE WASHOUT STRUCTURE**  
NOT TO SCALE

- NOTES:
1. ACTUAL LOCATION DETERMINED IN FIELD
  2. THE CONCRETE WASHOUT STRUCTURES SHALL BE MAINTAINED WHEN THE LIQUID AND/OR SOLID REACHES 75% OF THE STRUCTURES CAPACITY TO PROVIDE ADEQUATE HOLDING CAPACITY WITH A MINIMUM 12 INCHES OF FREEBOARD.
  3. CONCRETE WASHOUT STRUCTURE NEEDS TO BE CLEARLY MARKED WITH SIGNAGE NOTING DEVICE.



**ABOVE GRADE WASHOUT STRUCTURE**  
NOT TO SCALE

- NOTES:
1. ACTUAL LOCATION DETERMINED IN FIELD
  2. THE CONCRETE WASHOUT STRUCTURES SHALL BE MAINTAINED WHEN THE LIQUID AND/OR SOLID REACHES 75% OF THE STRUCTURES CAPACITY TO PROVIDE ADEQUATE HOLDING CAPACITY WITH A MINIMUM 12 INCHES OF FREEBOARD.
  3. CONCRETE WASHOUT STRUCTURE NEEDS TO BE CLEARLY MARKED WITH SIGNAGE NOTING DEVICE.