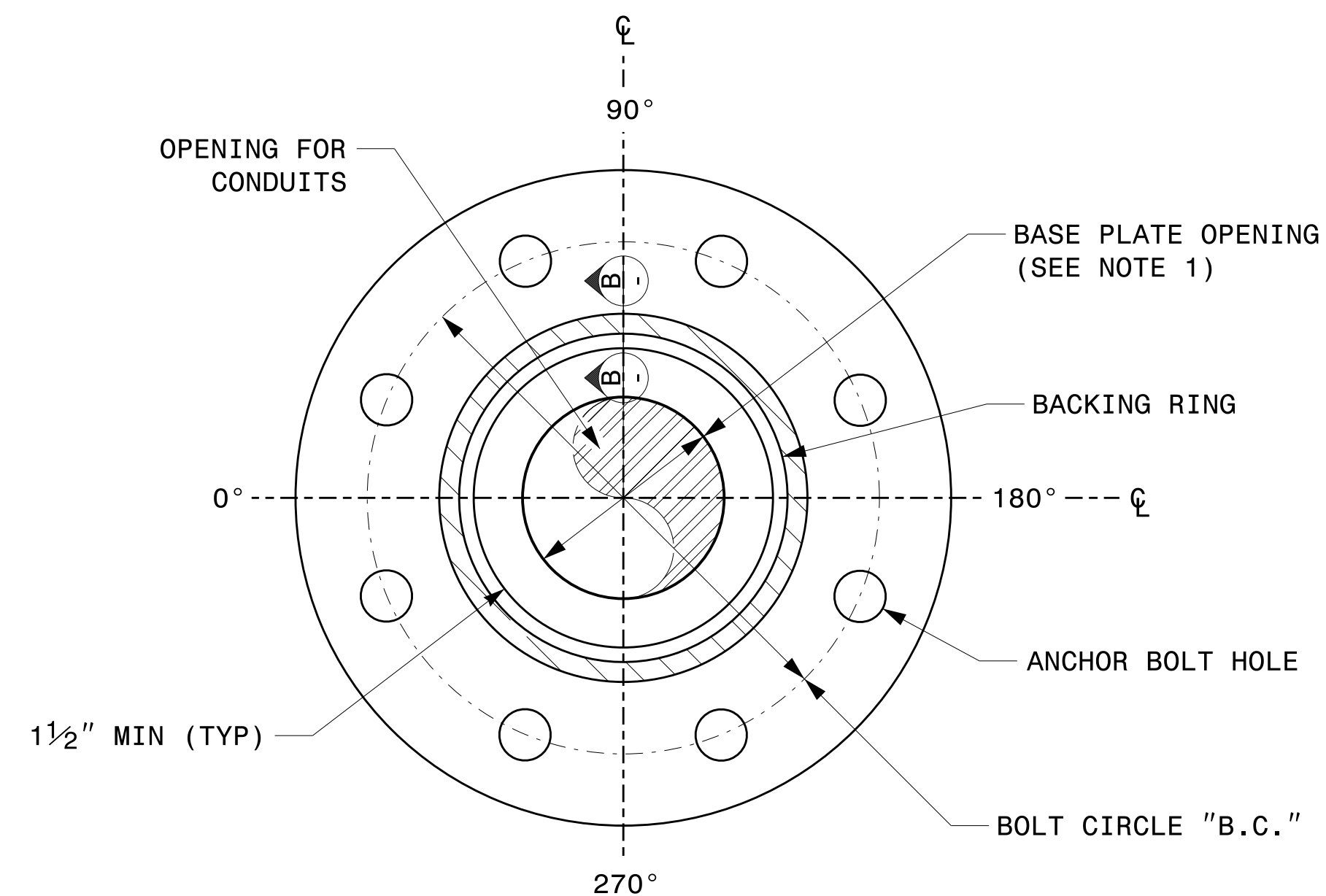
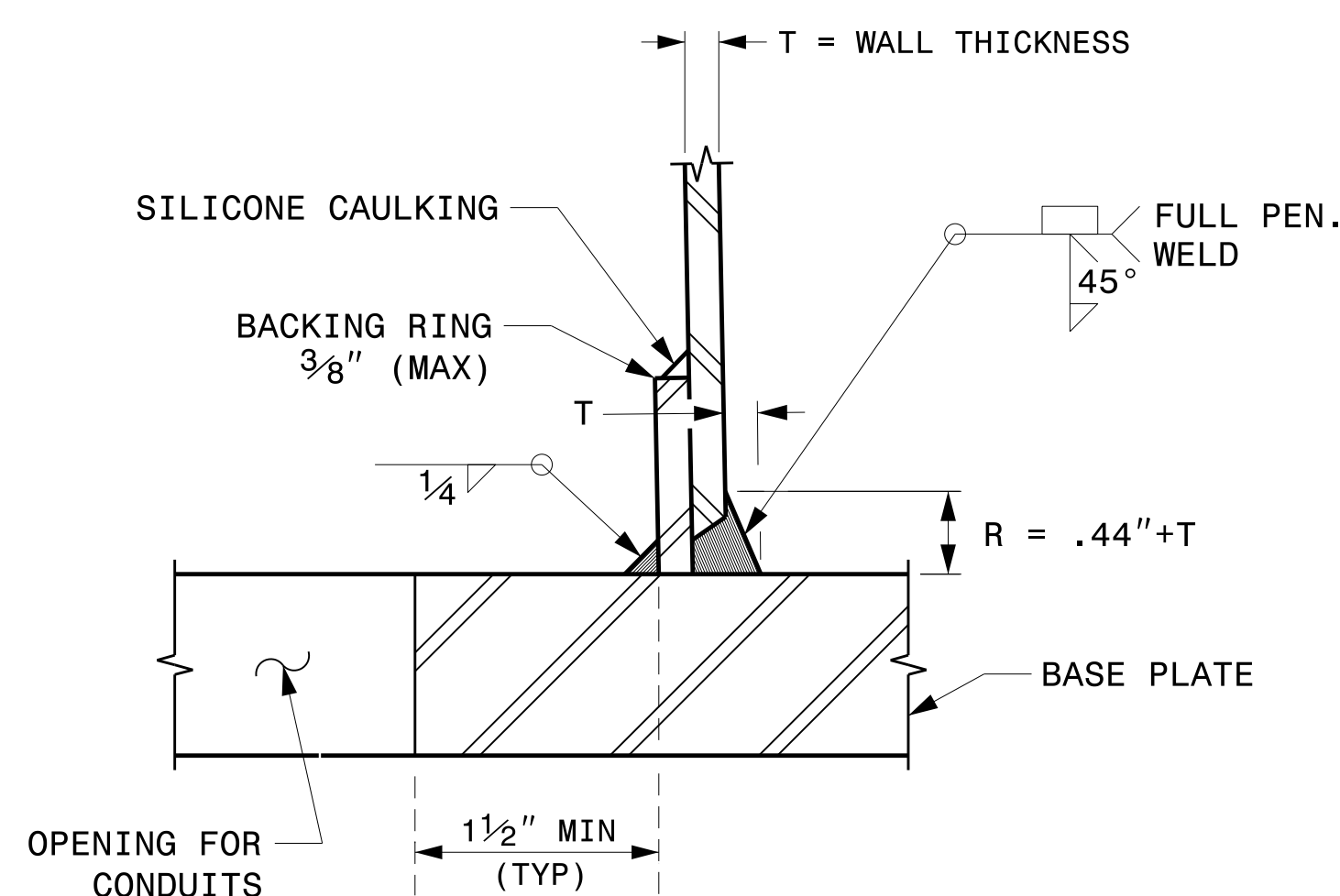


NOTE:

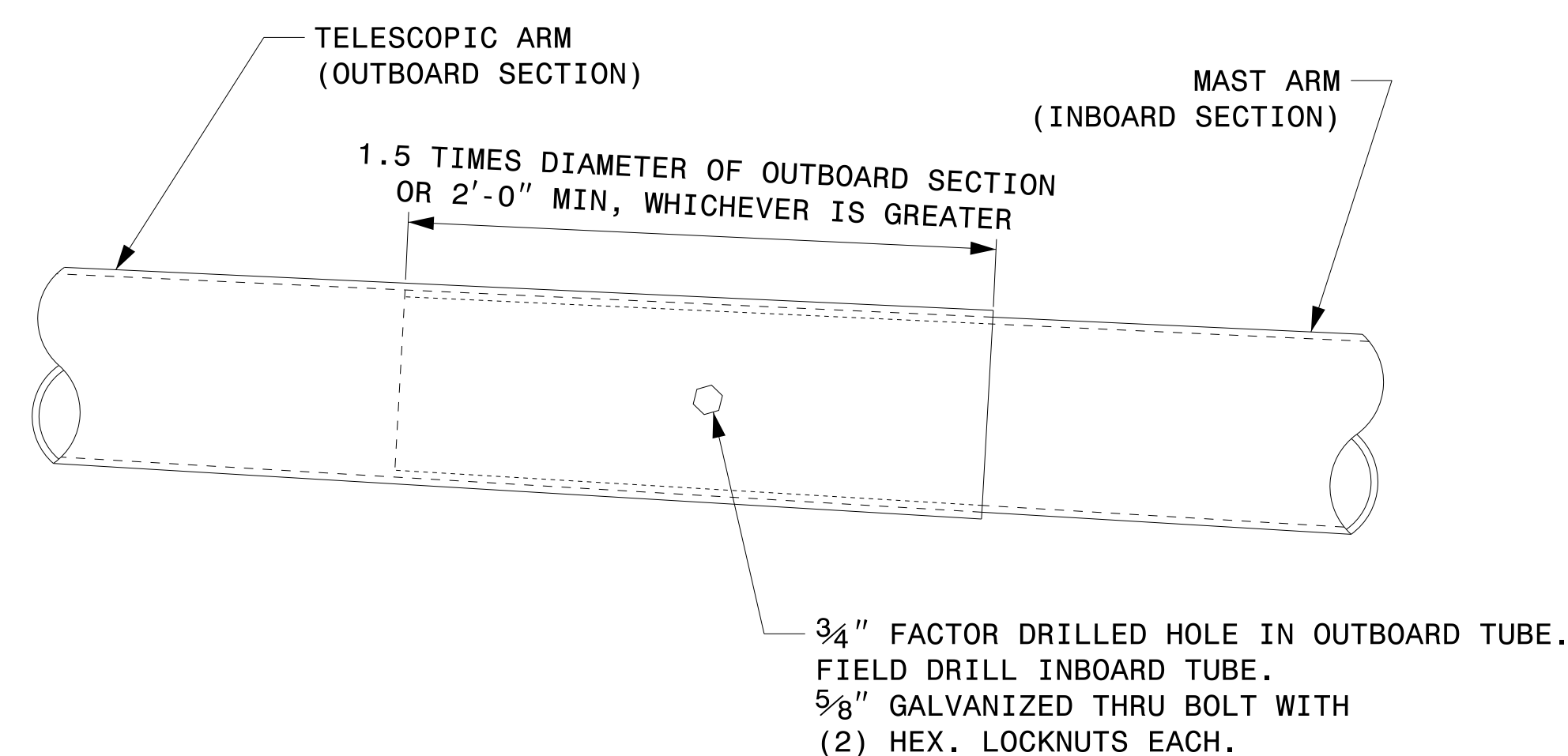
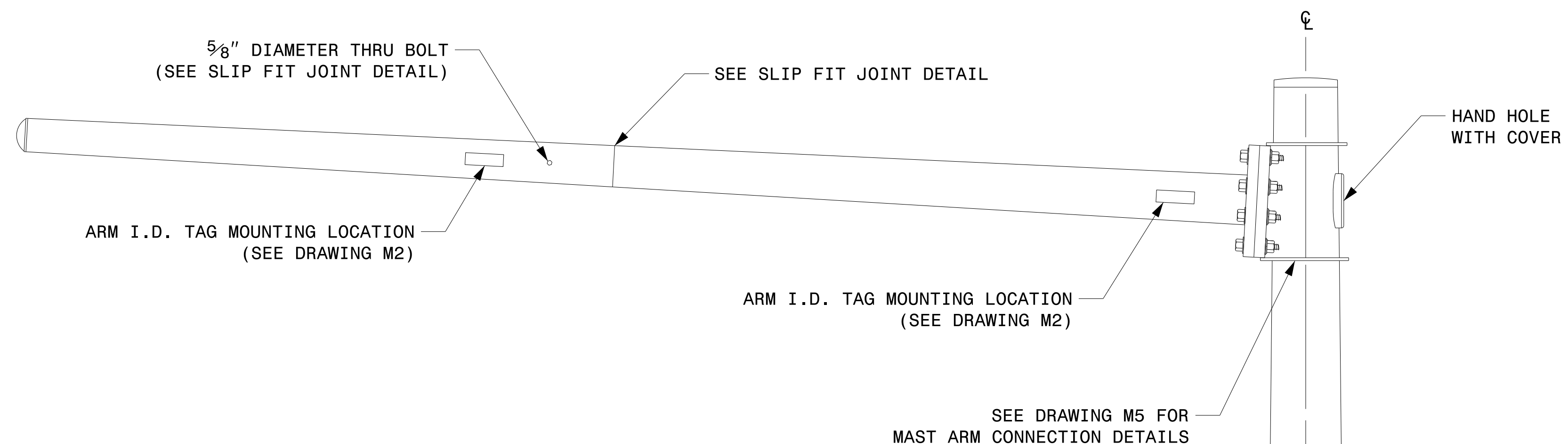
1. OPENING IN POLE BASE PLATE SHALL BE EQUAL TO POLE BASE INSIDE DIAMETER MINUS $3\frac{1}{2}$ " BUT SHALL NOT BE LESS THAN $8\frac{1}{2}$ ".



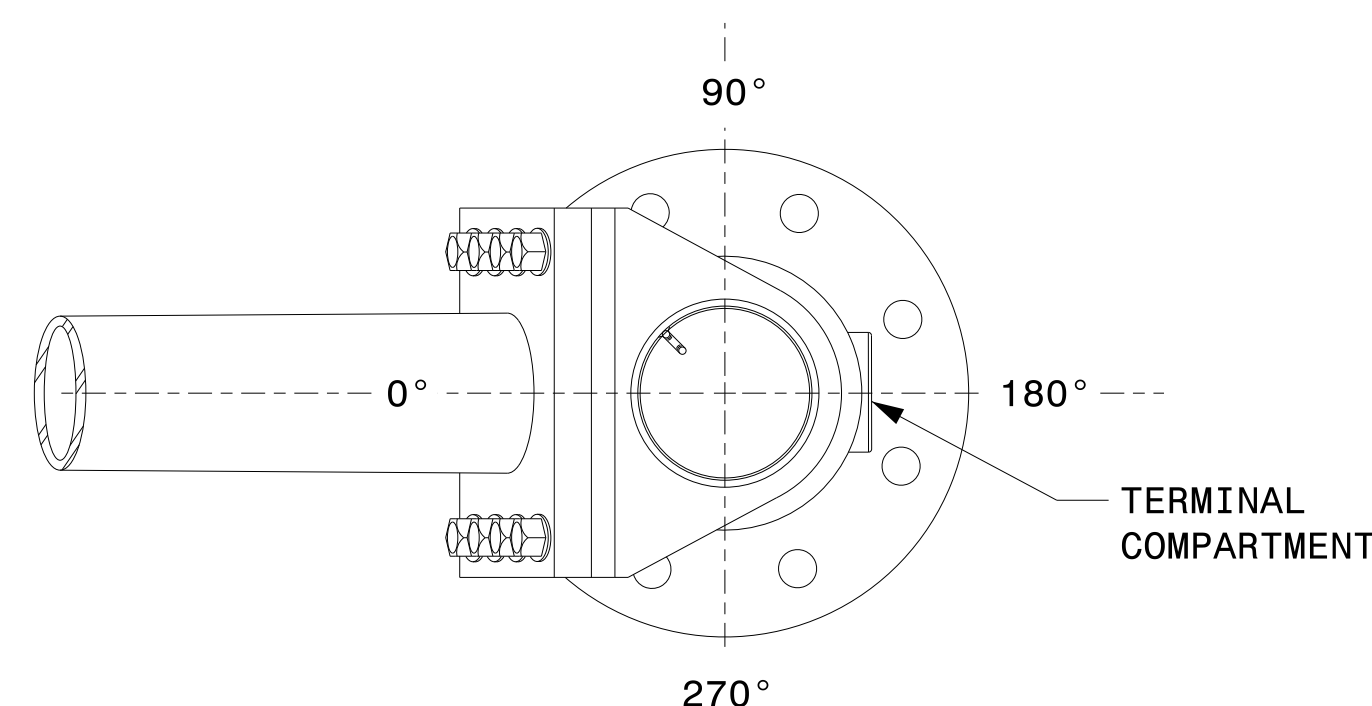
SECTION A-A
POLE BASE PLATE DETAILS



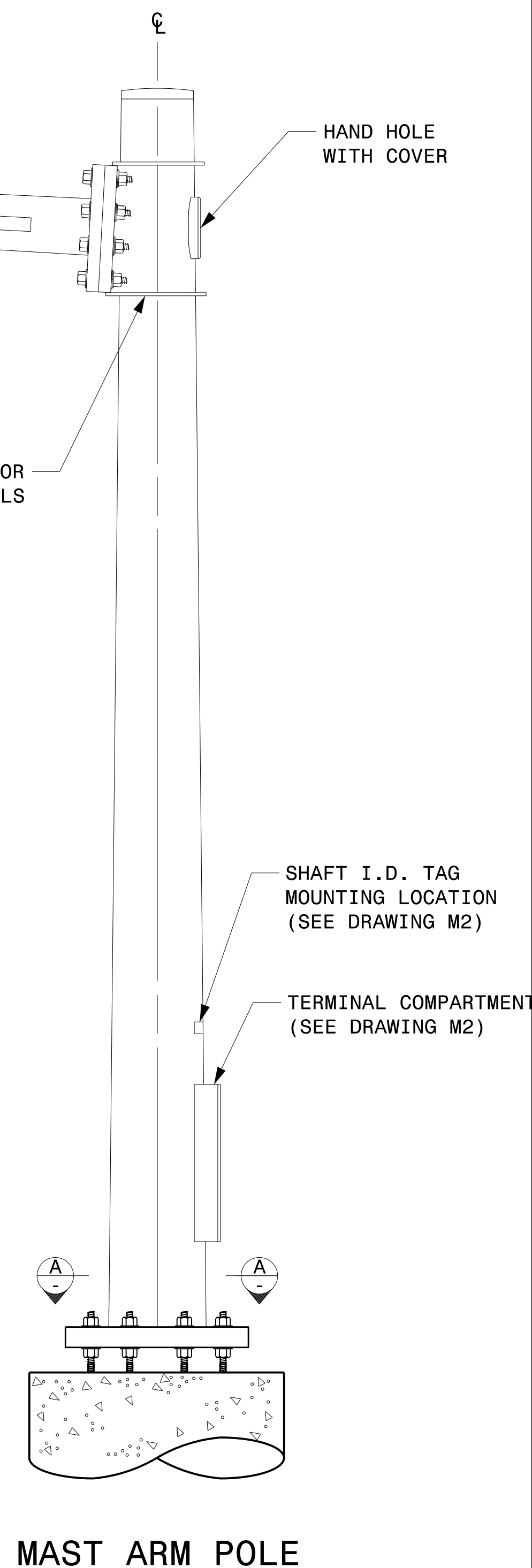
SECTION B-B
(POLE ATTACHMENT TO BASE PLATE)
FULL-PENETRATION
GROOVE WELD DETAIL



SLIP FIT JOINT DETAIL FOR MAST ARM



MAST ARM RADIAL ORIENTATION



MAST ARM POLE

Prepared in the Offices of:

750 N. Greenfield Pkwy, Garner, NC 27529

SCALE: NA
NONE

Typical Fabrication Details For Mast Arm Poles			
PLAN DATE:	SEPTEMBER 2023	DESIGNED BY:	K.C. DURIGON
PREPARED BY:	K.C. DURIGON	REVIEWED BY:	D.C. SARKAR
REVISIONS	INIT.	DATE	

SEAL

DocuSigned by:
Kevin Durigon
SIGNATURE

09/21/2023
DATE

09-drt-2023-10-31E
S:\155504115\Sig.M4\15\Sig.M4 Str. Fabrication Details-Mast Arm Poles.dgn
Kedar Tagon

Fabrication Details – Mast Arm Poles