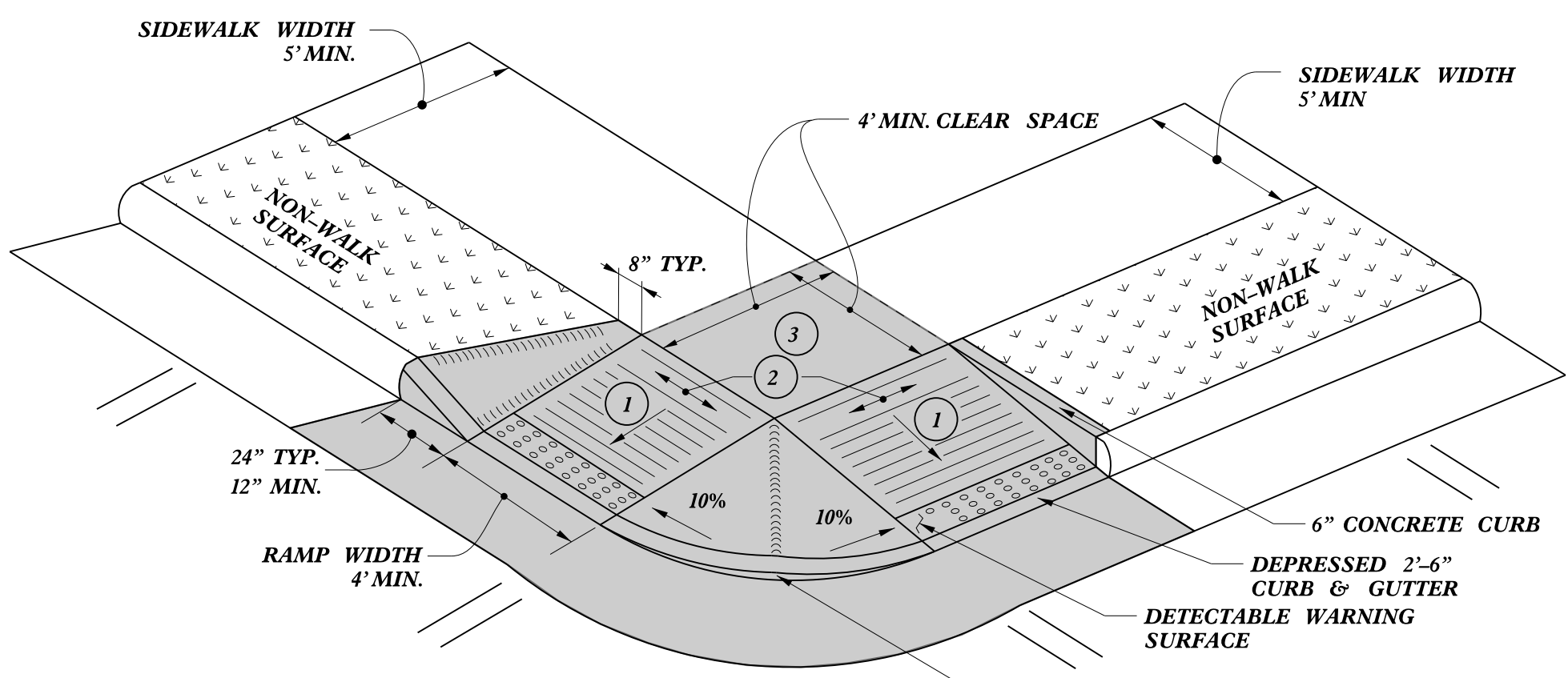
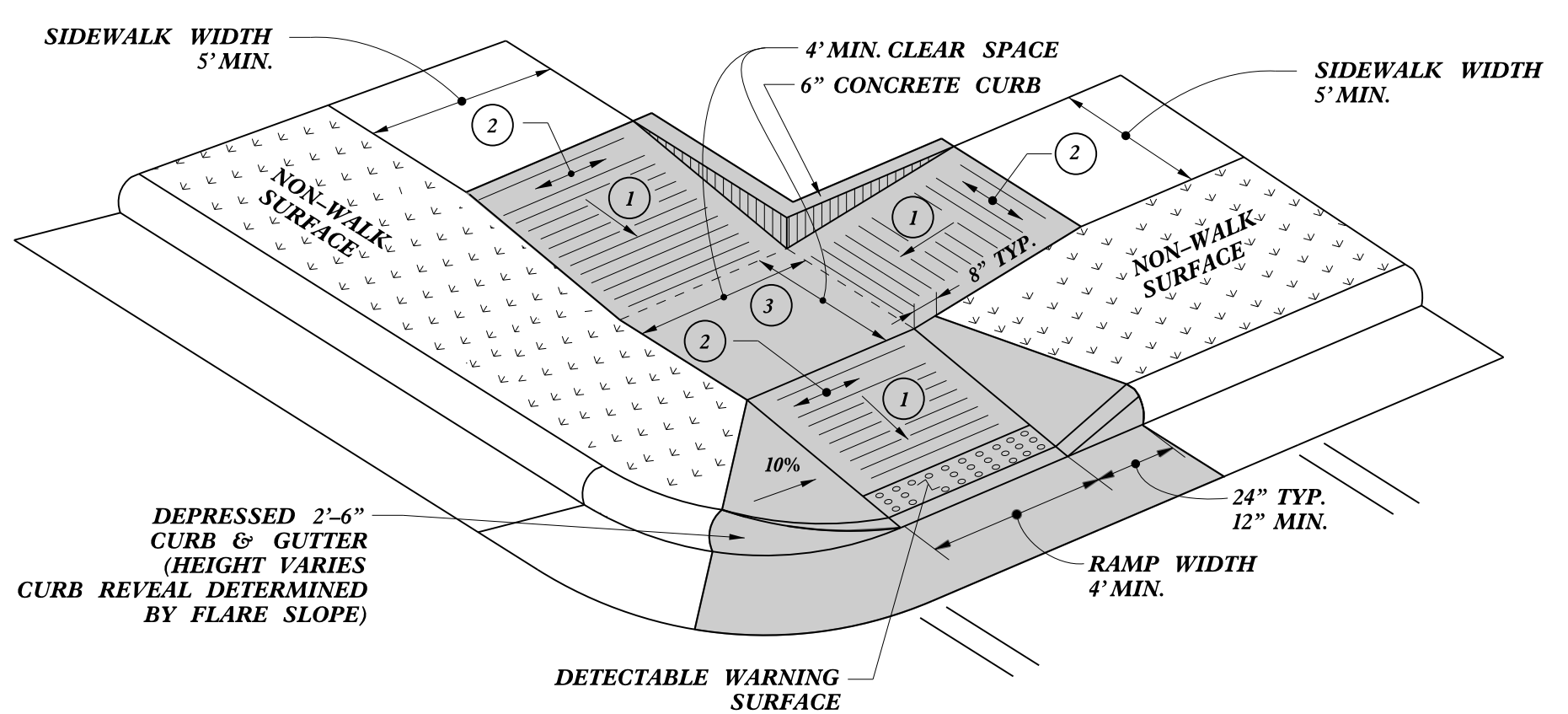


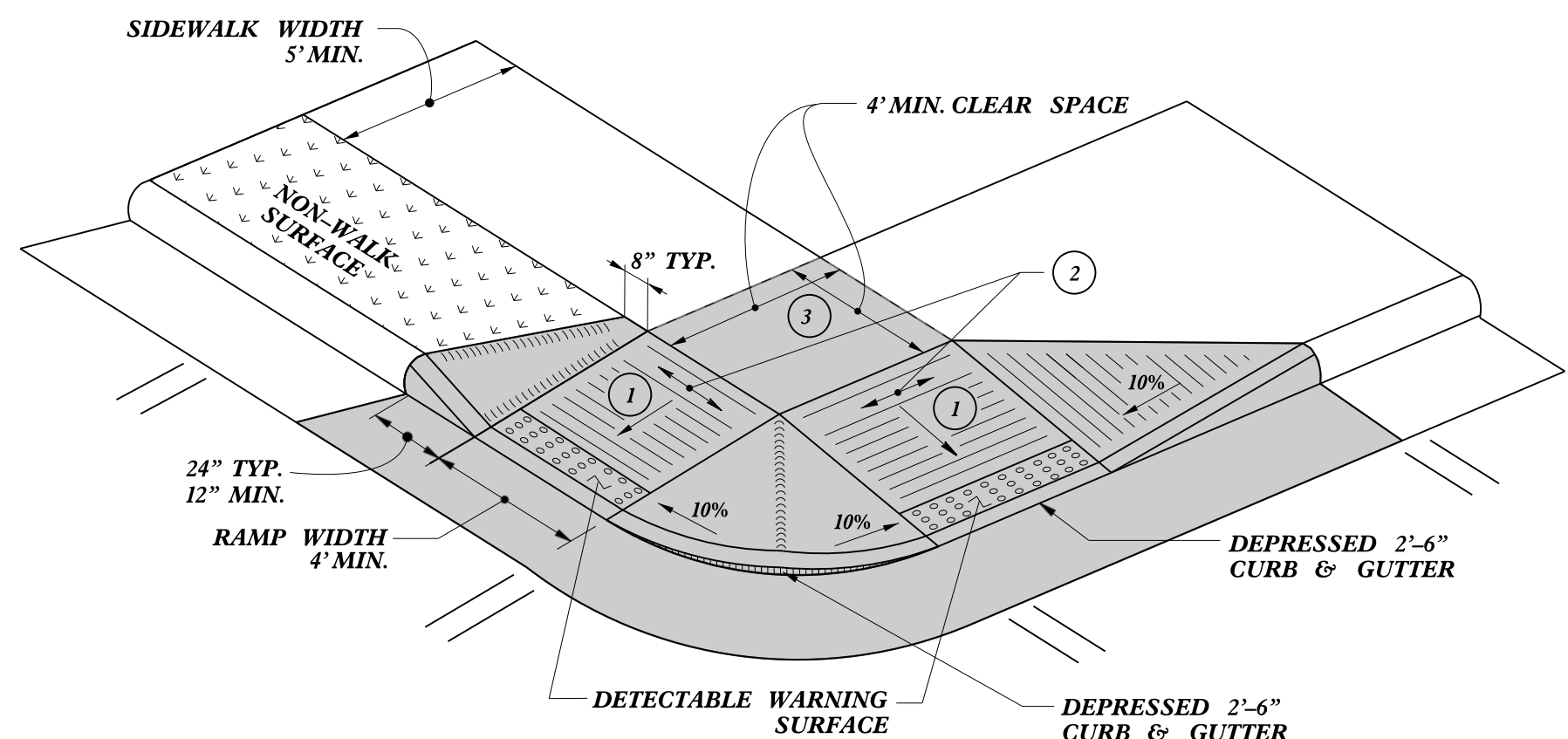
**TYPE 4**



**TYPE 4A**

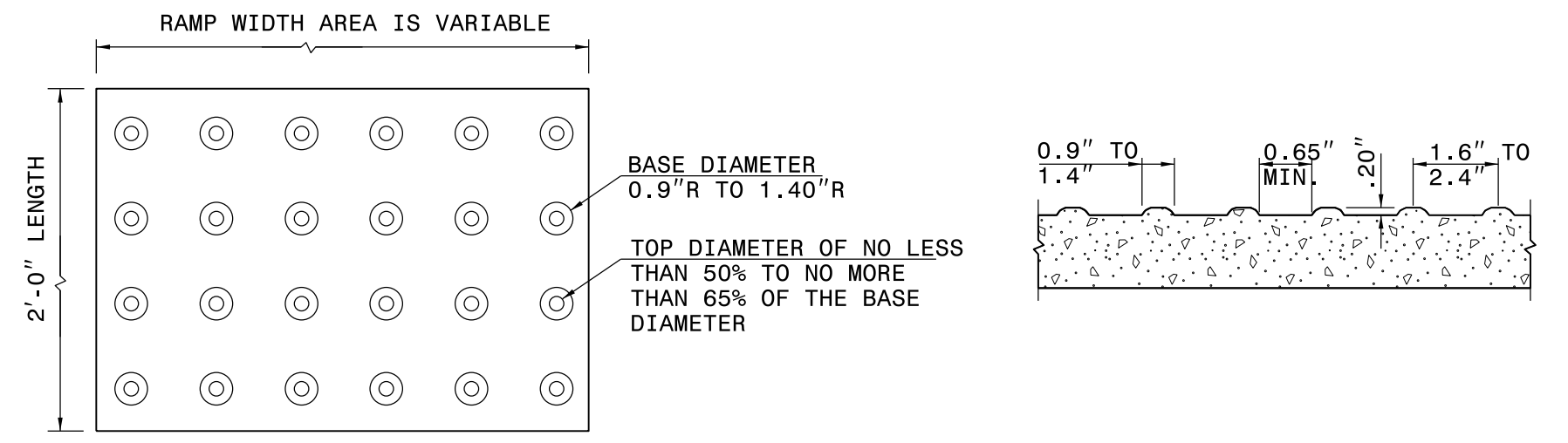


**TYPE 4B**



**TYPE 4C**

NOTES:  
DETECTABLE WARNING SURFACE SHALL COVER 2'-0" LENGTH AND FULL WIDTH OF THE RAMP FLOOR AS SHOWN ON THE DETAILS.  
DETECTABLE WARNING SURFACE SHALL CONTRAST VISIBLY WITH ADJOINING SURFACE, EITHER LIGHT-ON-DARK, OR DARK-ON-LIGHT SEQUENCE COVERING THE ENTIRE RAMP.



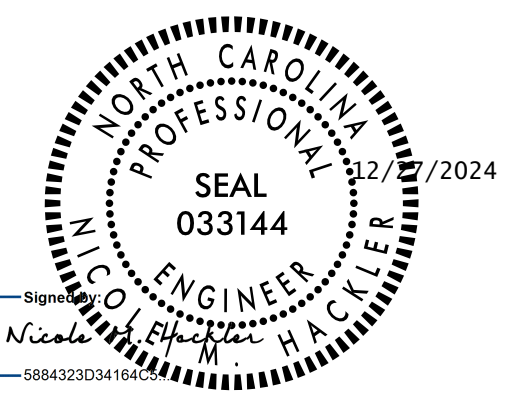
**DETECTABLE WARNING SURFACE**

- 1 8.33% (12:1) MAX RAMP SLOPE
- 2 CROSS SLOPE: 2.00%
- 3 MAXIMUM CROSS SLOPE AND LONGITUDINAL SLOPE OF 2.00%

PAY LIMITS FOR 1 OR 2 CURB RAMPS  
(CALCULATE BASED ON NUMBER OF SETS OF DETECTABLE WARNING SURFACES)

STATE OF NORTH CAROLINA  
DEPT. OF TRANSPORTATION  
DIVISION OF HIGHWAYS  
RALEIGH, N.C.

ROADWAY DETAIL DRAWING FOR  
**CURB RAMP**  
SHARED LANDING



SHEET 10 OF 13  
**848D06**

DOCUMENT NOT CONSIDERED FINAL  
UNLESS ALL SIGNATURES COMPLETED

CONTRACTS STANDARDS  
AND DEVELOPMENT UNIT  
Office 919-707-6950 FAX 919-250-4119

**SEE TITLE BLOCK**

ORIGINAL BY: S. CALHOUN DATE: 12-22-2023  
MODIFIED BY: DATE:  
CHECKED BY: DATE:  
FILE SPEC.: special\_details\nmhackler\848D0610.dgn