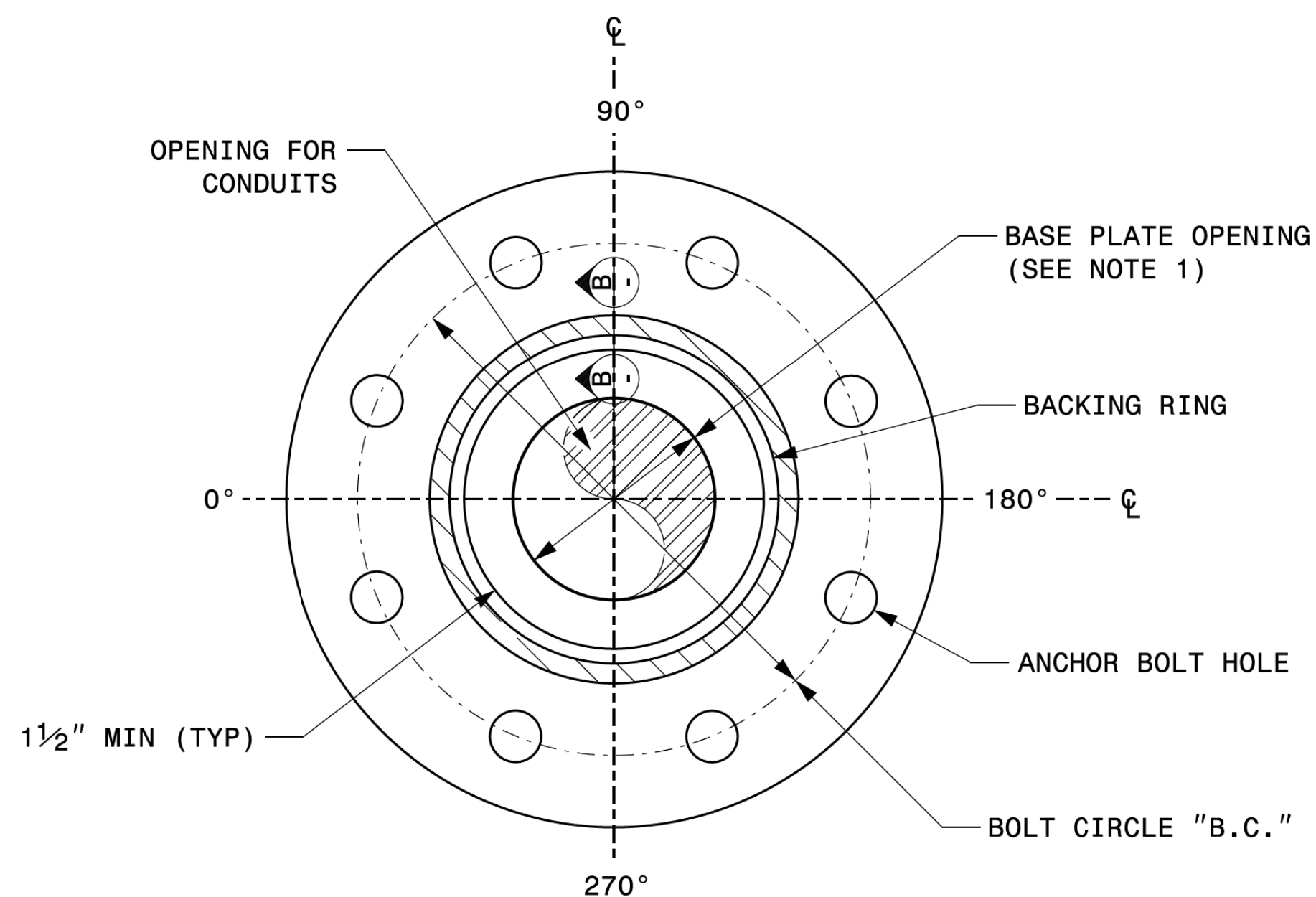
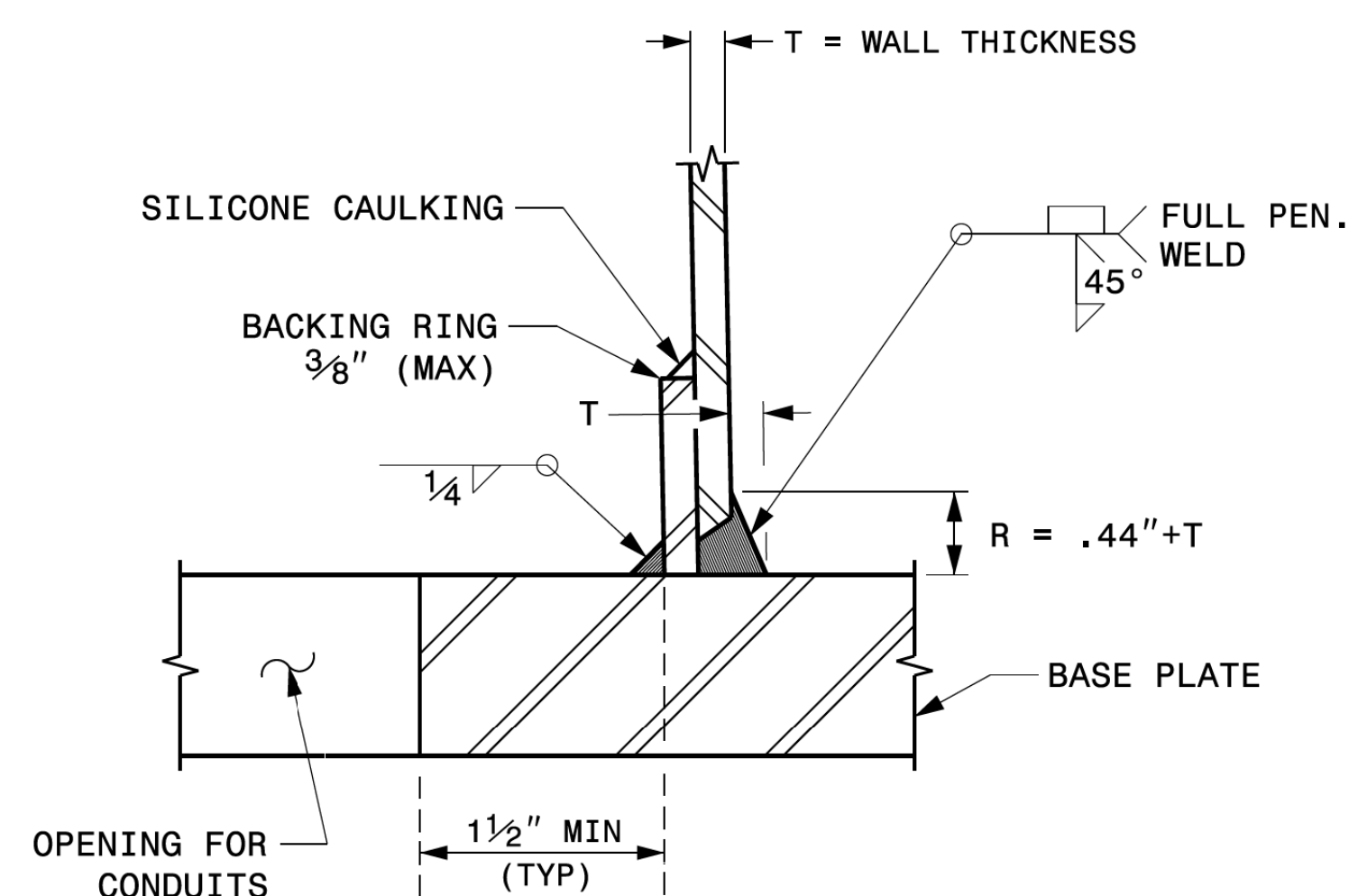


NOTE:

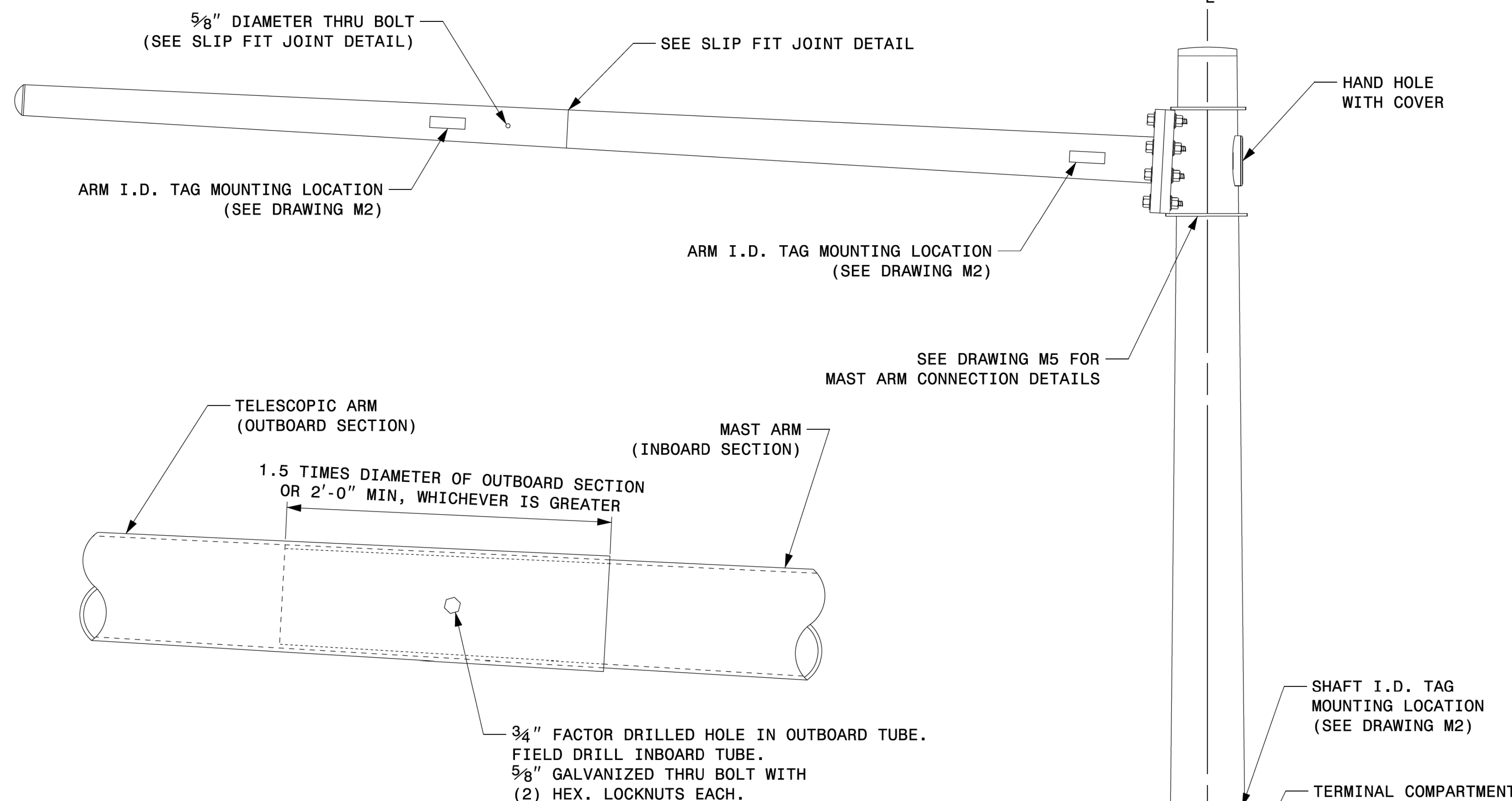
- 1. OPENING IN POLE BASE PLATE SHALL BE EQUAL TO POLE BASE INSIDE DIAMETER MINUS 3 1/2" BUT SHALL NOT BE LESS THAN 8 1/2".



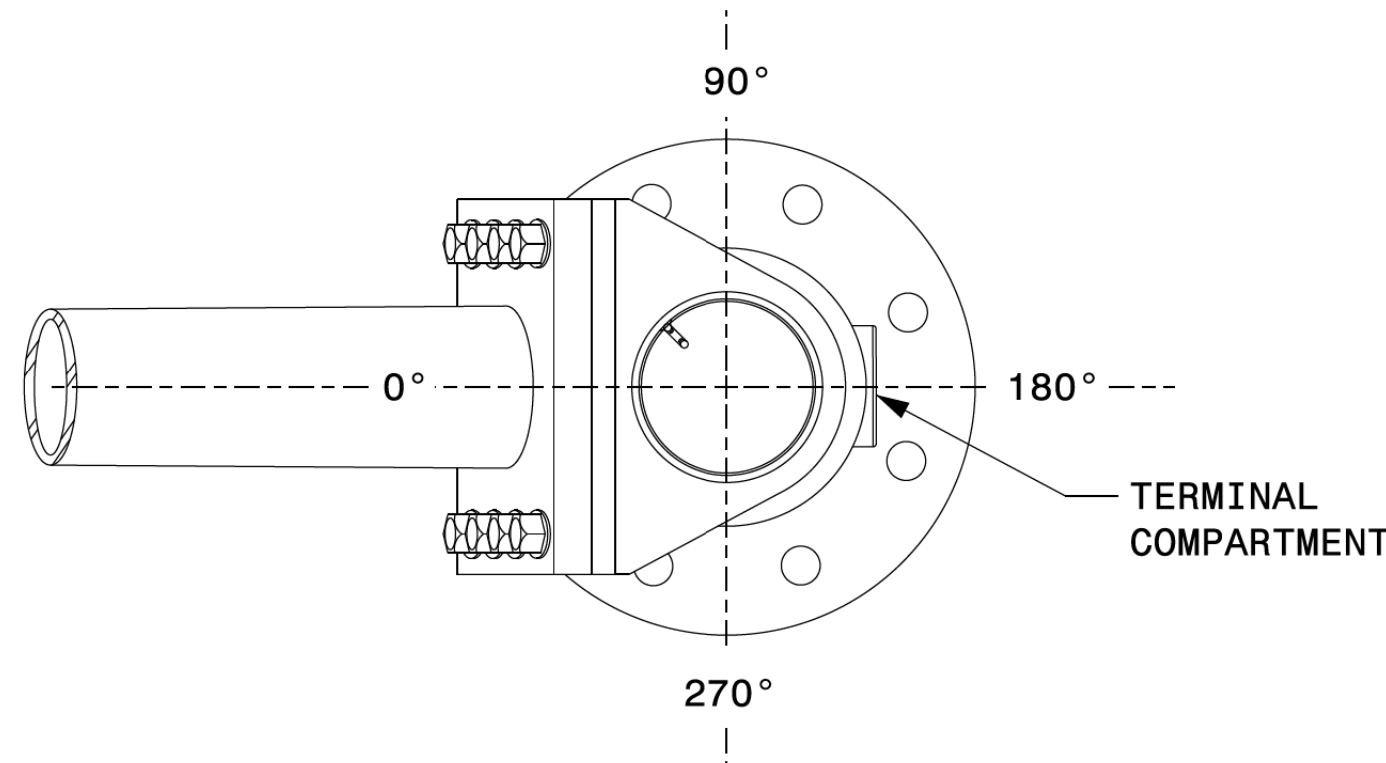
SECTION A-A
POLE BASE PLATE DETAILS



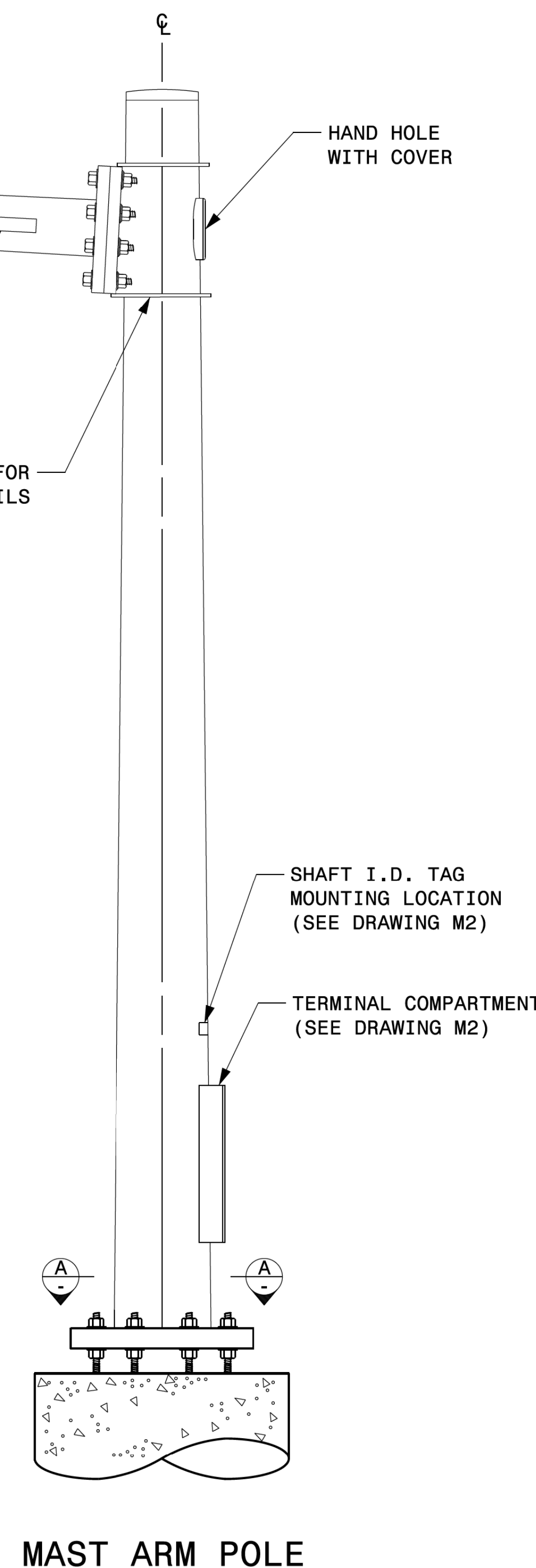
SECTION B-B
(POLE ATTACHMENT TO BASE PLATE)
FULL-PENETRATION
GROOVE WELD DETAIL



SLIP FIT JOINT DETAIL FOR MAST ARM



MAST ARM RADIAL ORIENTATION



MAST ARM POLE

Prepared in the Offices of:

750 N. Greenfield Pkwy, Garner, NC 27529

SCALE: 0 NA NONE

Typical Fabrication Details For Mast Arm Poles

PLAN DATE: SEPTEMBER 2023 DESIGNED BY: K.C. DURIGON
 PREPARED BY: K.C. DURIGON REVIEWED BY: D.C. SARKAR

REVISIONS	INIT.	DATE

SEAL

DocuSigned by:
 Kevin Durigon
 4B23DC79B378ADA

09/21/2023
 DATE

Fabrication Details – Mast Arm Poles