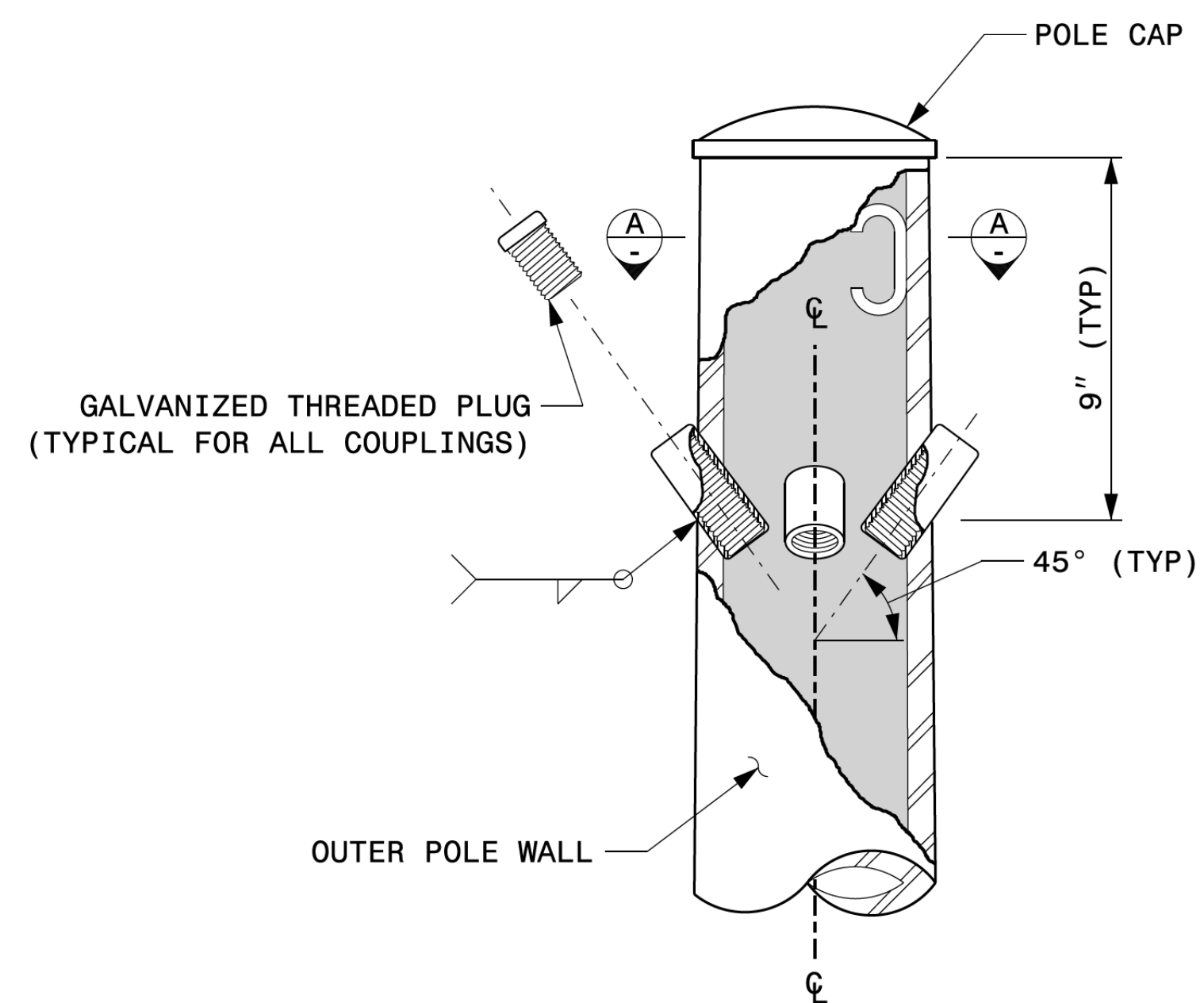
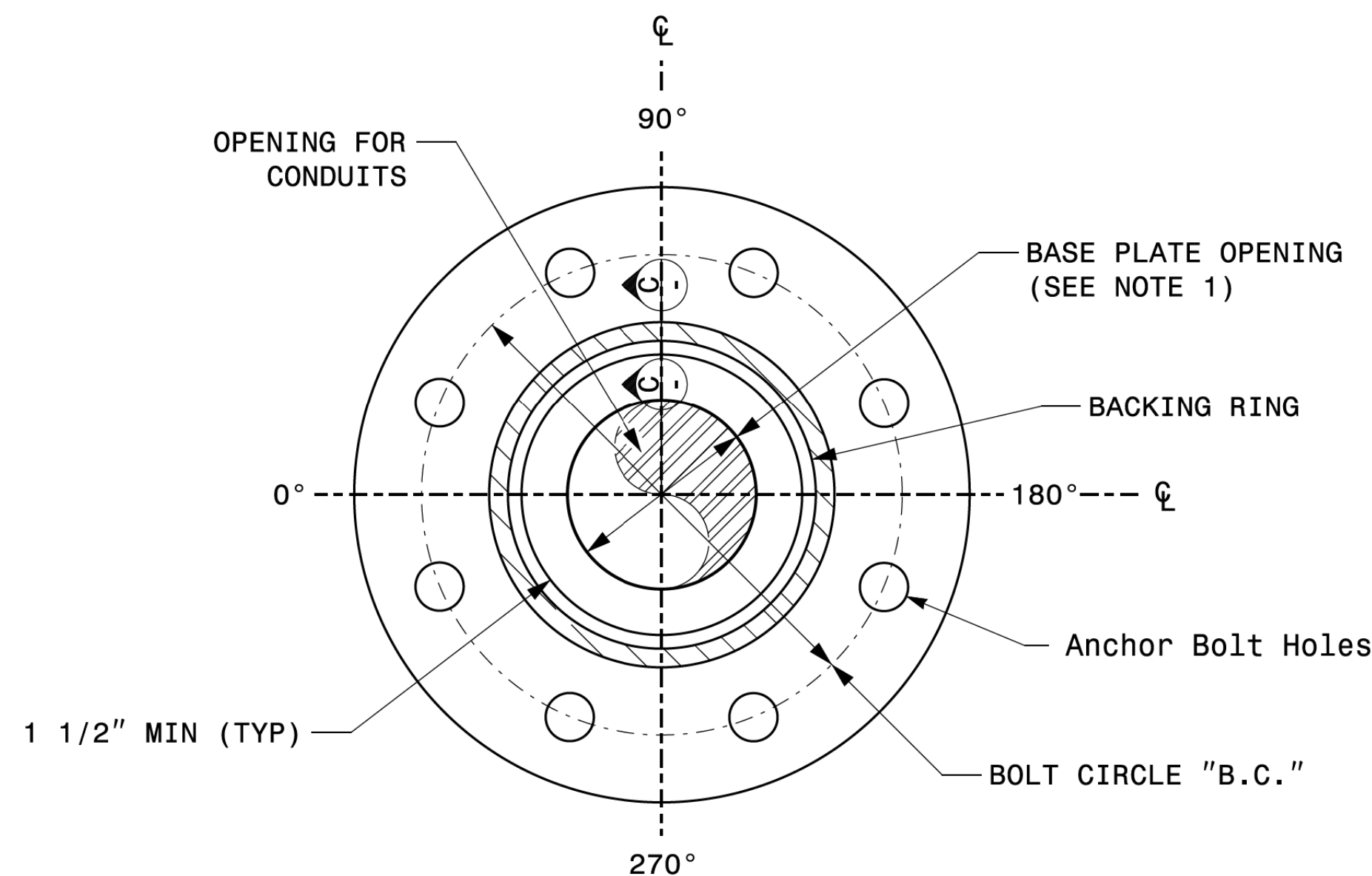


NOTE:

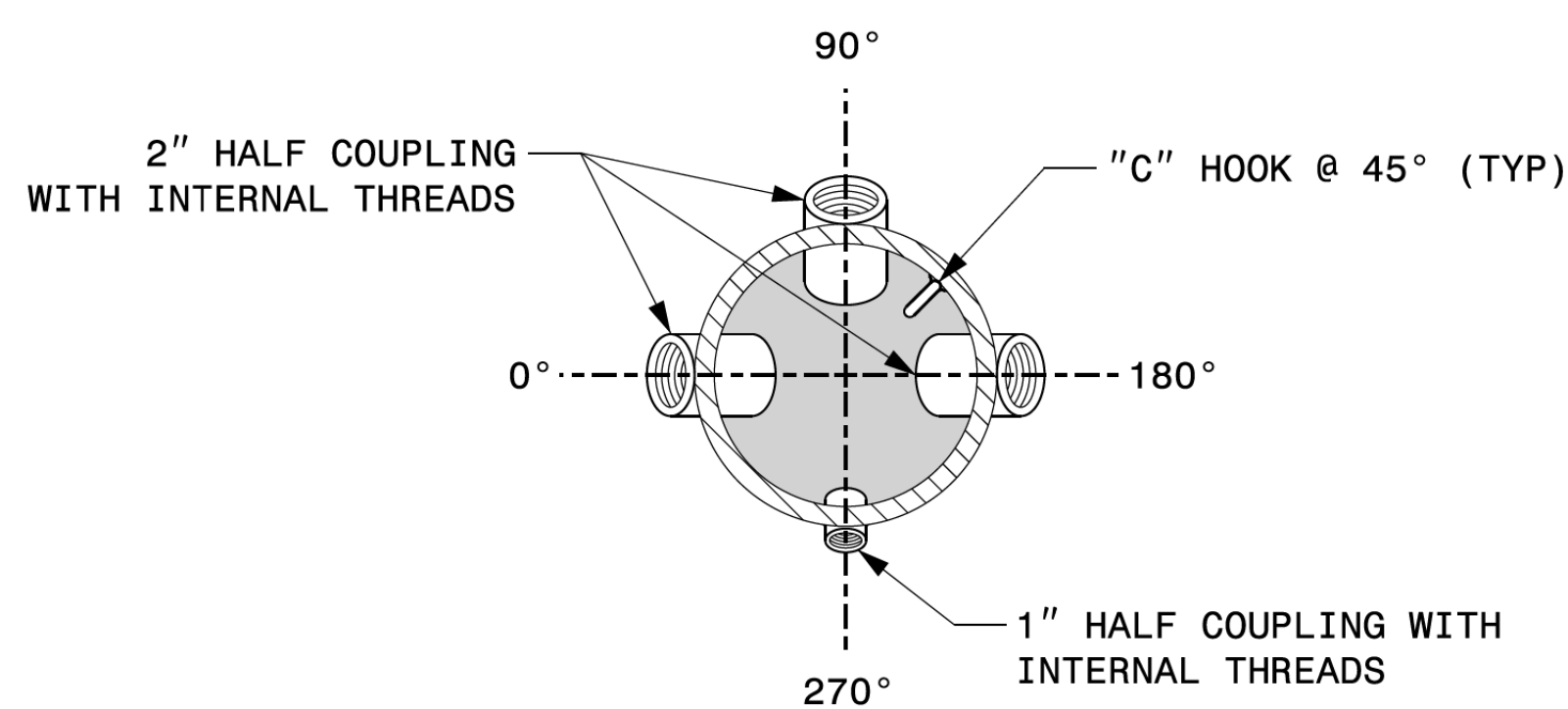
- 1. OPENING IN POLE BASE PLATE SHALL BE EQUAL TO POLE BASE INSIDE DIAMETER MINUS  $3\frac{1}{2}$ " BUT SHALL NOT BE LESS THAN  $8\frac{1}{2}$ ".



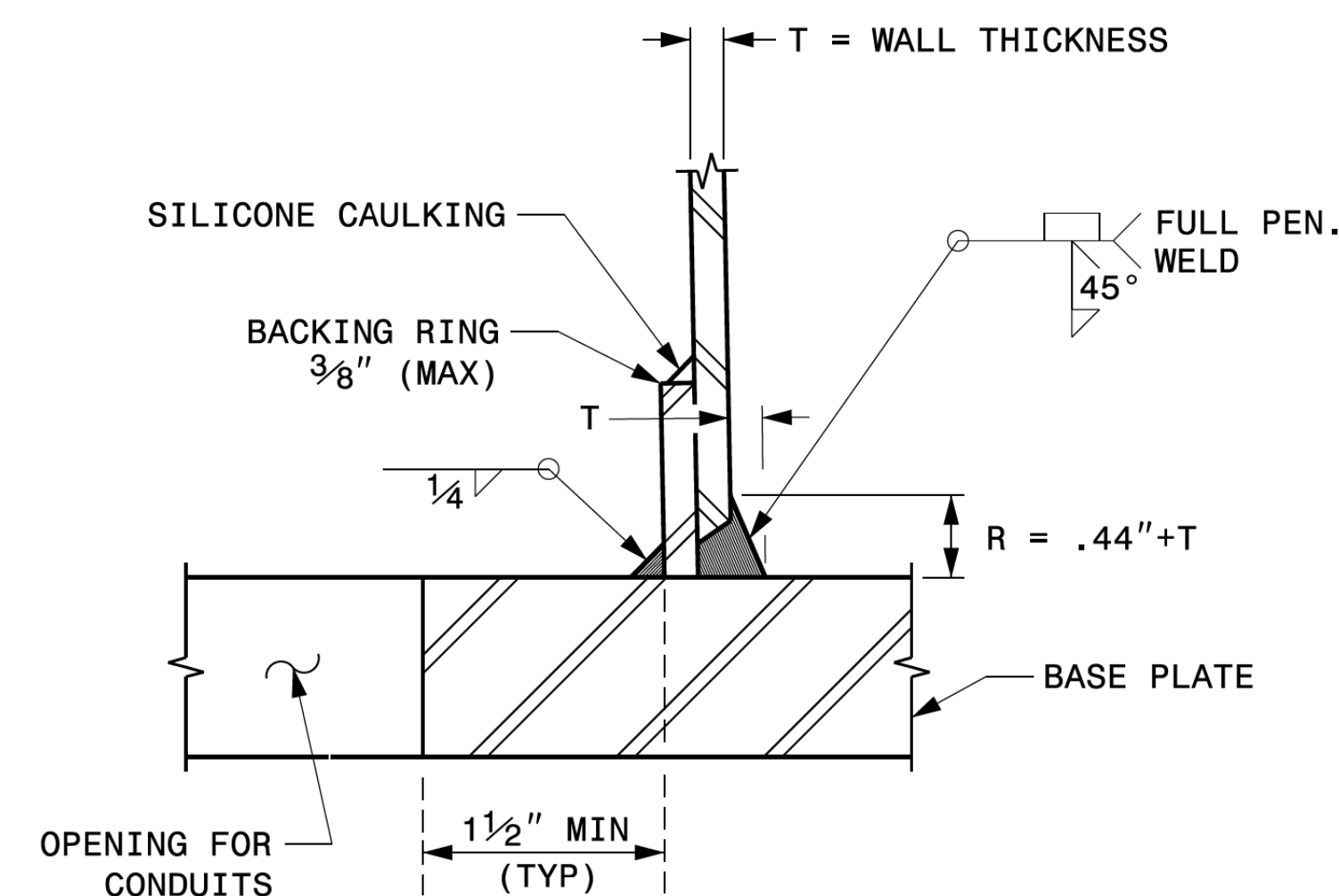
CABLE ENTRANCES AT TOP OF POLE



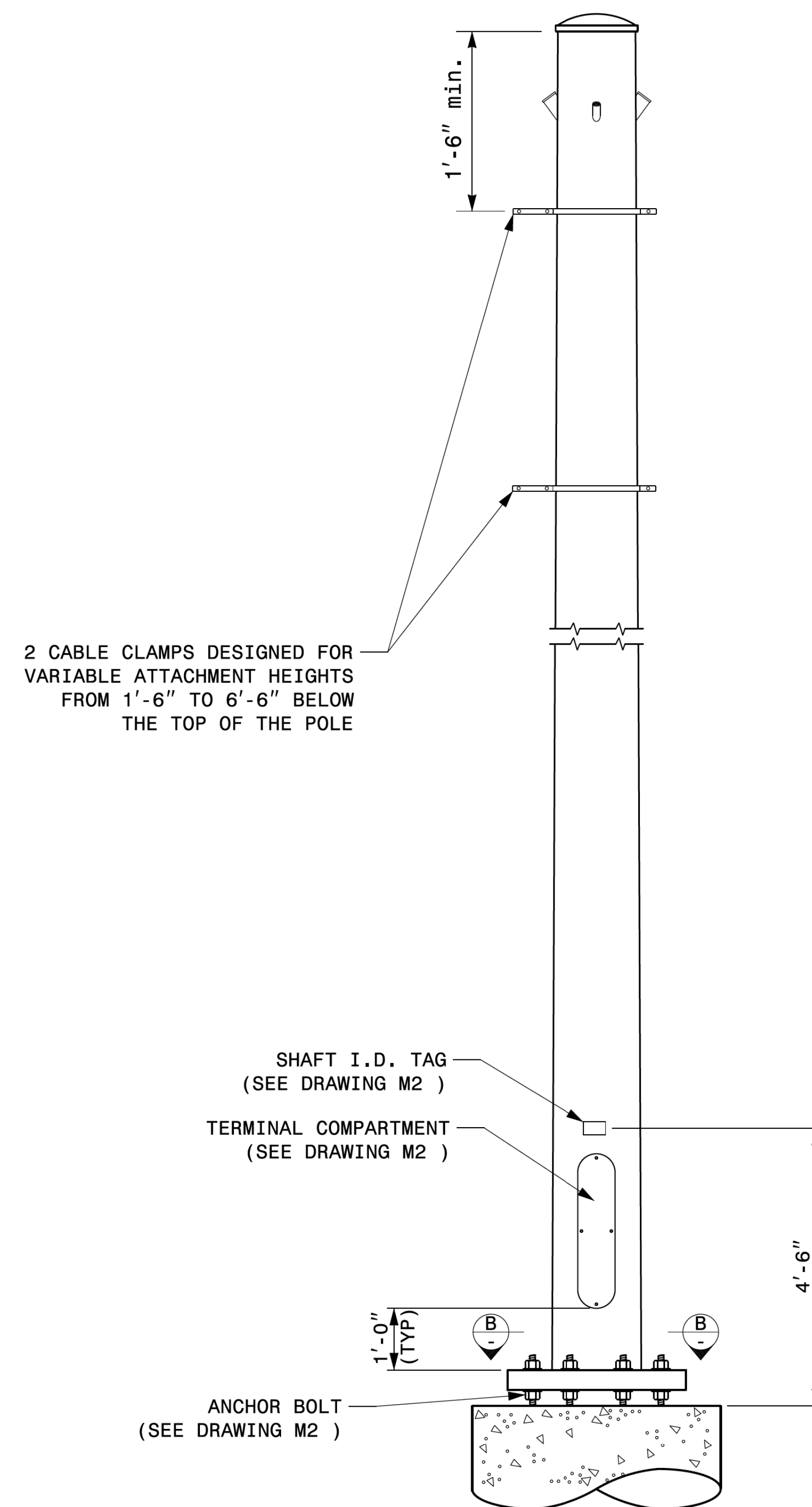
SECTION B-B  
POLE BASE PLATE DETAILS  
(8 AND 12 BOLT PATTERN)



SECTION A-A  
RADIAL ORIENTATION OF FACTORY INSTALLED  
ACCESSORIES AT TOP OF POLE



SECTION C-C  
(POLE ATTACHMENT TO BASE PLATE)  
FULL-PENETRATION  
GROOVE WELD DETAIL



MONOTUBE STRAIN POLE

Prepared in the Offices of:

750 N. Greenfield Pkwy, Garner, NC 27529

Typical Fabrication Details For Strain Poles	
PLAN DATE: SEPTEMBER 2023	DESIGNED BY: K.C. DURIGON
PREPARED BY: K.C. DURIGON	REVIEWED BY: D.C. SARKAR
REVISIONS	INIT. DATE

DocuSigned by:

Kevin Durigon

09/21/2023

DATE