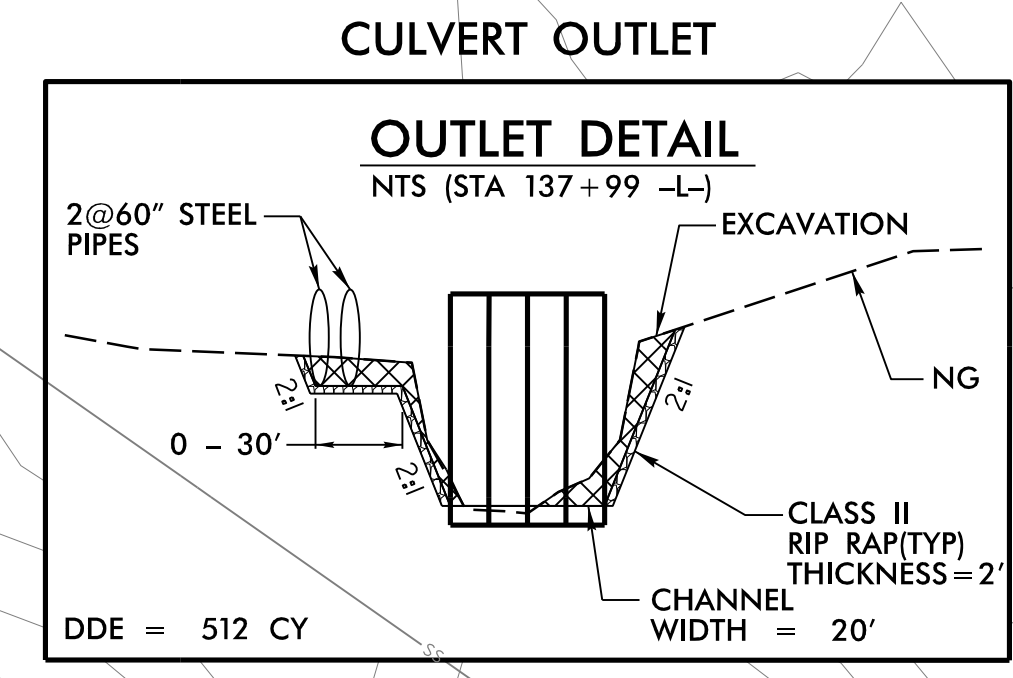
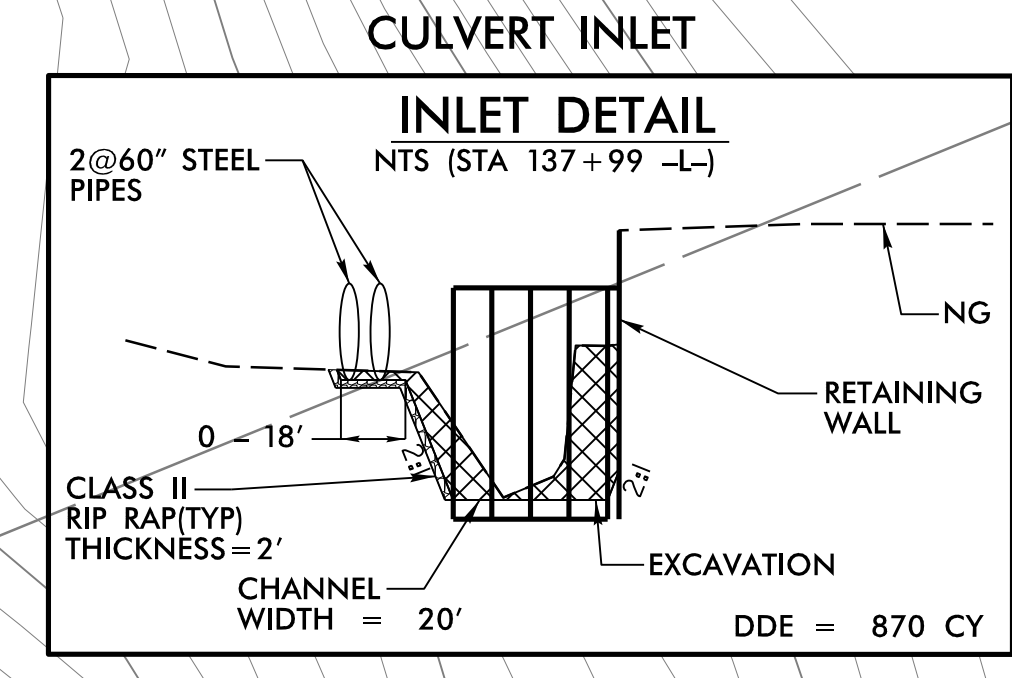


PROJECT REFERENCE NO.	SHEET NO.
U-4405B	EC-6/CONST.13
RW SHEET NO.	
ROADWAY DESIGN ENGINEER	HYDRAULICS ENGINEER

-L-
 PIs Sta 139+95.56 PI Sta 144+71.01
 $\Delta s = 1' 43' 07.9"$ $\Delta = 19' 18' 58.8" (RT)$
 $Ls = 150.00'$ $D = 2' 17' 30.6"$
 $LT = 100.00'$ $L = 842.83'$
 $ST = 50.00'$ $T = 425.45'$
 $SE = 0.03$

CLEARING AND GRUBBING
 EROSION CONTROL FOR
 CONSTRUCTION SHEET 13

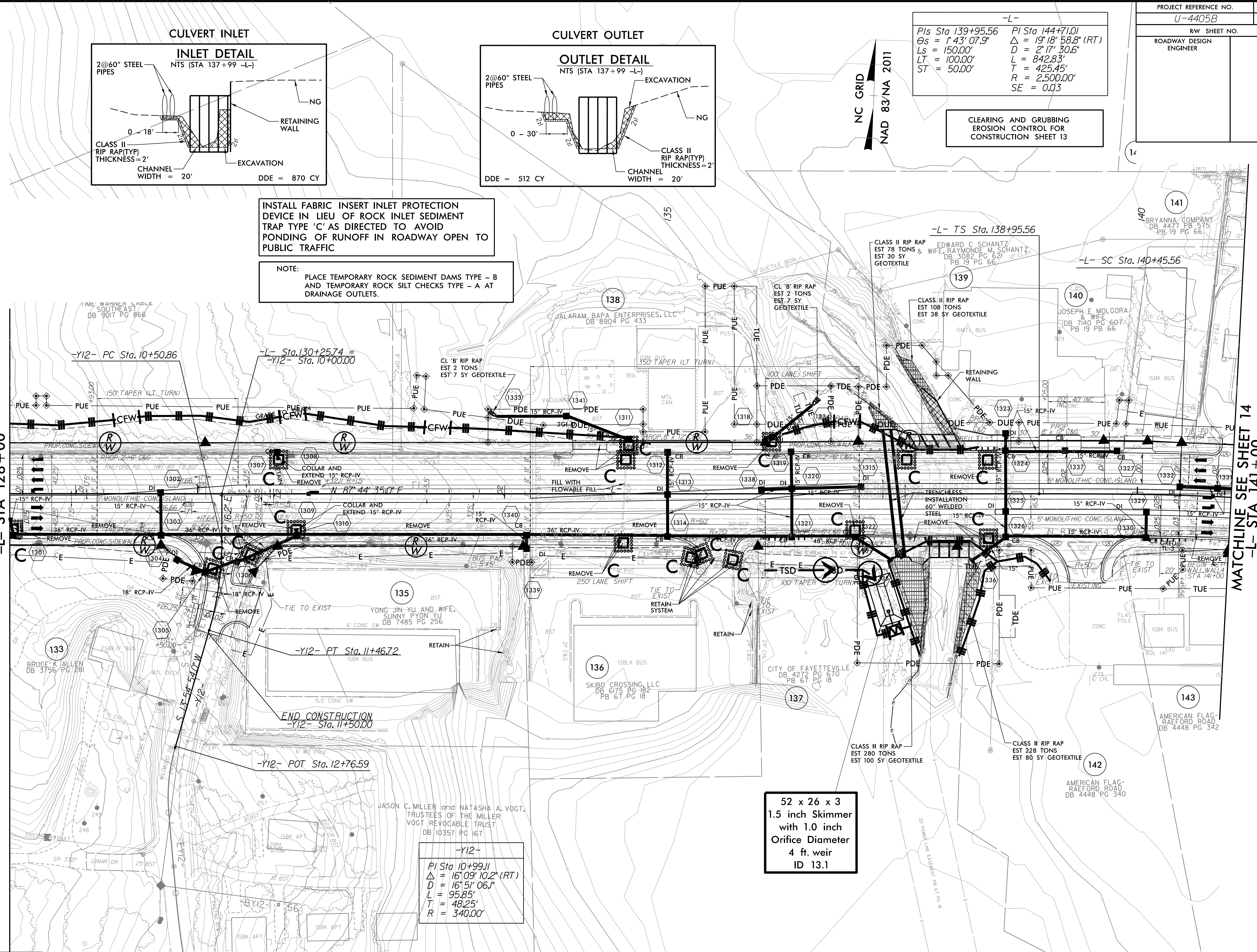


INSTALL FABRIC INSERT INLET PROTECTION
 DEVICE IN LIEU OF ROCK INLET SEDIMENT
 TRAP TYPE 'C' AS DIRECTED TO AVOID
 PONDING OF RUNOFF IN ROADWAY OPEN TO
 PUBLIC TRAFFIC

NOTE:
 PLACE TEMPORARY ROCK SEDIMENT DAMS TYPE - B
 AND TEMPORARY ROCK SILT CHECKS TYPE - A AT
 DRAINAGE OUTLETS.

MATCHLINE SEE SHEET 12
 -L- STA 128+00

MATCHLINE SEE SHEET 14
 -L- STA 141+00



52 x 26 x 3
 1.5 inch Skimmer
 with 1.0 inch
 Orifice Diameter
 4 ft. weir
 ID 13.1

-Y12-
 PI Sta 10+99.11
 $\Delta = 16' 09' 10.2" (RT)$
 $D = 16' 51' 06.1"$
 $L = 95.85'$
 $T = 48.25'$
 $R = 340.00'$

NOTE: SEE SHEET 37 FOR -L- PROFILE
 SEE SHEET 47 FOR -Y12- PROFILE

** A DESIGN EXCEPTION FOR LANE WIDTH IS
 REQUIRED FOR -L- STA. 38+95.00 TO -L- 319+95.00

8/17/99
 10/8/2024
 U:\4405\REV\EC_psh_13.CG.dgn
 13