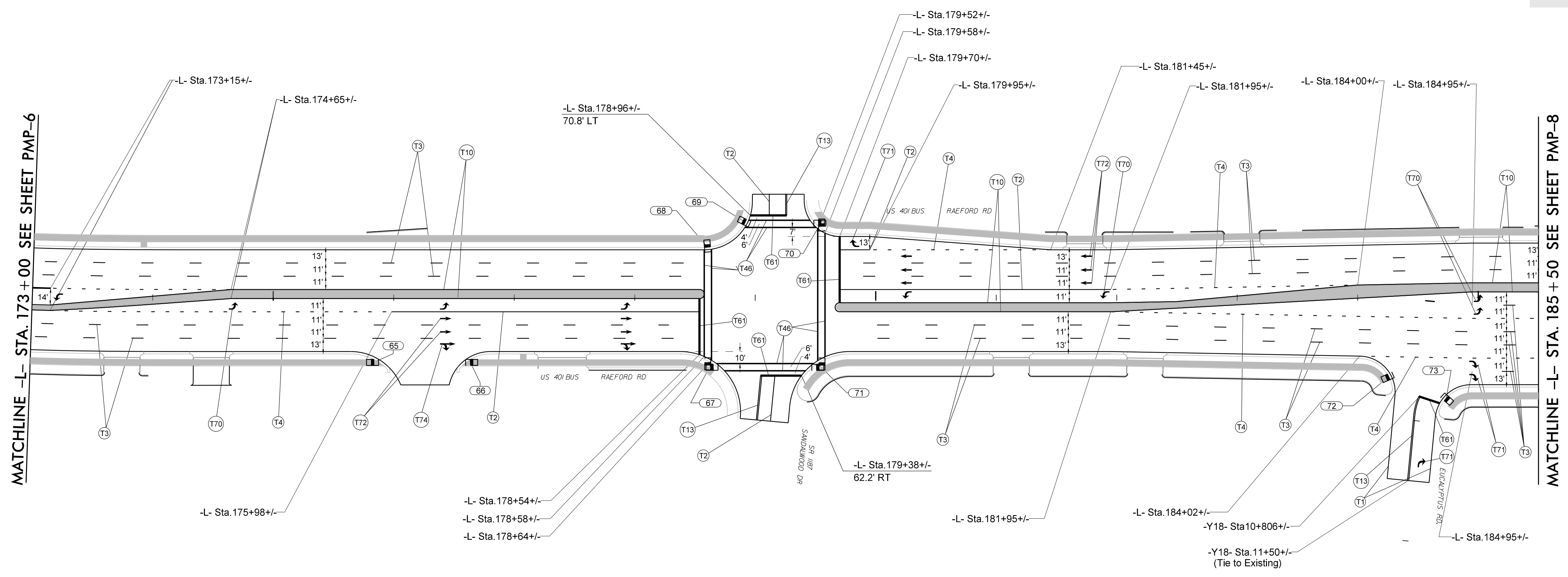


TIP NO.	SHEET NO.
U - 4405B	PMP - 7
APPROVED: <i>Regina M. Muncy</i> <small>DocuSigned by: Regina M. Muncy CFE518622454FA</small>	
DATE: 10/15/2024	
SEAL	
DOCUMENT NOT CONSIDERED FINAL UNLESS ALL SIGNATURES COMPLETED	



10/15/2024
 J:\Traffic\SIGNING & PM - U-4405B\PAVEMENT MARKING\Plan Sheets\U-4405B_pmp_7.dgn
 jhambright

PAVEMENT MARKING DETAIL