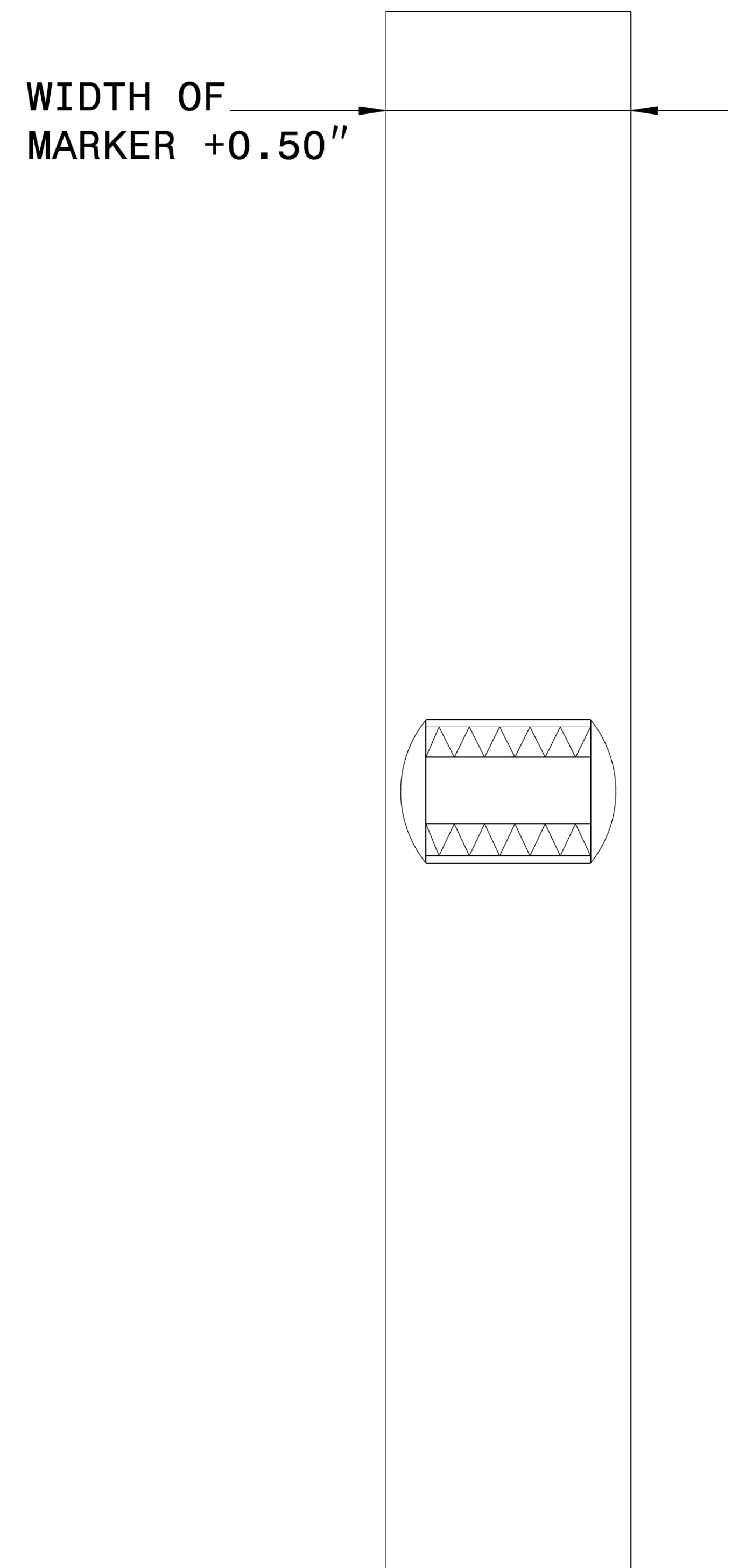
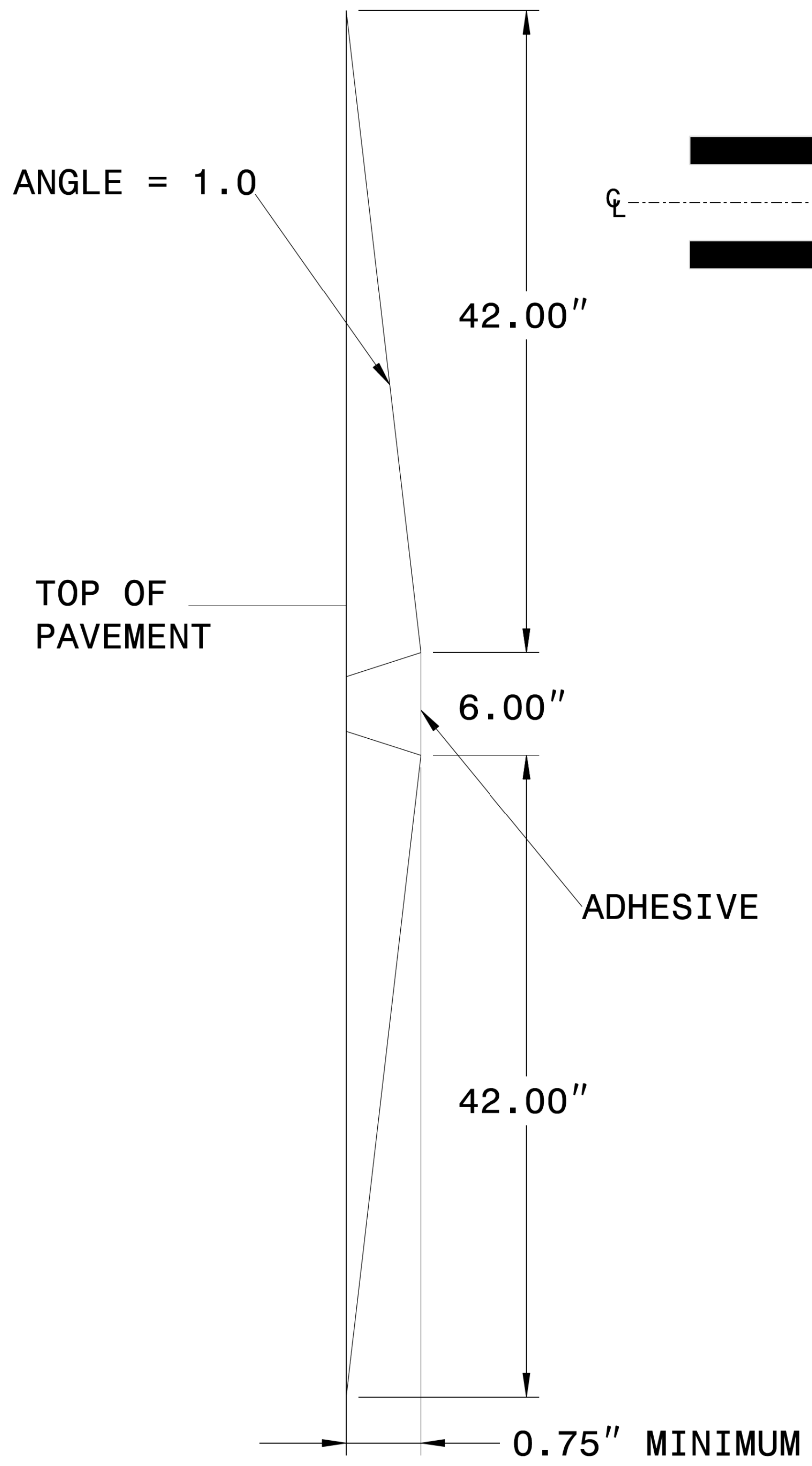


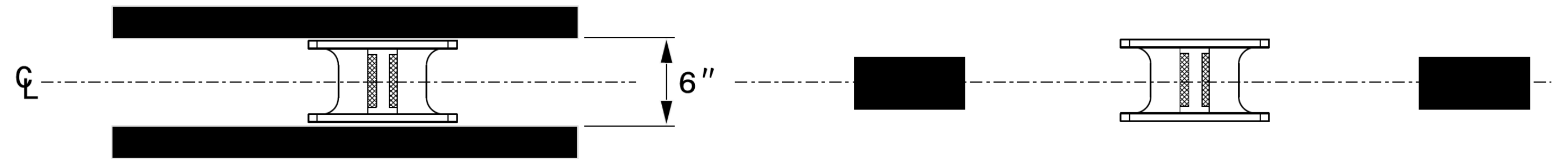
### PLAN VIEW



### SECTION VIEW



### MARKER SPACING



#### NOTES:

1. THE PAVEMENT SHALL BE SAW CUT TO THE DIMENSIONS SHOWN.
2. THE SAW CUT AREA MUST BE DRY AND FREE OF DUST. DIRT OR ANY MATERIAL WHICH WILL ADVERSELY AFFECT THE BOND OF THE ADHESIVE.
3. INSTALL MARKERS WITH APPROVED ADHESIVE. ADHESIVE SHOULD NOT BE ALLOWED TO BUILD UP IN FRONT OF MARKER LENS.
4. THE MARKER AND THE ADHESIVE PAD SHALL NOT EXCEED THE TOP OF THE PAVEMENT SURFACE. DEPTH = 0.75" MINIMUM.
5. RECESSED MARKERS INSTALLED ON CONCRETE PAVEMENT SHOULD BE INSTALLED A MINIMUM OF 2" FROM THE PAVEMENT JOINT OR EDGE

**CONTRACTS STANDARDS AND DEVELOPMENT UNIT**  
Office 919-707-8950 FAX 919-250-4119

**DETAIL OF INLAID RAISED PAVEMENT MARKER**

ORIGINAL BY: rgwatson	DATE: 02-06-2024
MODIFIED BY:	DATE:
CHECKED BY:	DATE:
FILE SPEC.:	