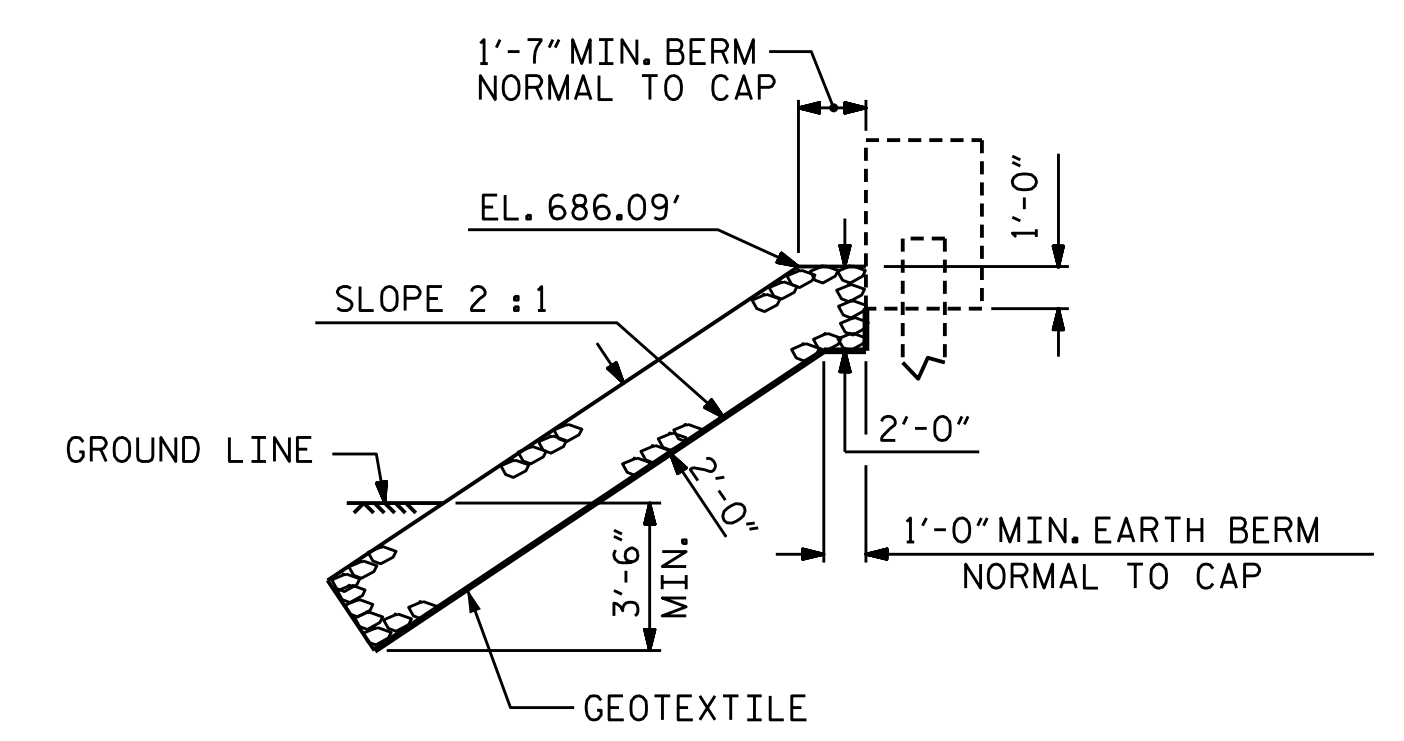
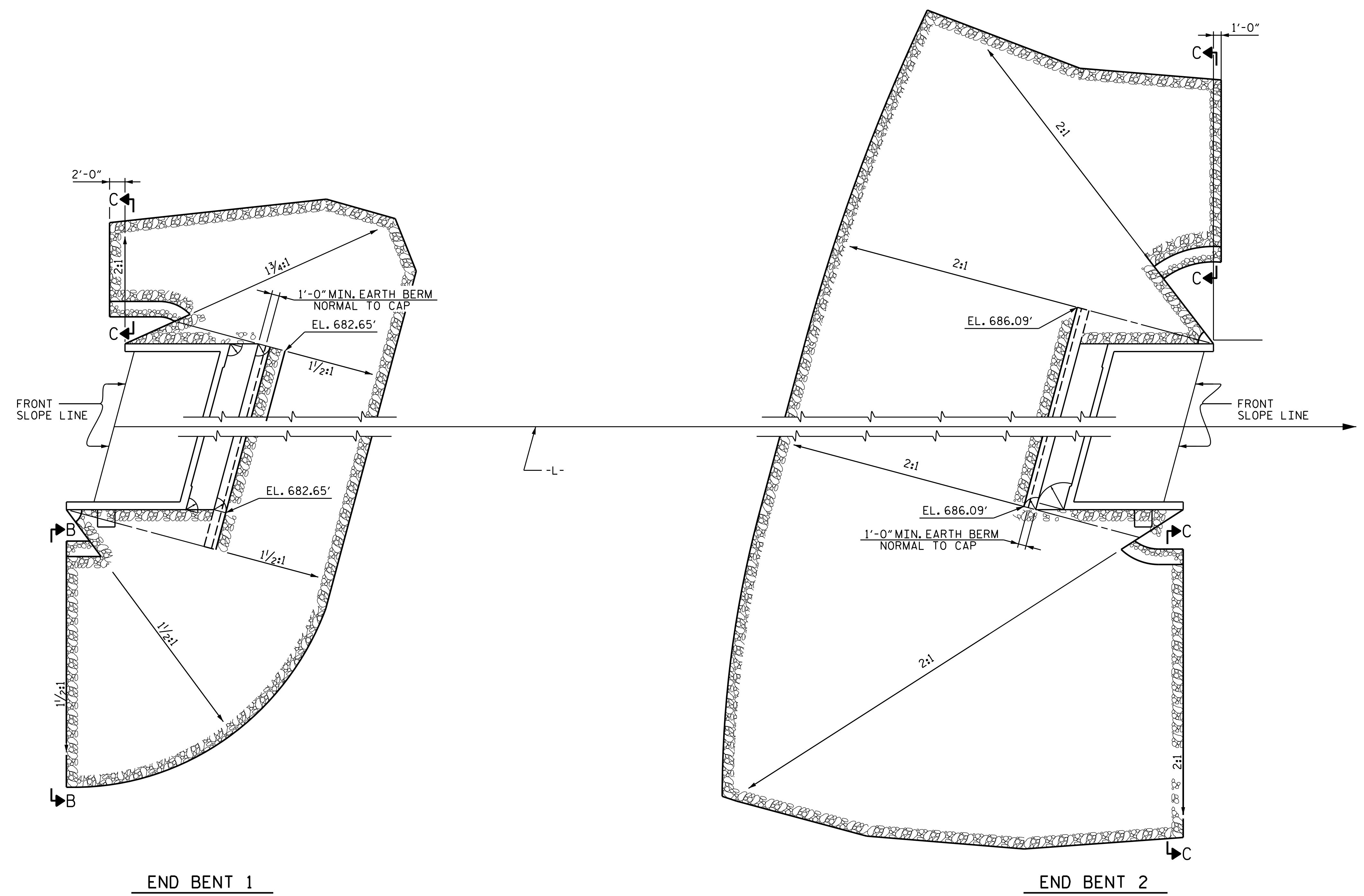


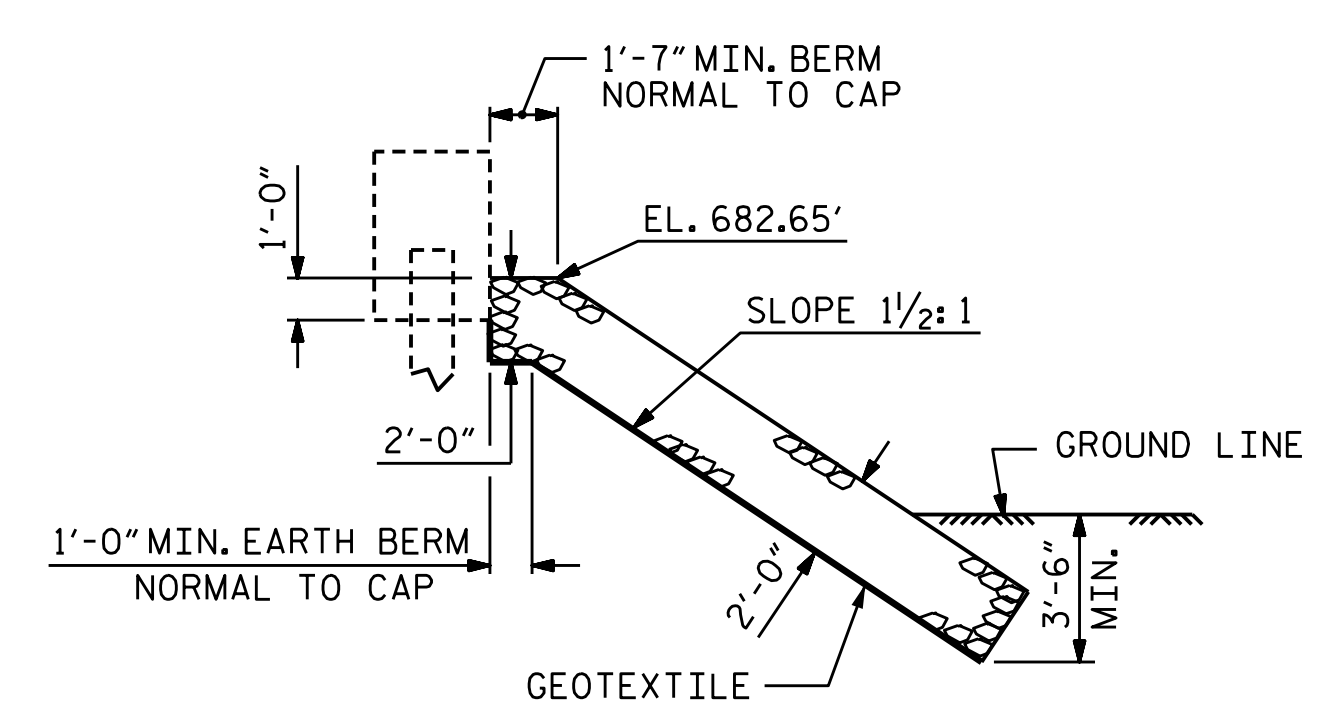
NOTES :
FOR BERM WIDTH DIMENSIONS, SEE GENERAL DRAWING.



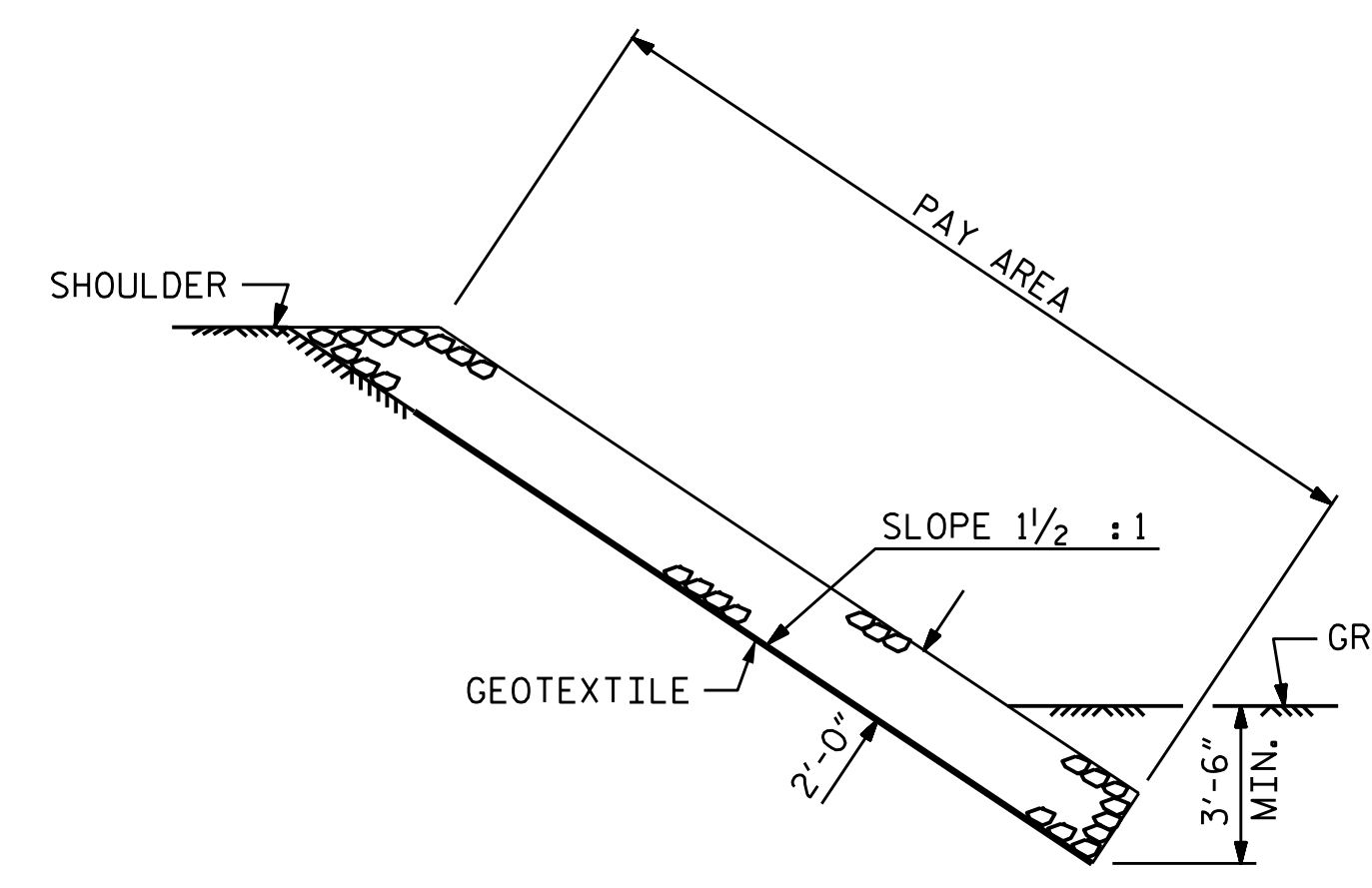
SECTION @ EB 2
BERM RIP RAPPED

ESTIMATED QUANTITIES		
BRIDGE @ STA. 22+56.00-L-	RIP RAP CLASS II (2'-0" THICK)	GEOTEXTILE FOR DRAINAGE
	TONS	SQUARE YARDS
END BENT 1	410	455
END BENT 2	1,510	1,680

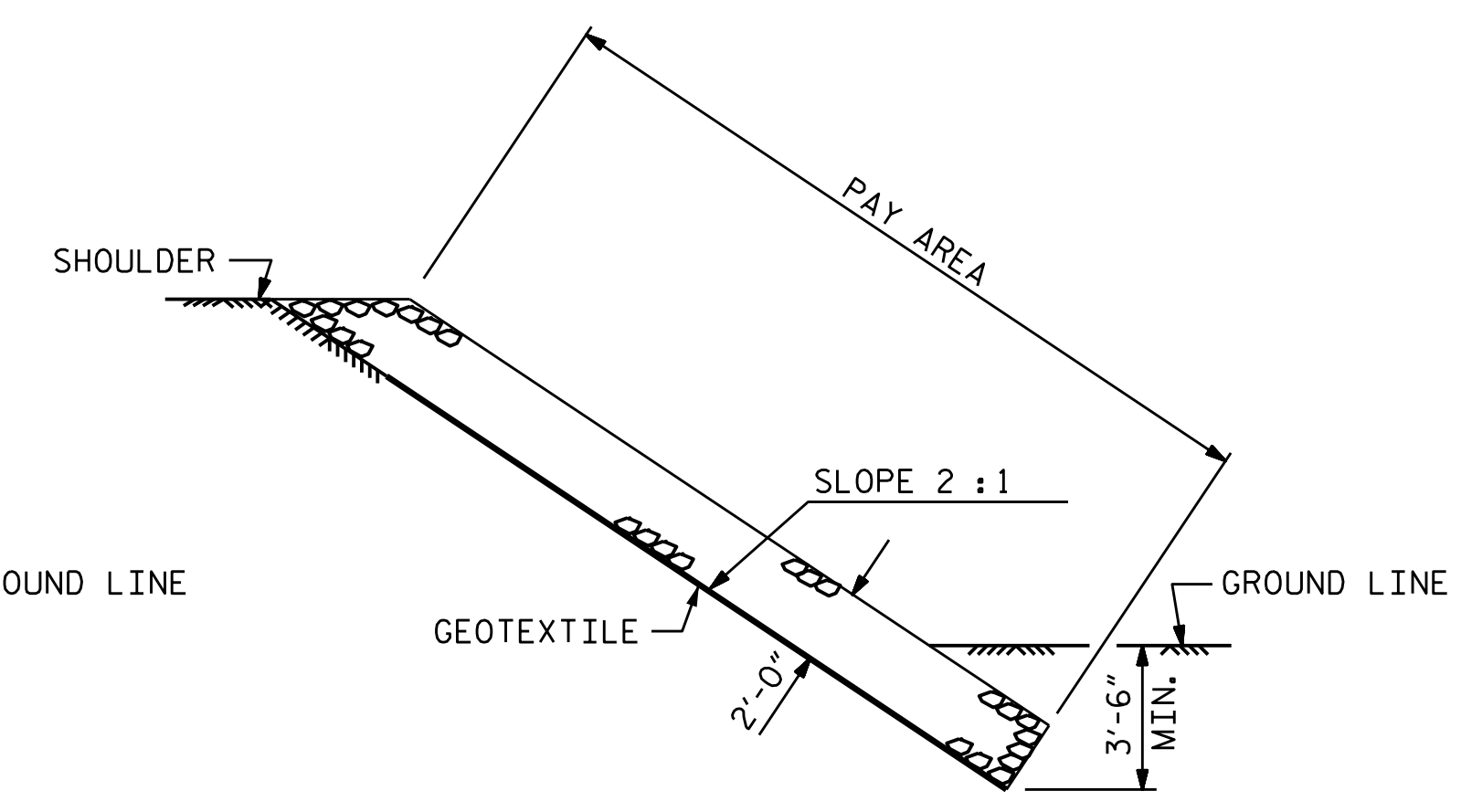
PLAN



SECTION @ EB 1
BERM RIP RAPPED



SECTION B-B



SECTION C-C

PROJECT NO. B-5845
CLEVELAND COUNTY
STATION: 22+56.00-L-

Professional Engineer Seal for Marshall G. Cheek, Jr., State of North Carolina, License No. 20125, dated 6/27/2024.

DOCUMENT NOT CONSIDERED FINAL UNLESS ALL SIGNATURES COMPLETED

TGS ENGINEERS
201 W. MARION ST STE 200
SHELBY, NC 28150
PH (704) 476-0003
CORP. LICENSE NO.: C-0275

STATE OF NORTH CAROLINA DEPARTMENT OF TRANSPORTATION RALEIGH					
RIP RAP DETAILS					
REVISIONS					
NO.	BY	DATE	NO.	BY	DATE
1			3		
2			4		

SHEET NO.	S-38
TOTAL SHEETS	40

DRAWN BY : JLA DATE : 4/22
CHECKED BY : MGC DATE : 5/22