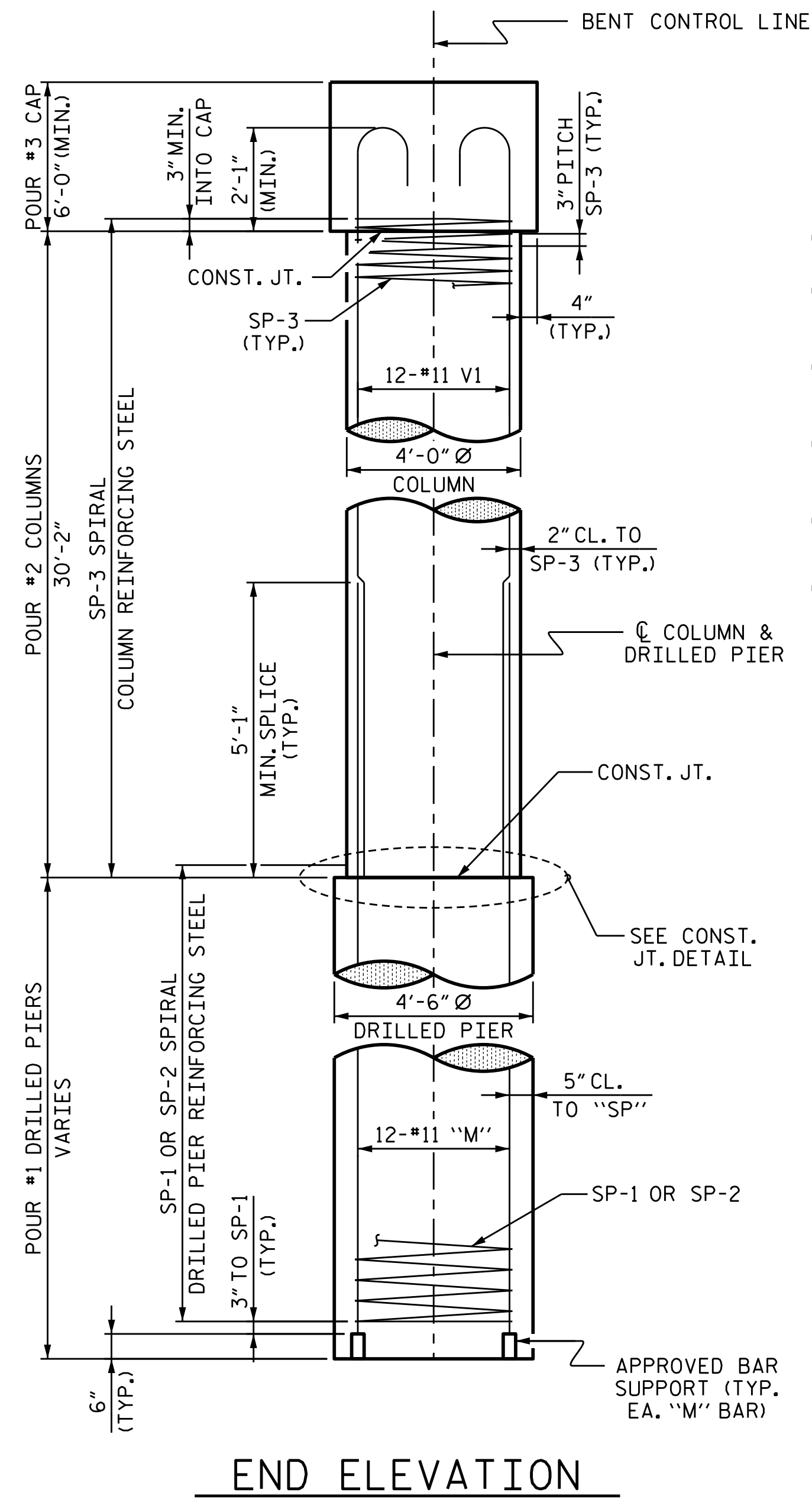
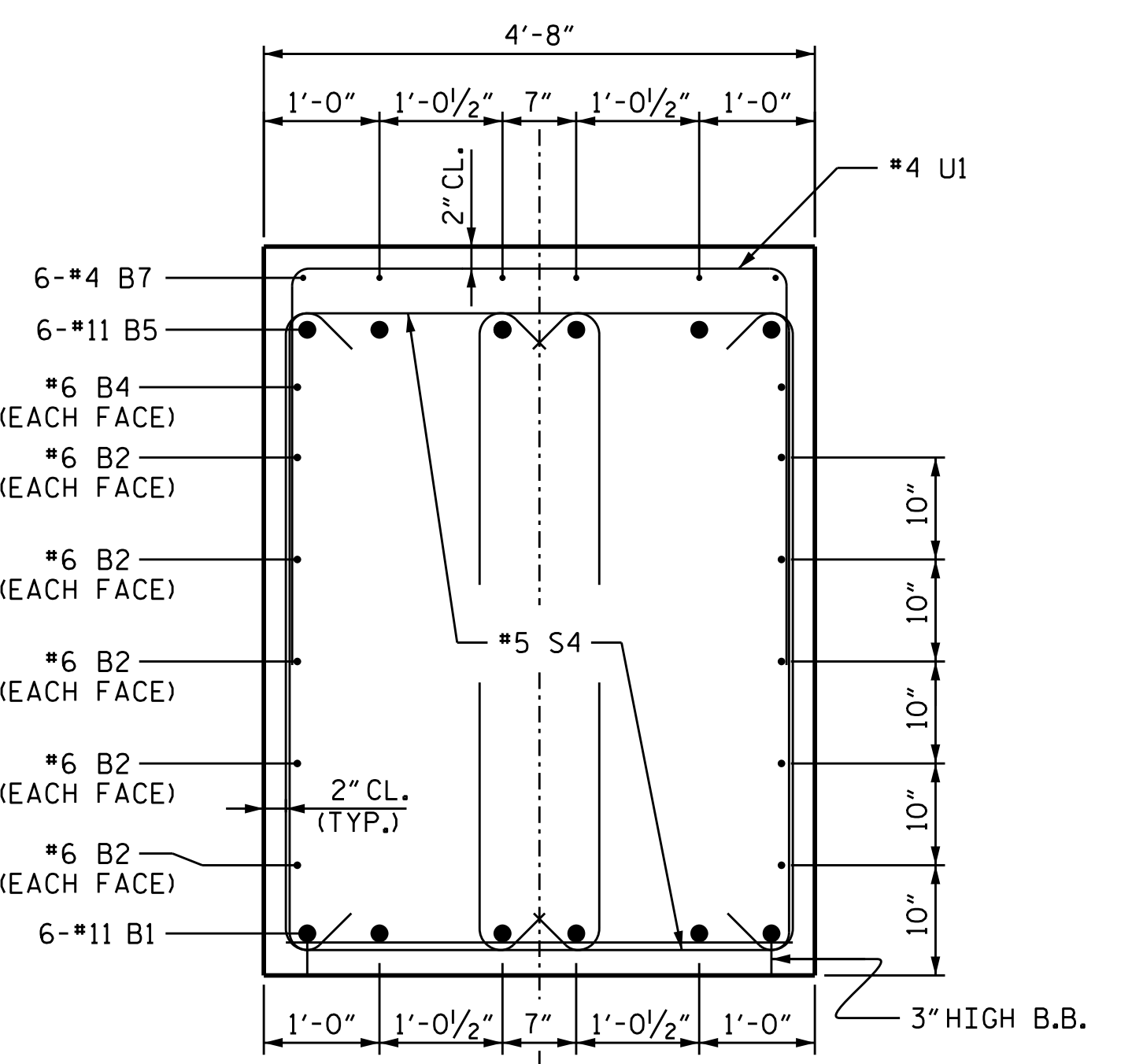


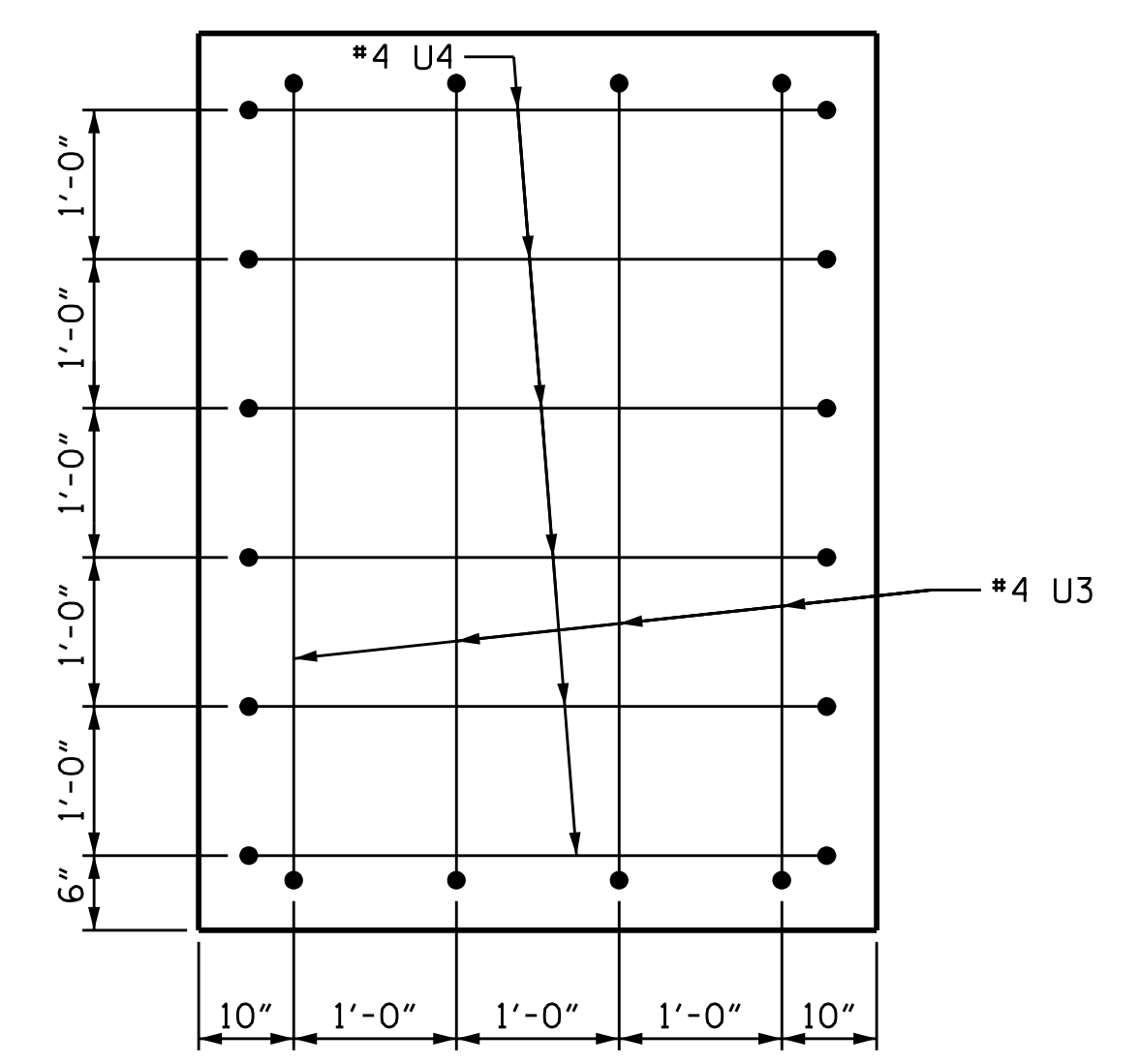
PLAN OF DRILLED PIERS & COLUMNS



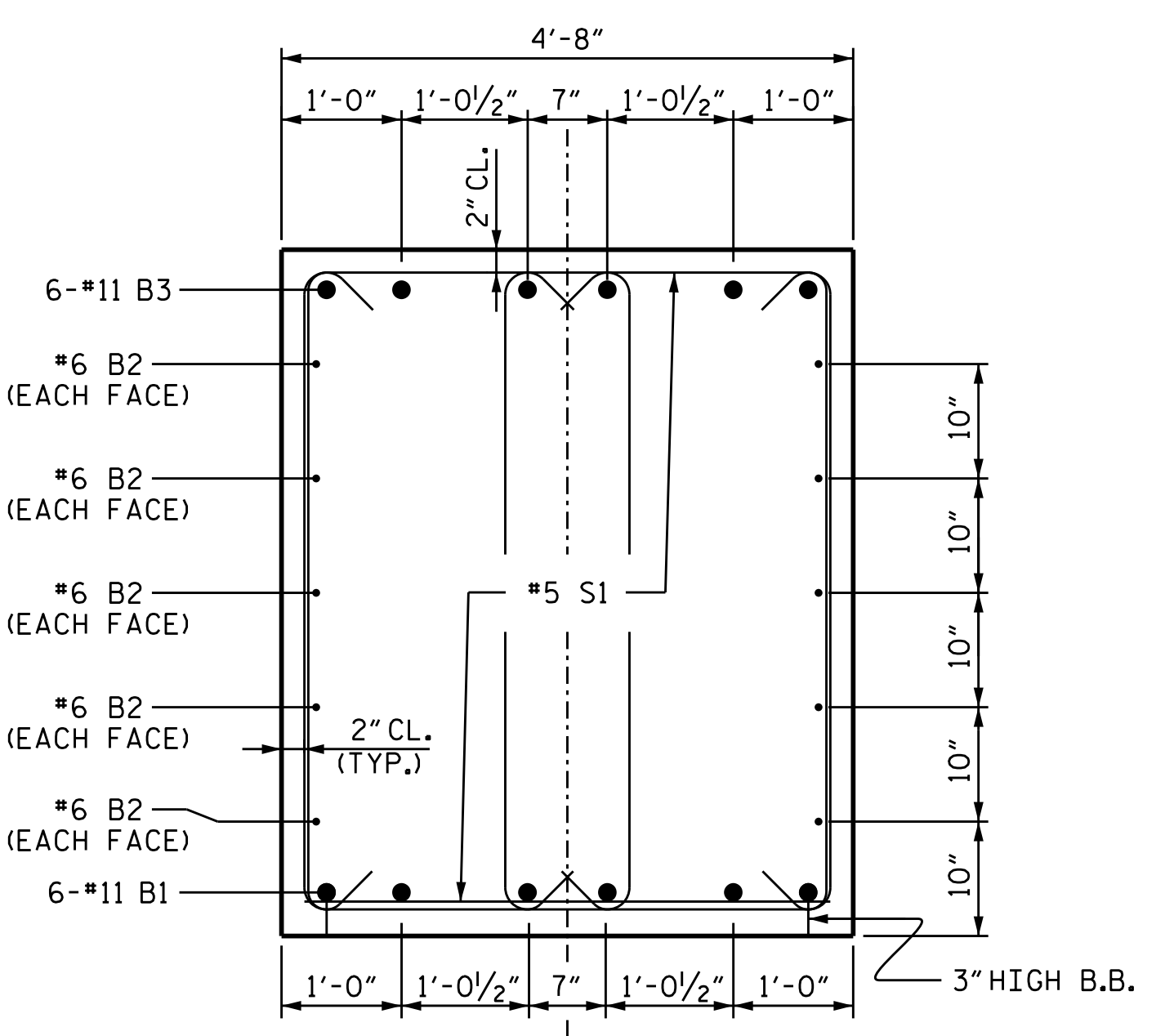
END ELEVATION



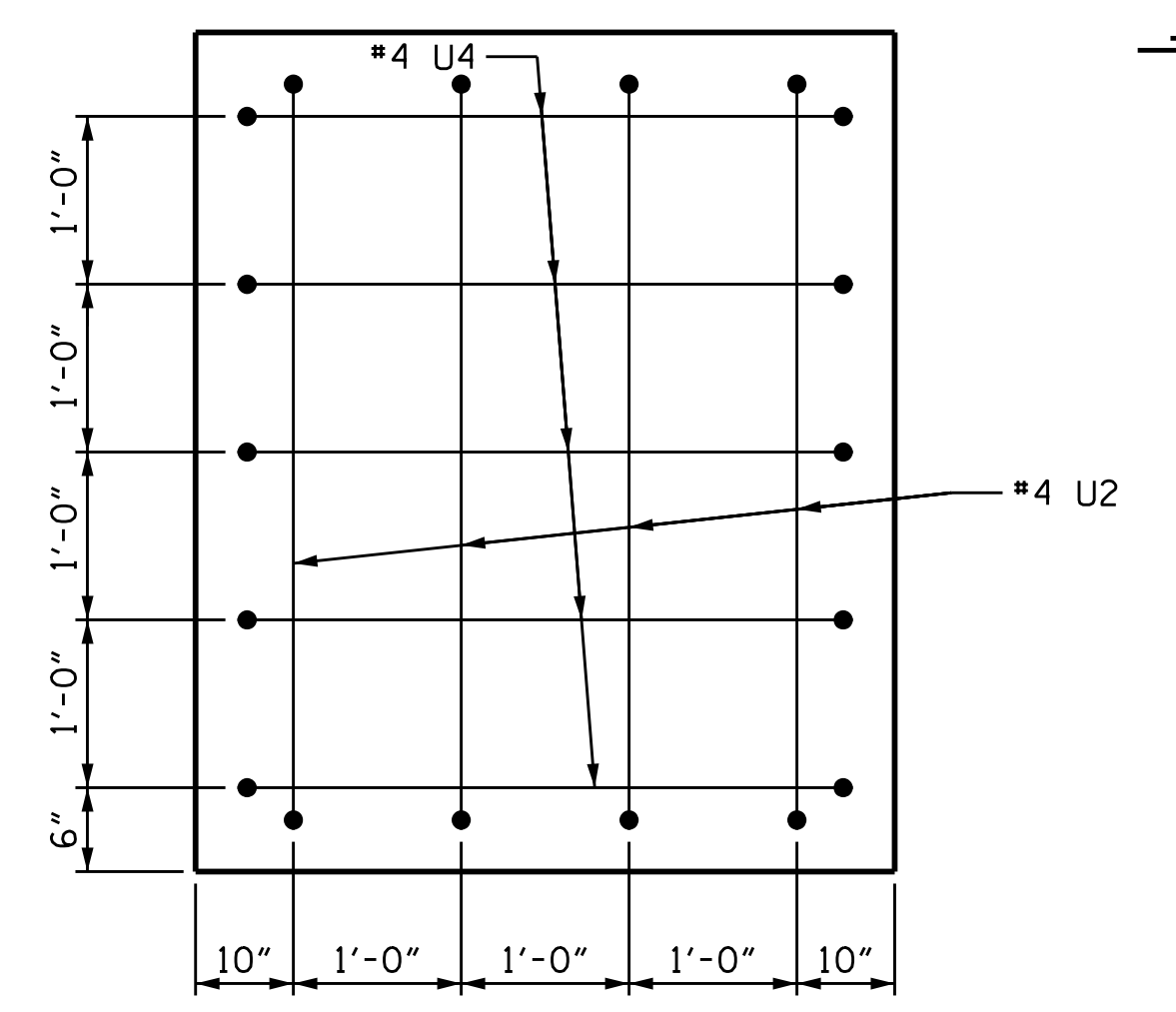
SECTION B-B



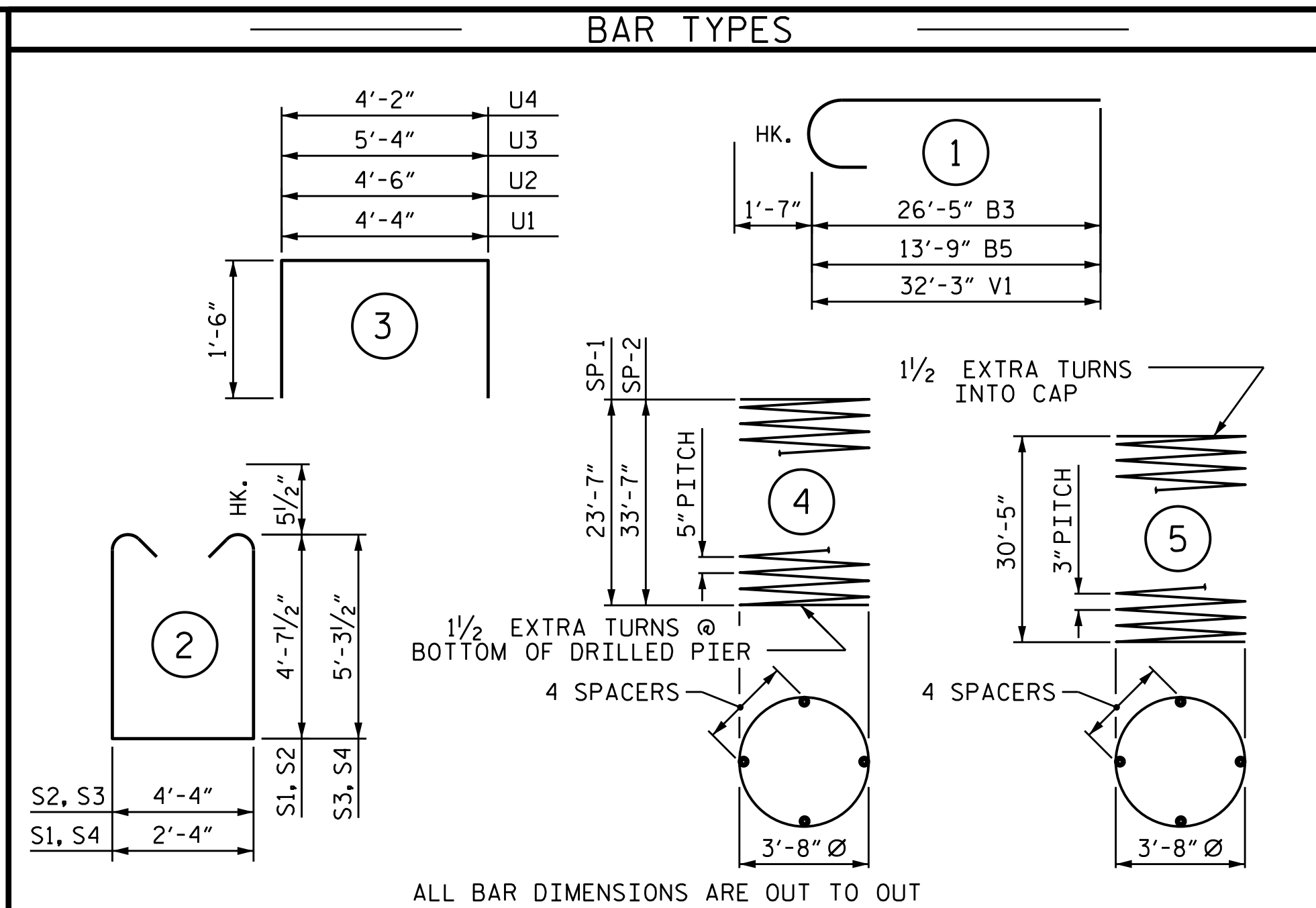
RIGHT END OF CAP VIEW



SECTION A-A



LEFT END OF CAP VIEW



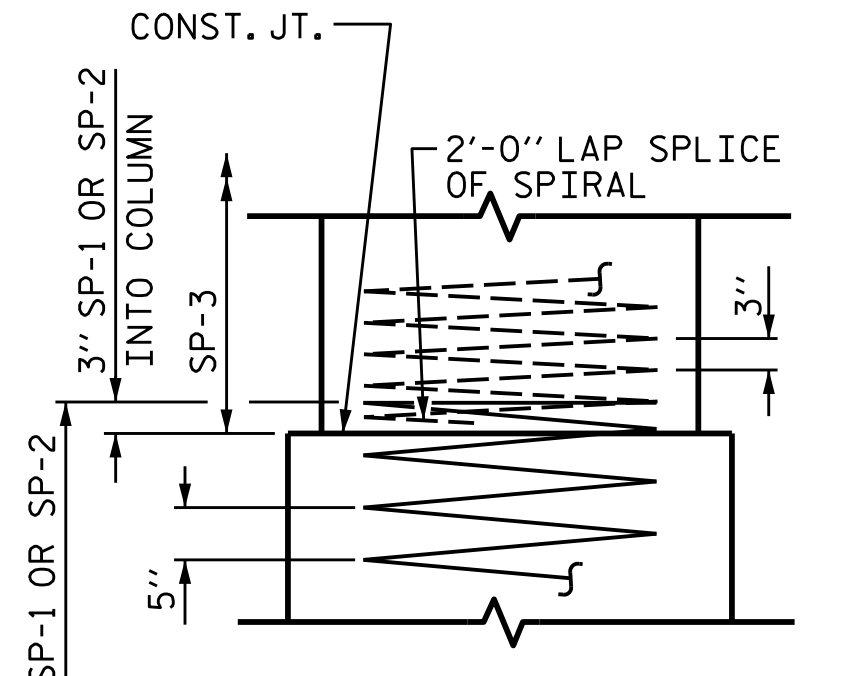
ALL BAR DIMENSIONS ARE OUT TO OUT

BILL OF MATERIAL FOR BENT 1					
BAR	NO.	SIZE	TYPE	LENGTH	WEIGHT
B1	6	#11	STR	33'-8"	1073
B2	10	#6	STR	33'-8"	506
B3	6	#11	1	28'-0"	893
B4	2	#6	STR	10'-3"	31
B5	6	#11	1	15'-4"	489
B6	6	#4	STR	9'-6"	38
B7	6	#4	STR	4'-1"	16
B8	3	#4	STR	4'-4"	9
M1	12	#11	STR	31'-8"	2019
M2	24	#11	STR	41'-8"	5313
S1	12	#5	2	12'-6"	156
S2	12	#5	2	14'-6"	181
S3	10	#5	2	15'-10"	165
S4	12	#5	2	13'-10"	173
U1	33	#4	3	7'-4"	162
U2	4	#4	3	7'-6"	20
U3	4	#4	3	8'-4"	22
U4	11	#4	3	7'-2"	53
V1	36	#11	1	33'-10"	6471
REINFORCING STEEL					17,790 LBS.
SP-1	1	*	4	670'-6"	699
SP-2	2	*	4	943'-2"	1,967
SP-3	3	**	5	1412'-6"	2,831
SPIRAL COLUMN REINFORCING STEEL					5,497 LBS.

BAR	NO.	SIZE	TYPE	LENGTH	WEIGHT
SP-1	1	*	4	670'-6"	699
SP-2	2	*	4	943'-2"	1,967
SP-3	3	**	5	1412'-6"	2,831

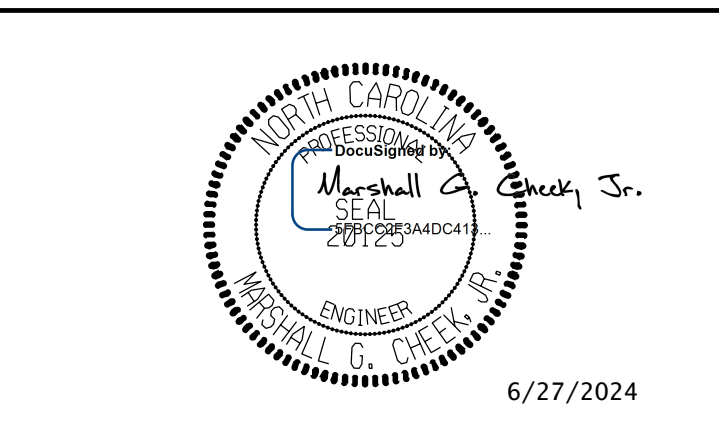
CLASS A CONCRETE BREAKDOWN
 POUR #2 (COLUMNS) 42.1 C.Y.
 POUR #3 (CAP) 32.0 C.Y.
TOTAL CLASS A CONCRETE 74.1 C.Y.

DRILLED PIERS:
 DRILLED PIER CONCRETE
 POUR #1 (DRILLED PIERS) 54.3 C.Y.



CONSTRUCTION JOINT DETAIL

PROJECT NO. B-5845
 CLEVELAND COUNTY
 STATION: 22+56.00 -L-
 SHEET 2 OF 2



STATE OF NORTH CAROLINA
 DEPARTMENT OF TRANSPORTATION
 RALEIGH
 SUBSTRUCTURE
BENT 1

DRAWN BY: ZCS DATE: 12/22
 CHECKED BY: MGC DATE: 12/22
 DESIGN ENGINEER OF RECORD: ZCS DATE: 12/22

DOCUMENT NOT CONSIDERED FINAL
 UNLESS ALL SIGNATURES COMPLETED

TGS ENGINEERS
 201 W. MARION ST STE 200
 SHELBY, NC 28150
 PH: (704) 476-0003
 CORP. LICENSE NO.: C-0275

REVISIONS						SHEET NO.
NO.	BY:	DATE:	NO.	BY:	DATE:	S-33
1			3			TOTAL SHEETS 40
2			4			