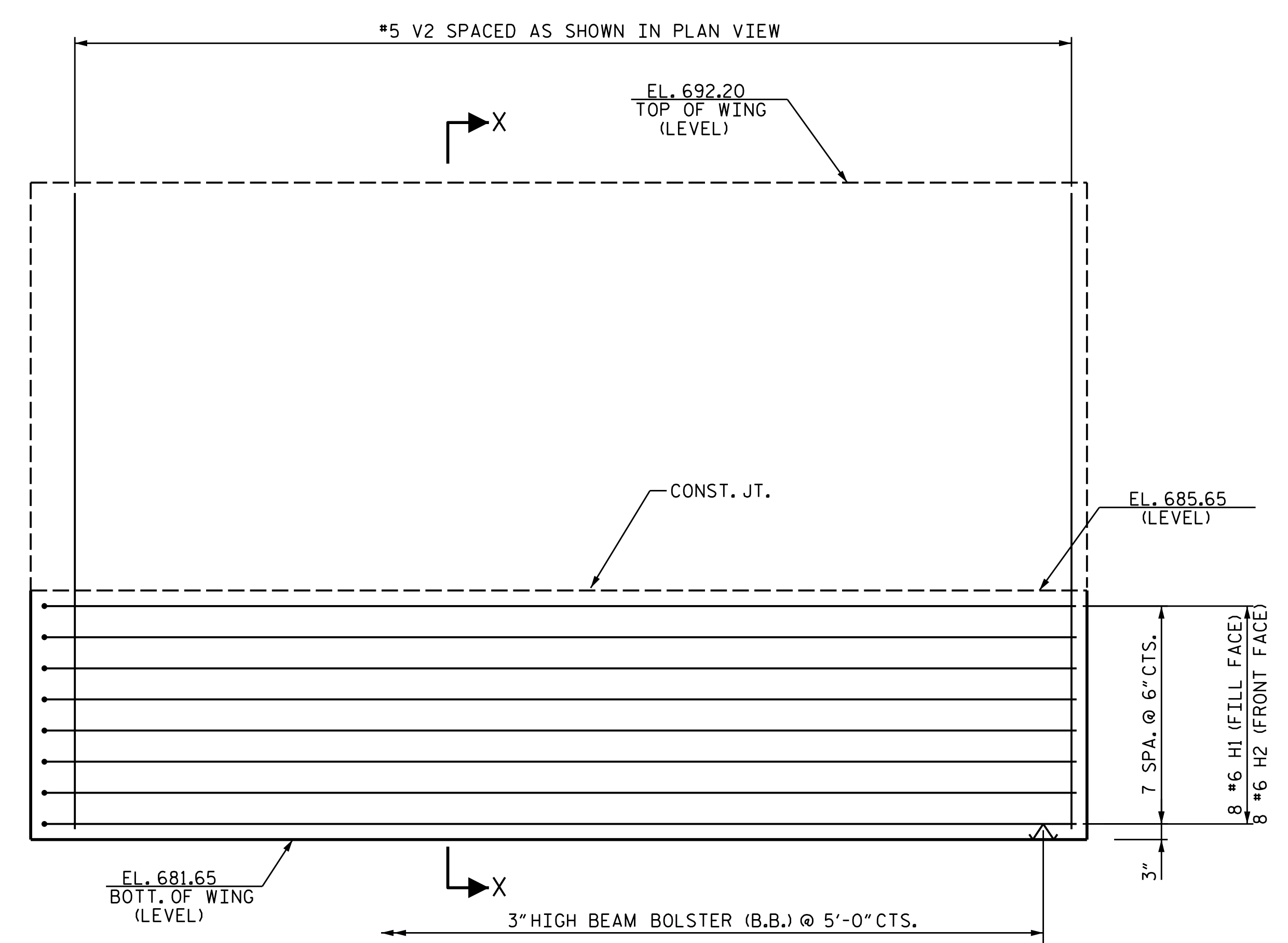
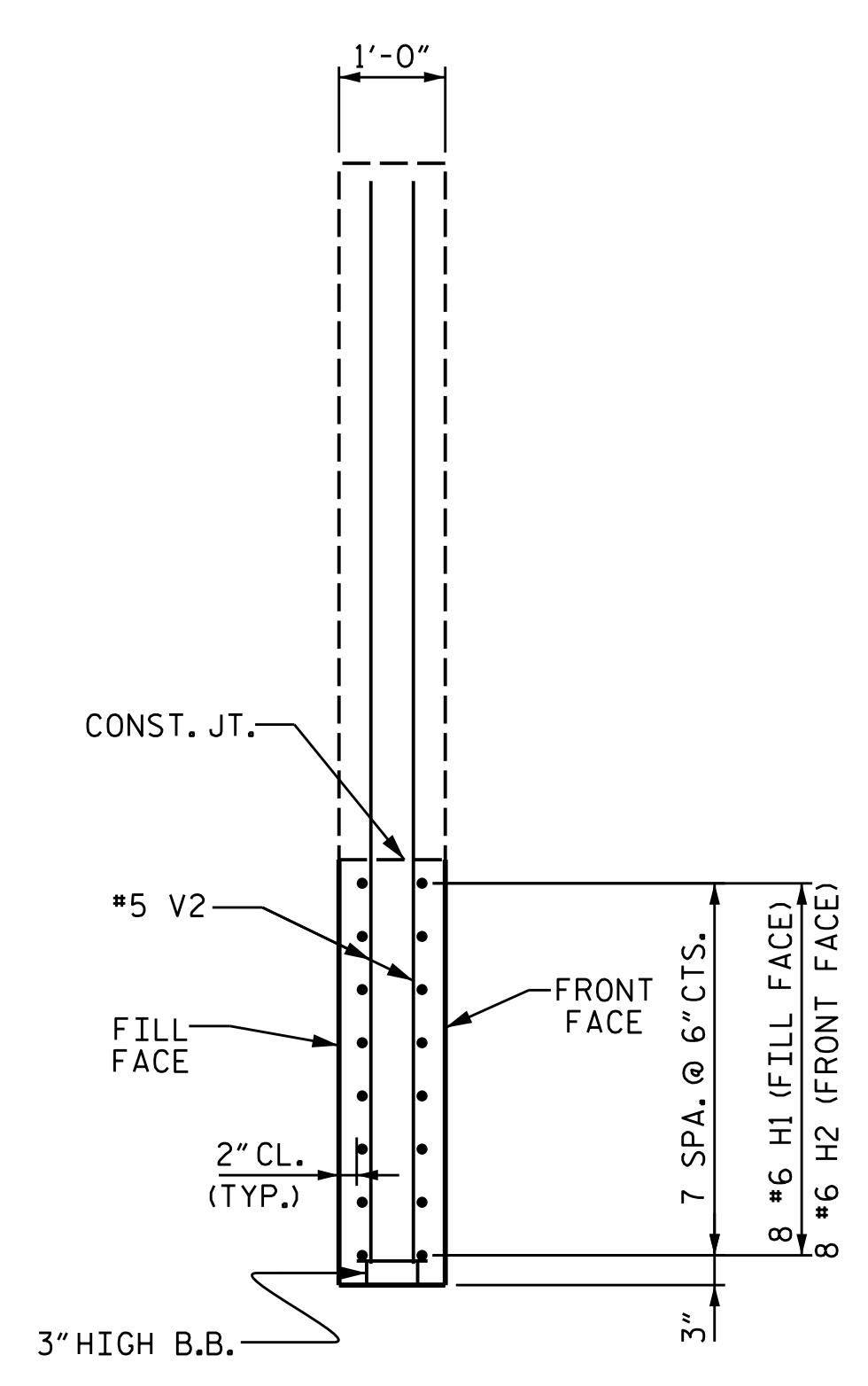


**PLAN OF WING (W1)**



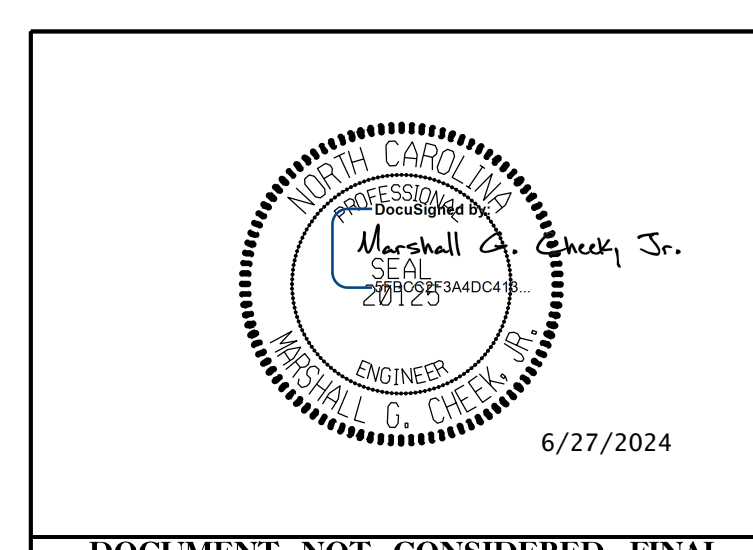
**ELEVATION OF WING (W1)**



**SECTION X-X**

NOTE: FOR UPPER PART OF WING DETAILS AND REINFORCING STEEL, SEE "SUPERSTRUCTURE PLAN OF SPANS DETAILS".

PROJECT NO. B-5845  
CLEVELAND COUNTY  
 STATION: 22+56.00-L-  
 SHEET 2 OF 4



STATE OF NORTH CAROLINA  
 DEPARTMENT OF TRANSPORTATION  
 RALEIGH  
**SUBSTRUCTURE**  
**INTEGRAL**  
**END BENT 1**  
**WING DETAILS**

DRAWN BY : NMW DATE : 8/21  
 CHECKED BY : MGC DATE : 5/22  
 DESIGN ENGINEER OF RECORD : ZCS DATE : 3/23

DOCUMENT NOT CONSIDERED FINAL  
 UNLESS ALL SIGNATURES COMPLETED  
**TGS ENGINEERS**  
 201 W. MARION ST STE 200  
 SHELBY, NC 28150  
 PH (704) 476-0003  
 CORP. LICENSE NO.: C-0275

REVISIONS						SHEET NO.
NO.	BY:	DATE:	NO.	BY:	DATE:	S-29
1			3			TOTAL SHEETS
2			4			40