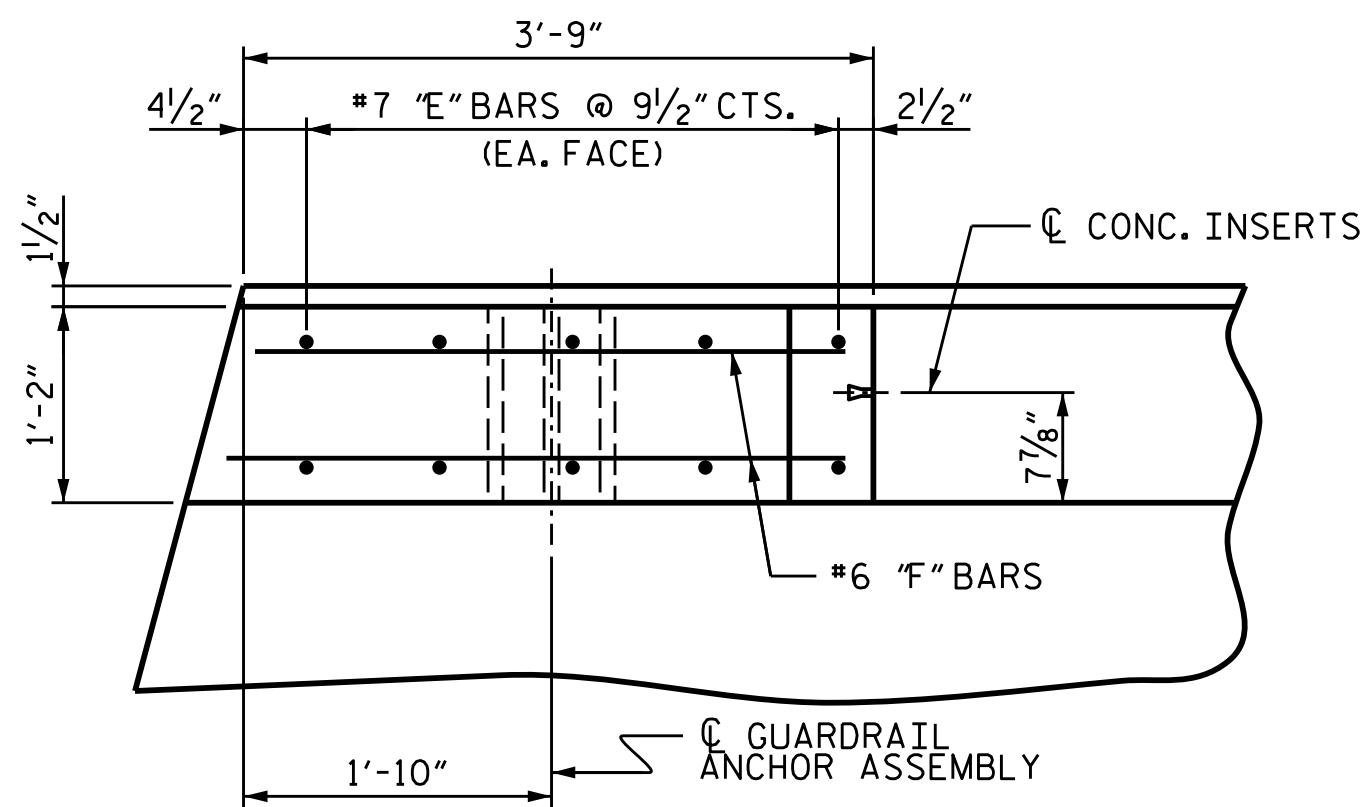
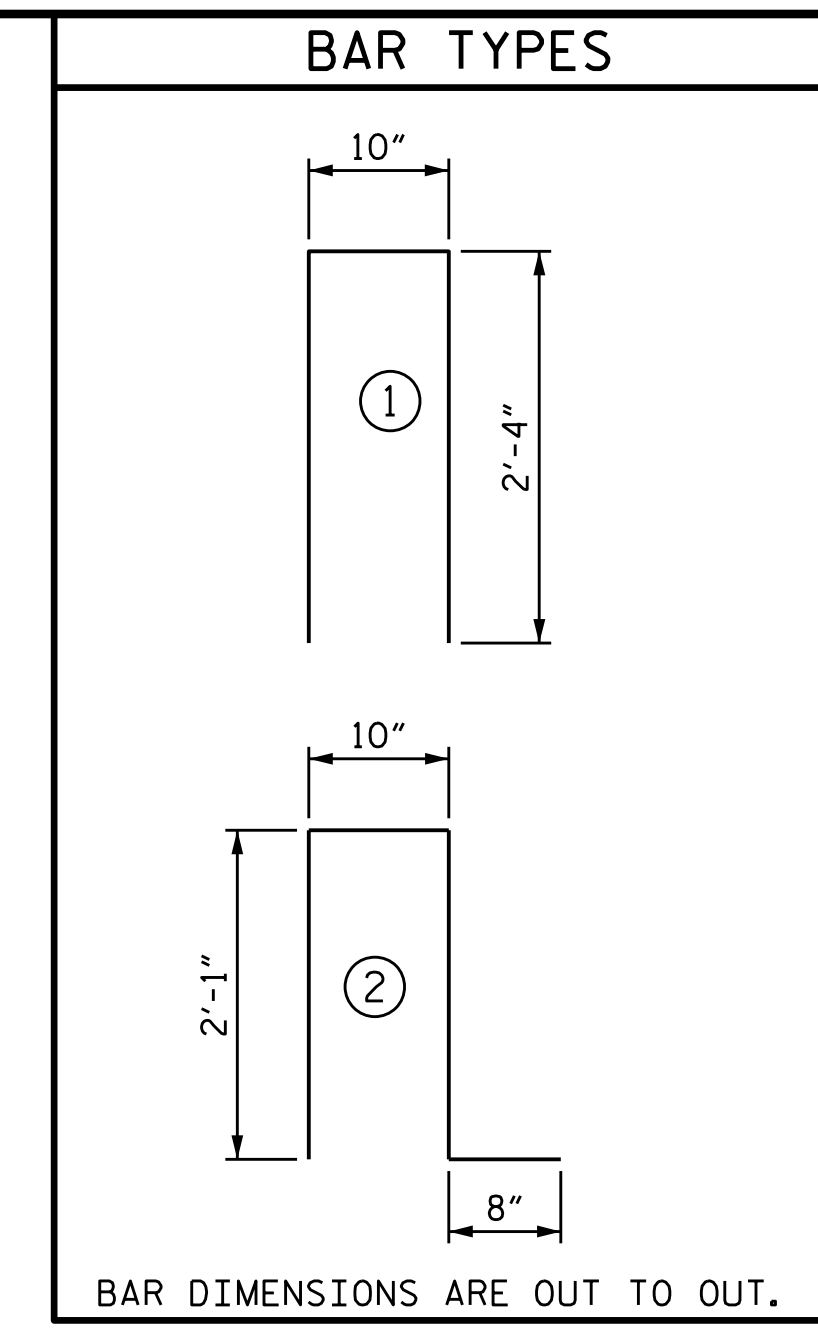


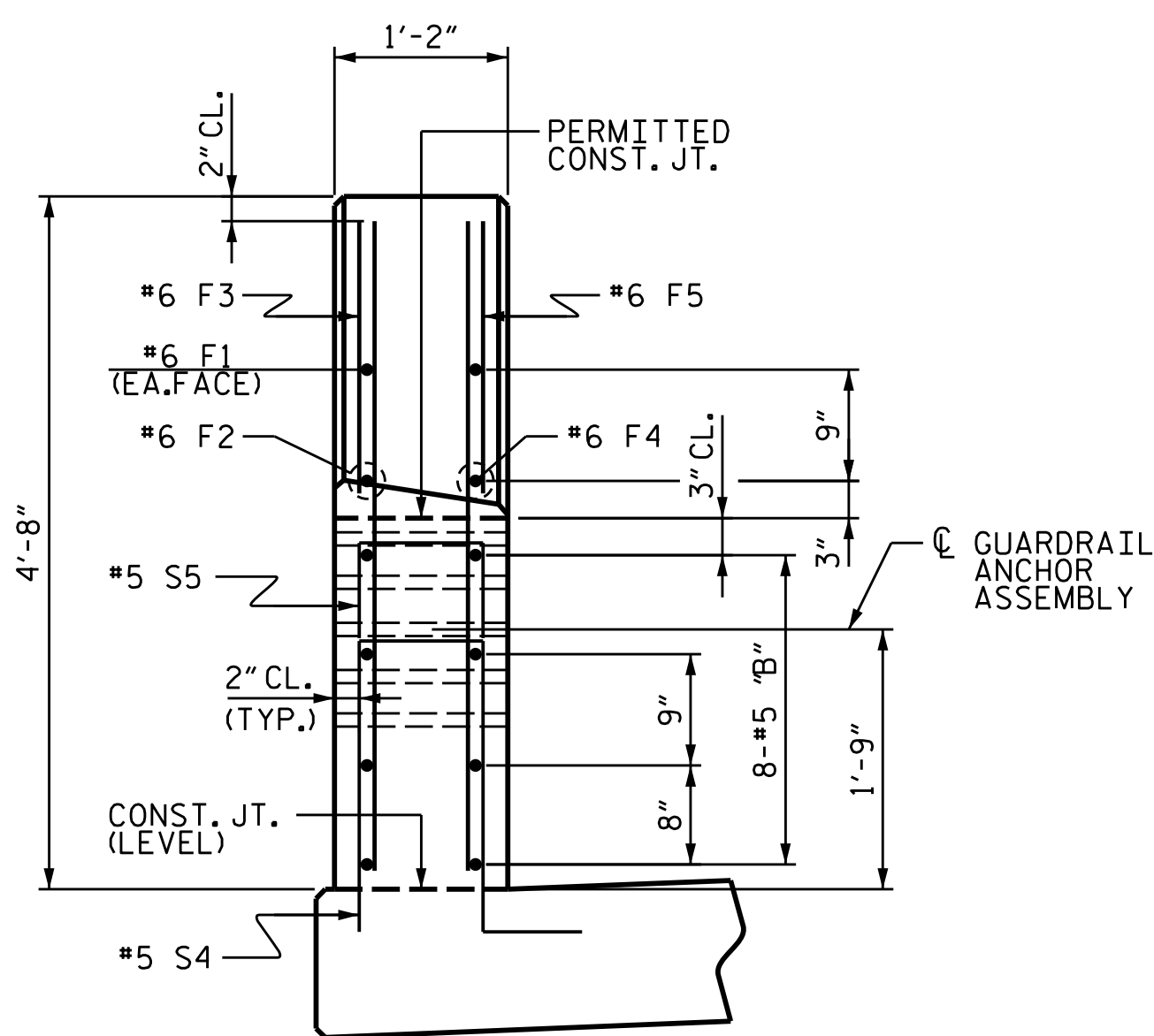
PLAN OF PARAPET



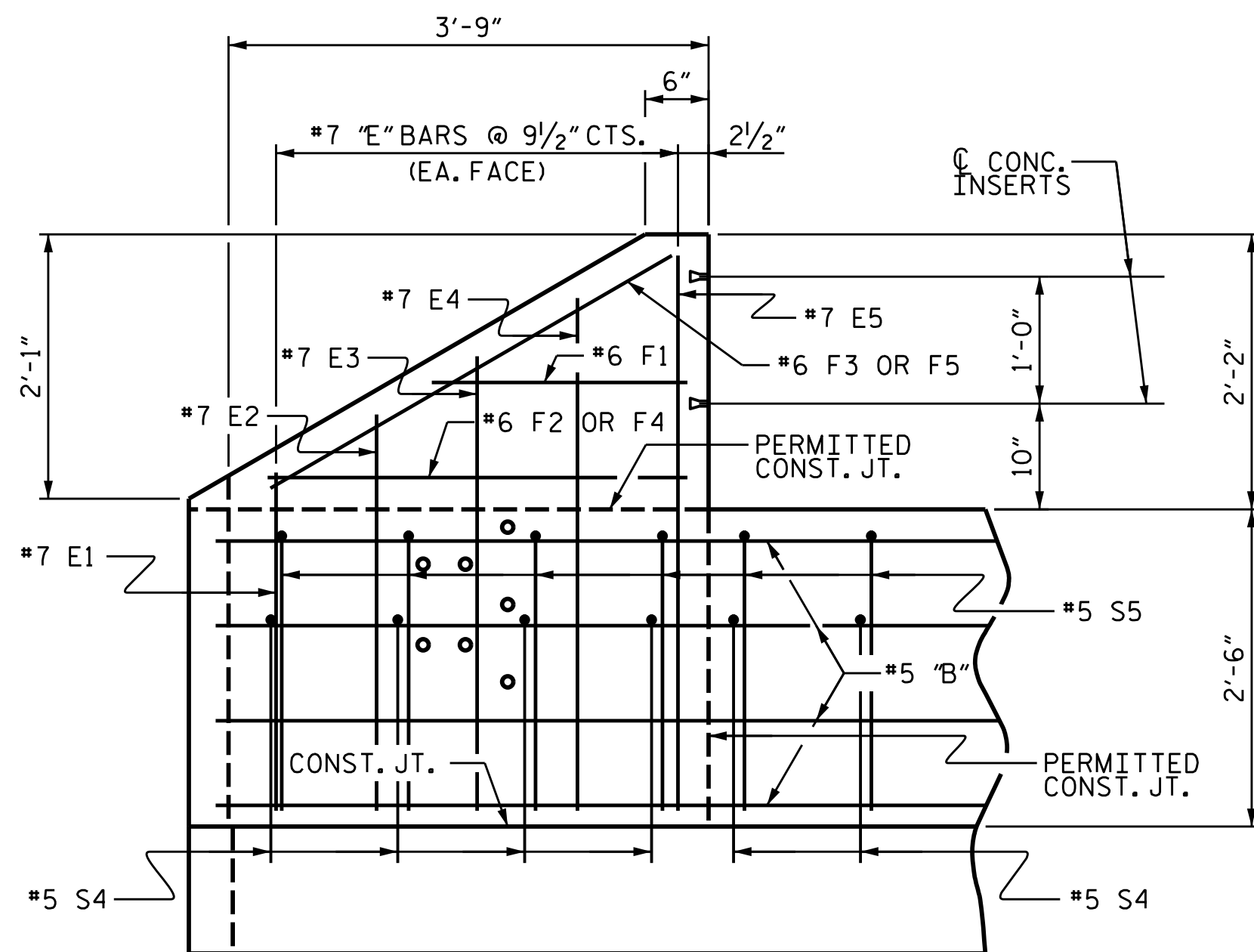
PLAN OF END POST



BILL OF MATERIAL FOR PARAPETS @ SPANS A, B, C & FOUR END POSTS					
BAR	NO.	SIZE	TYPE	LENGTH	WEIGHT
* B1	128	#5	STR.	22'-7"	3,015
* B2	64	#5	STR.	12'-8"	846
* E1	8	#7	STR.	2'-6"	41
* E2	8	#7	STR.	3'-0"	49
* E3	8	#7	STR.	3'-6"	57
* E4	8	#7	STR.	4'-0"	65
* E5	8	#7	STR.	4'-4"	71
* F1	8	#6	STR.	1'-11"	23
* F2	4	#6	STR.	3'-1"	19
* F3	4	#6	STR.	3'-6"	21
* F4	4	#6	STR.	3'-3"	20
* F5	4	#6	STR.	3'-8"	22
* S4	458	#5	2	5'-8"	2,707
* S5	458	#5	1	5'-6"	2,627
* EPOXY COATED REINFORCING STEEL					9,583 LBS.
CLASS "AA" CONCRETE					50.1 C.Y.
1'-2" x 2'-6" CONCRETE PARAPET					456.55 L.F.



END VIEW



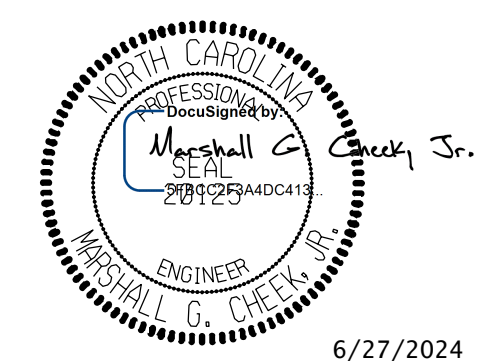
ELEVATION

PARAPET AND END POST FOR TWO BAR METAL RAIL

END BENT 1 SHOWN; END BENT 2 SIMILAR

PROJECT NO. B-5845
 CLEVELAND COUNTY
 STATION: 22+56.00-L-

SHEET 2 OF 2



STATE OF NORTH CAROLINA
 DEPARTMENT OF TRANSPORTATION
 RALEIGH

1'-2" x 2'-6" CONCRETE
 PARAPET AND
 END POST DETAILS

DRAWN BY : JLA DATE : 4/22
 CHECKED BY : MGC DATE : 5/22

DOCUMENT NOT CONSIDERED FINAL
 UNLESS ALL SIGNATURES COMPLETED

TGS ENGINEERS
 201 W. MARION ST STE 200
 SHELBY, NC 28150
 PH (704) 476-0003
 CORP. LICENSE NO.: C-0275

REVISIONS						SHEET NO.
NO.	BY:	DATE:	NO.	BY:	DATE:	S-22
1			3			TOTAL SHEETS
2			4			40