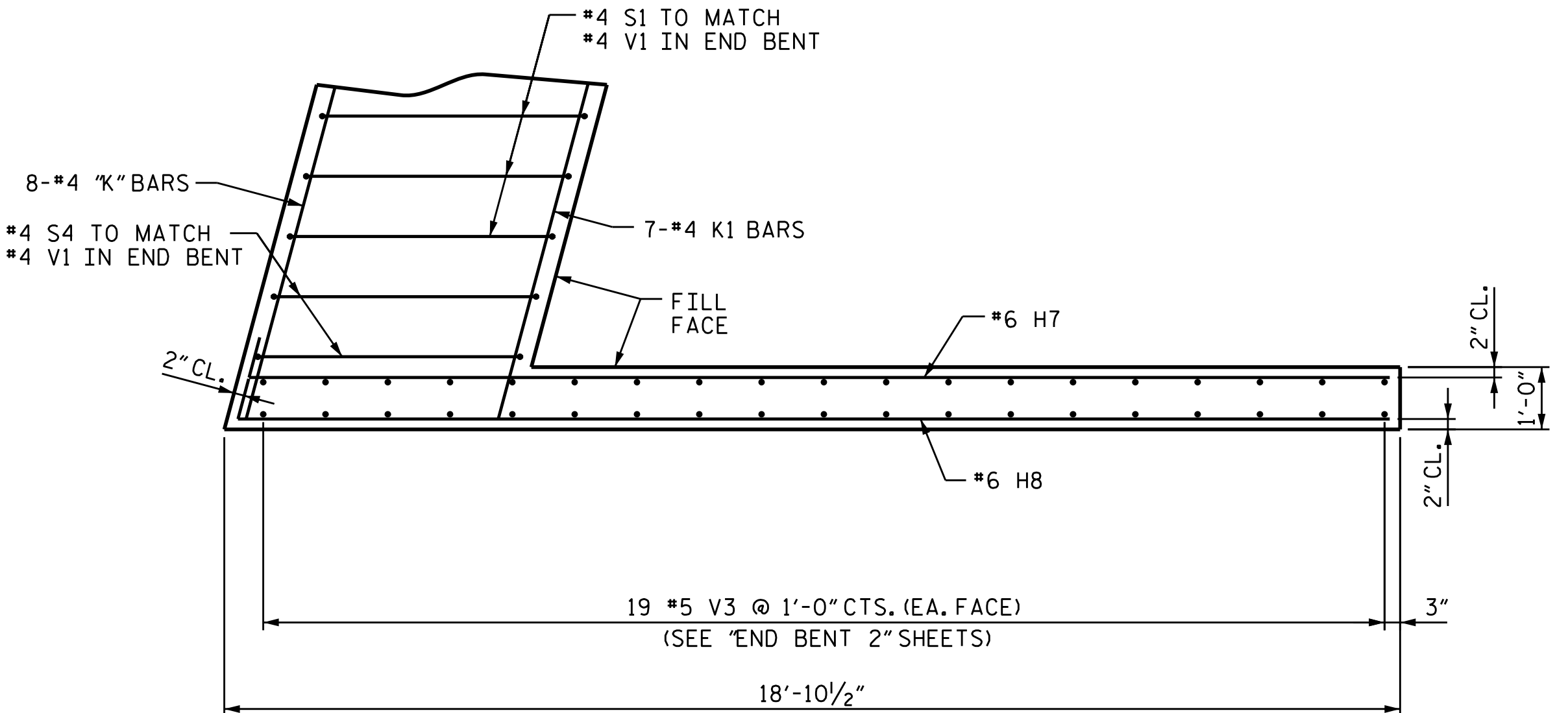
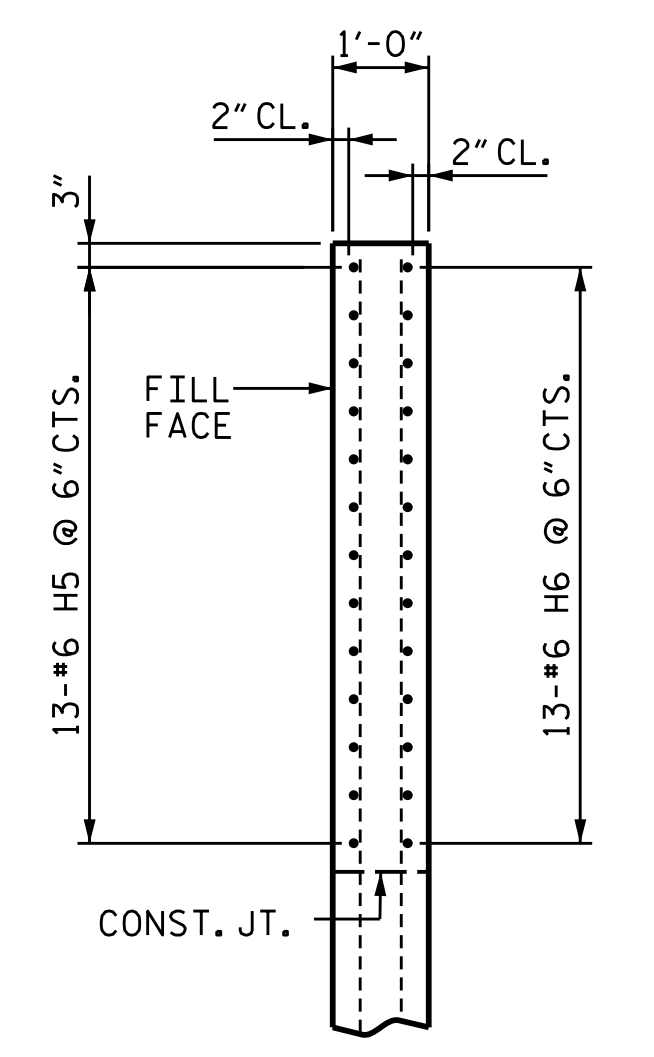


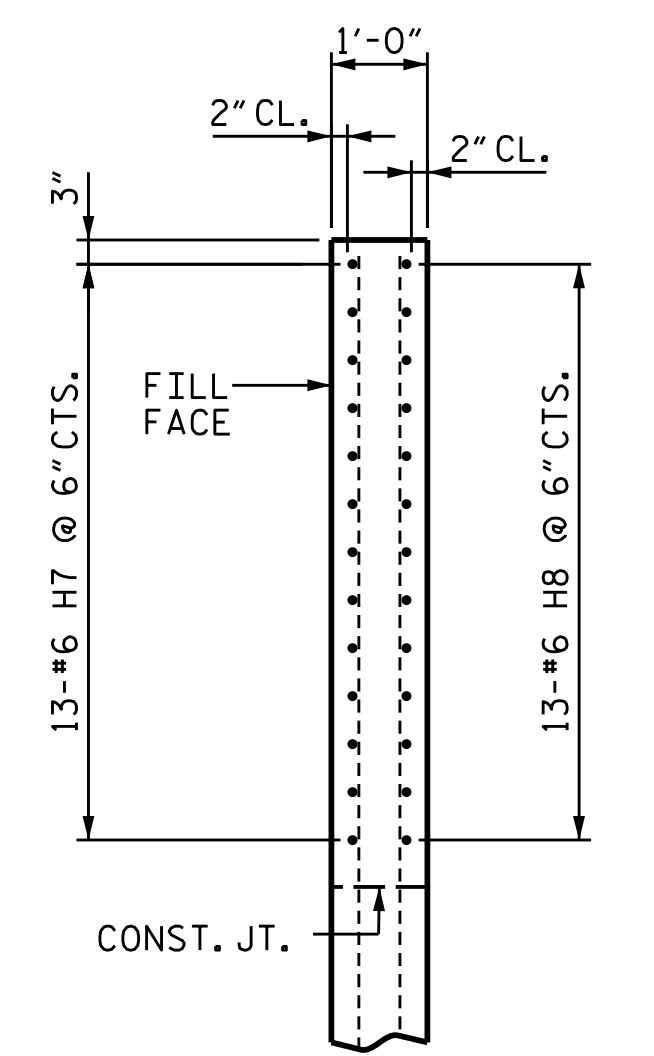
PLAN - "W3" AT END BENT 2



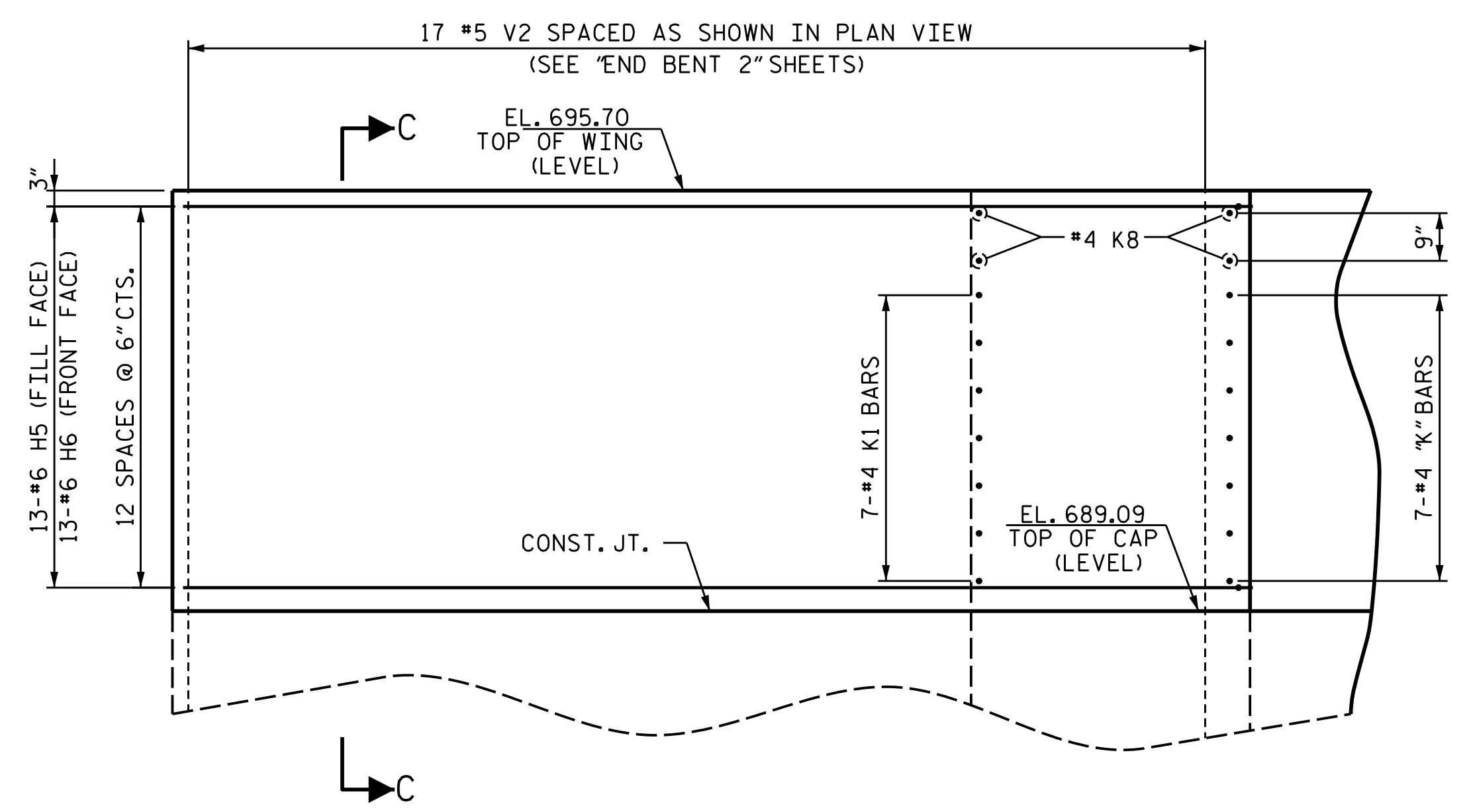
PLAN - "W4" AT END BENT 2



SECTION C-C

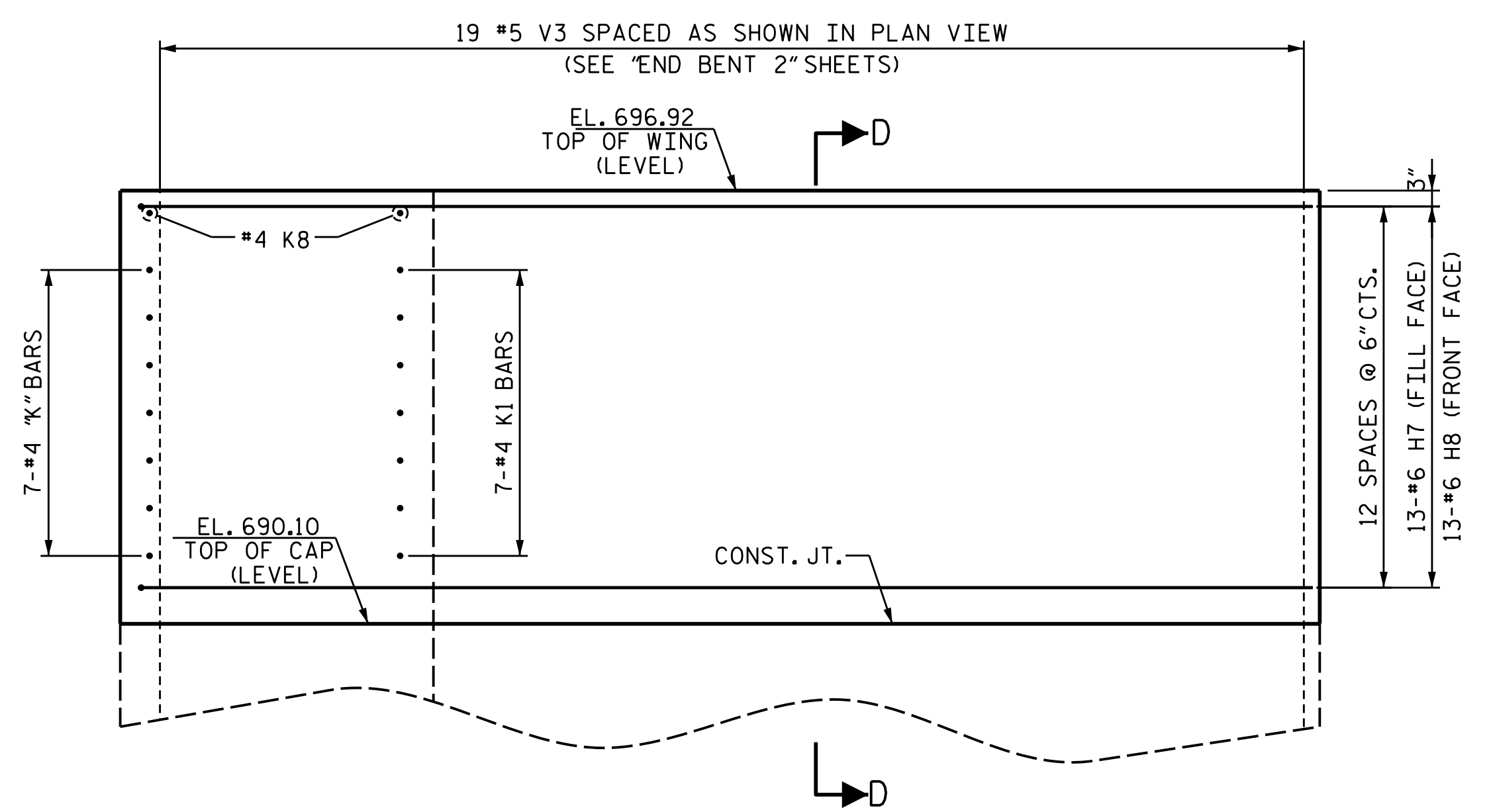


SECTION D-D



ELEVATION - "W3" AT END BENT 2

(FOR THE LOWER PART OF WING DETAIL AND REINFORCING STEEL, SEE "END BENT 2" SHEETS)



ELEVATION - "W4" AT END BENT 2

(FOR THE LOWER PART OF WING DETAIL AND REINFORCING STEEL, SEE "END BENT 2" SHEETS)

PROJECT NO. B-5845  
 CLEVELAND COUNTY  
 STATION: 22+56.00-L-

SHEET 4 OF 4

STATE OF NORTH CAROLINA  
 PROFESSIONAL ENGINEER  
 Marshall G. Cheek, Jr.  
 2024  
 6/27/2024

DOCUMENT NOT CONSIDERED FINAL  
 UNLESS ALL SIGNATURES COMPLETED

TGS ENGINEERS  
 201 W. MARION ST STE 200  
 SHELBY, NC 28150  
 PH: (704) 476-0003  
 CORP. LICENSE NO.: C-0275

STATE OF NORTH CAROLINA DEPARTMENT OF TRANSPORTATION RALEIGH						SHEET NO.
SUPERSTRUCTURE						S-14
PLAN OF SPANS DETAILS						TOTAL SHEETS
						40
REVISIONS						
NO.	BY:	DATE:	NO.	BY:	DATE:	
1			3			
2			4			

DRAWN BY :	JLA	DATE :	4/23
CHECKED BY :	MGC	DATE :	4/23
DESIGN ENGINEER OF RECORD :	MGC	DATE :	4/23