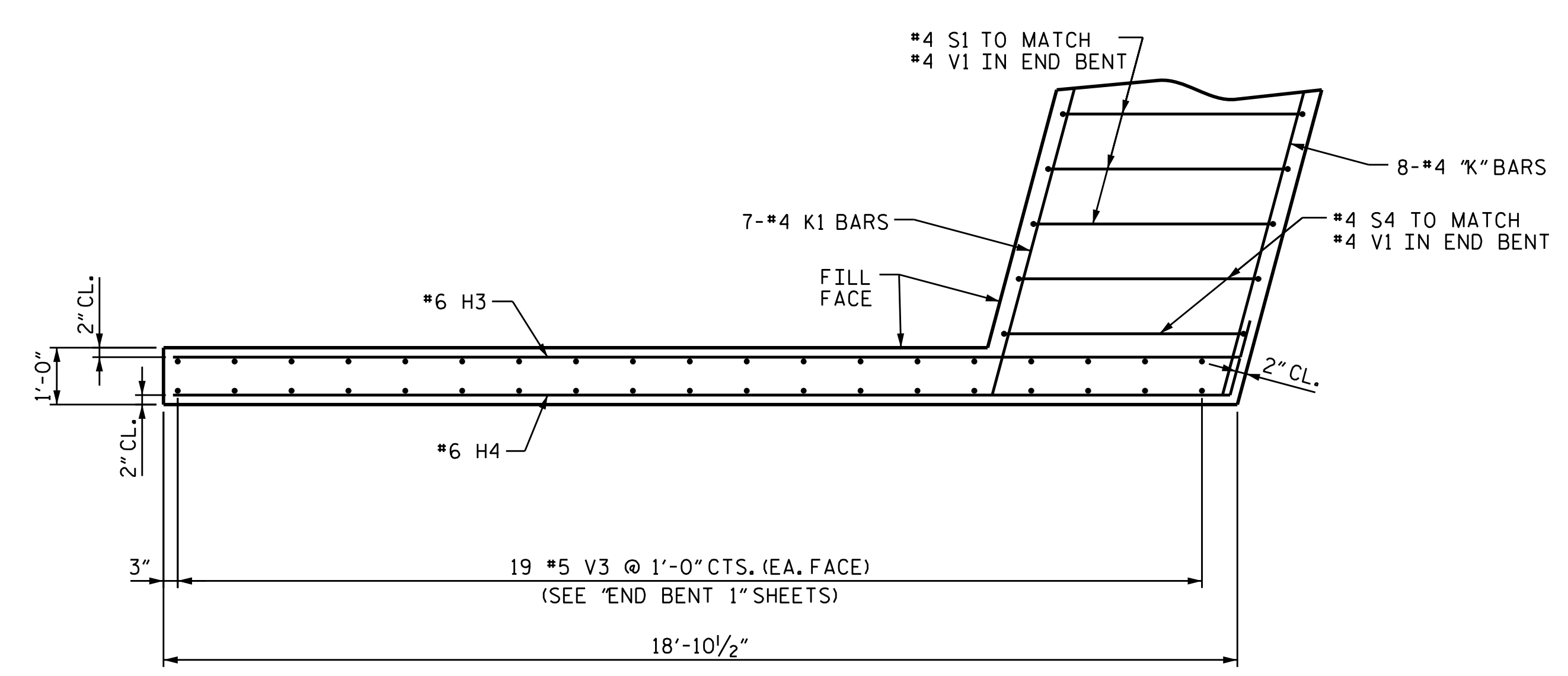
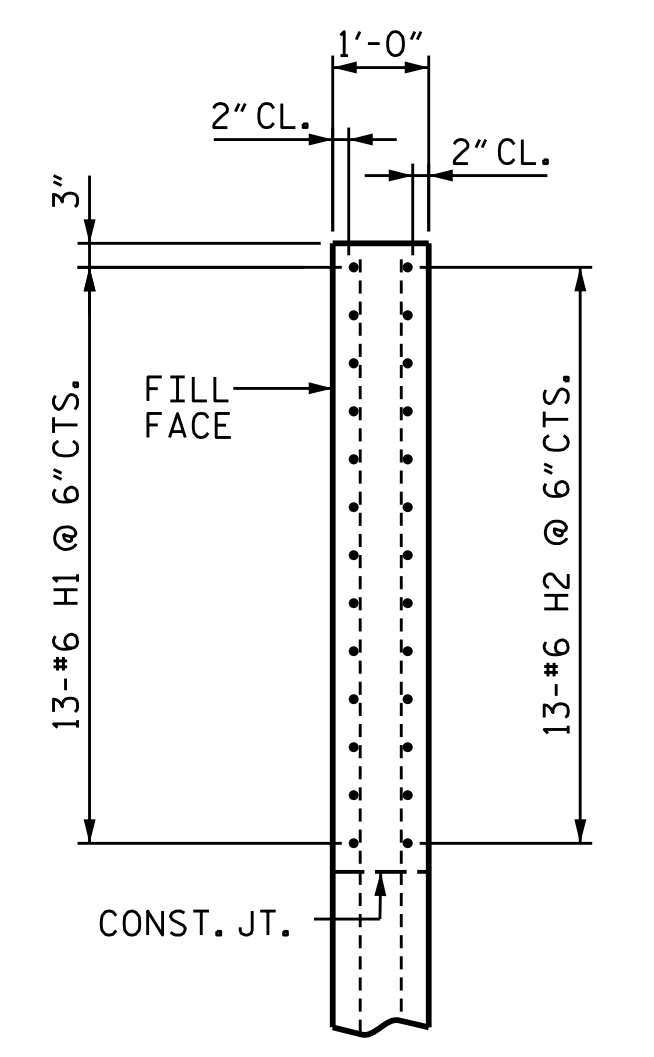


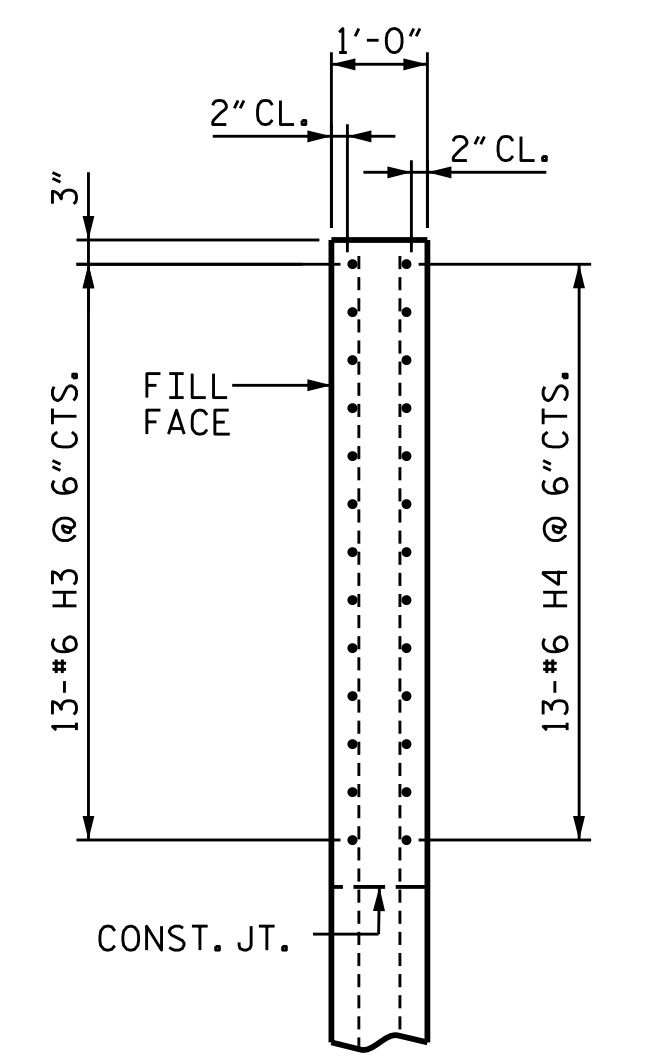
PLAN - "W1" AT END BENT 1



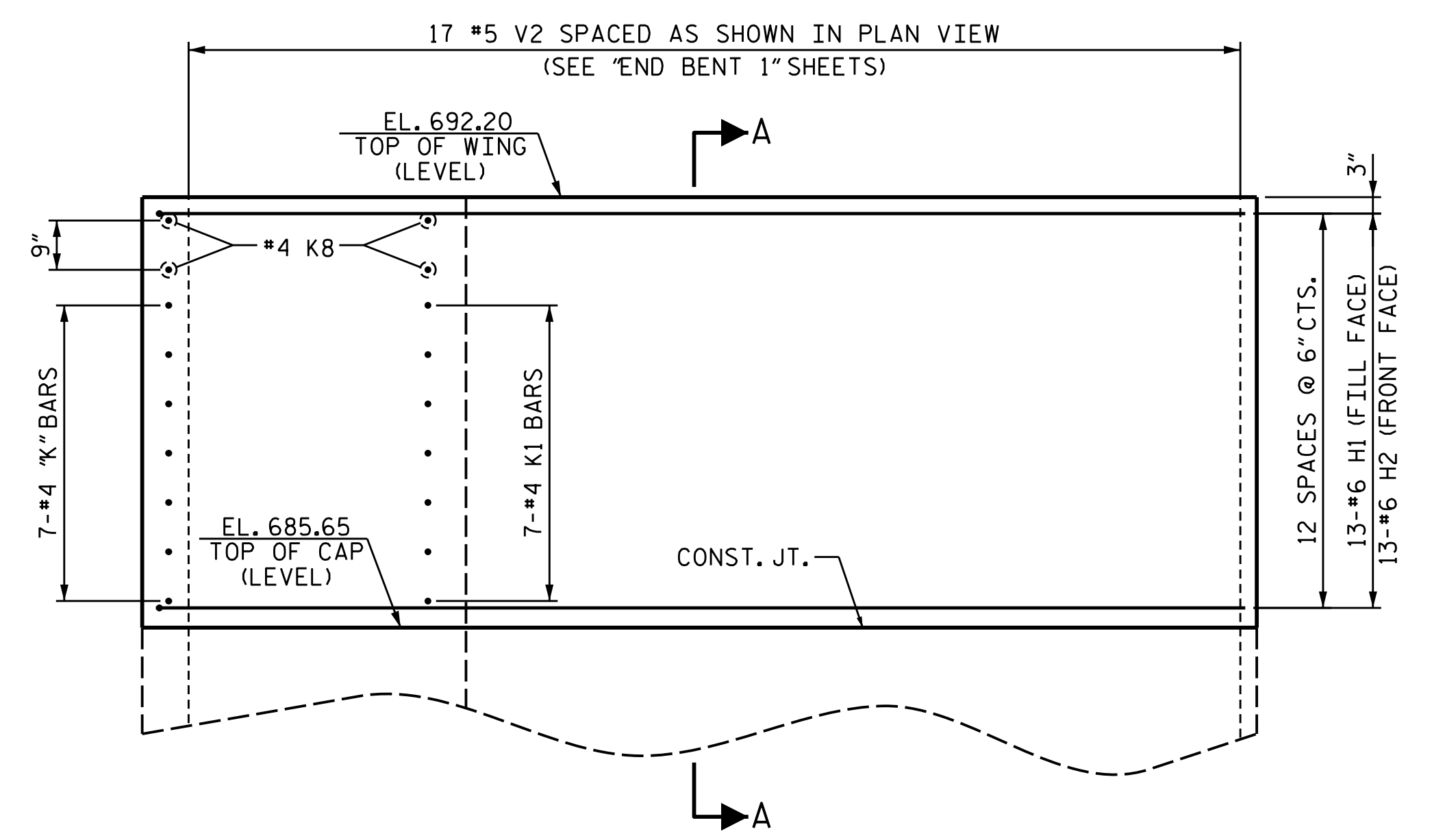
PLAN - "W2" AT END BENT 1



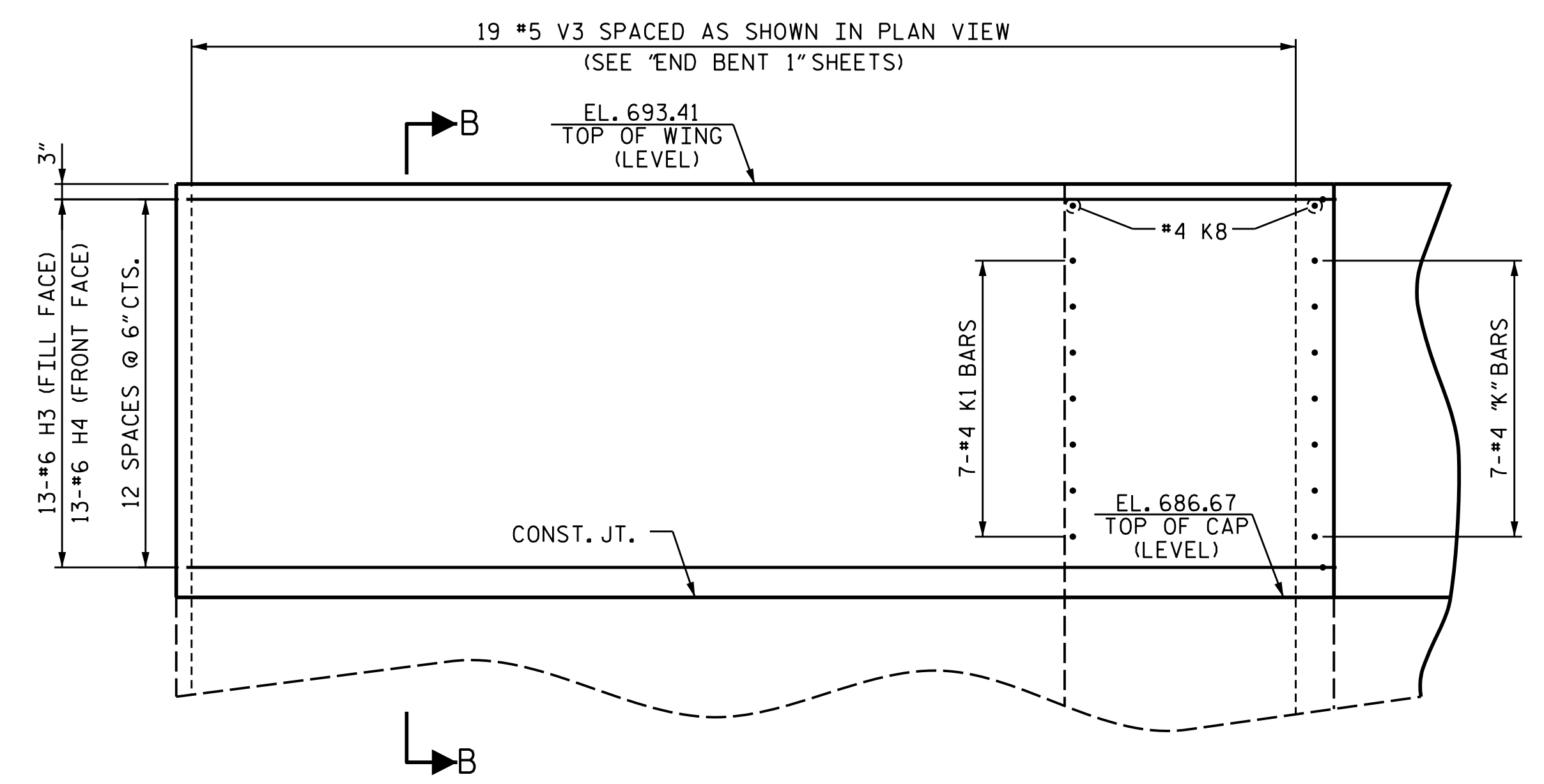
SECTION A-A



SECTION B-B



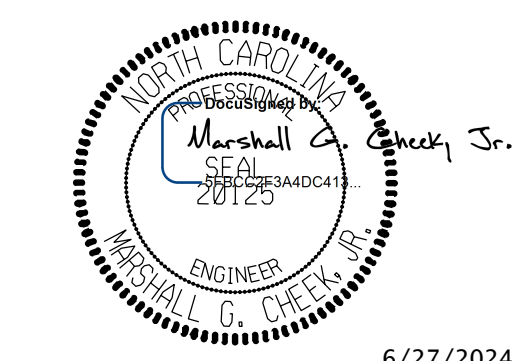
ELEVATION - "W1" AT END BENT 1
(FOR THE LOWER PART OF WING DETAIL AND REINFORCING STEEL, SEE "END BENT 1" SHEETS)



ELEVATION - "W2" AT END BENT 1
(FOR THE LOWER PART OF WING DETAIL AND REINFORCING STEEL, SEE "END BENT 1" SHEETS)

PROJECT NO. B-5845
CLEVELAND COUNTY
STATION: 22+56.00-L-

SHEET 3 OF 4



STATE OF NORTH CAROLINA
DEPARTMENT OF TRANSPORTATION
RALEIGH
SUPERSTRUCTURE
PLAN OF SPANS
DETAILS

DRAWN BY : JLA DATE : 4/23
CHECKED BY : MGC DATE : 4/23
DESIGN ENGINEER OF RECORD : MGC DATE : 4/23

DOCUMENT NOT CONSIDERED FINAL
UNLESS ALL SIGNATURES COMPLETED
TGS ENGINEERS
201 W. MARION ST STE 200
SHELBY, NC 28150
PH (704) 476-0003
CORP. LICENSE NO.: C-0275

REVISIONS						SHEET NO.
NO.	BY	DATE	NO.	BY	DATE	
1			3			S-13
2			4			TOTAL SHEETS 40