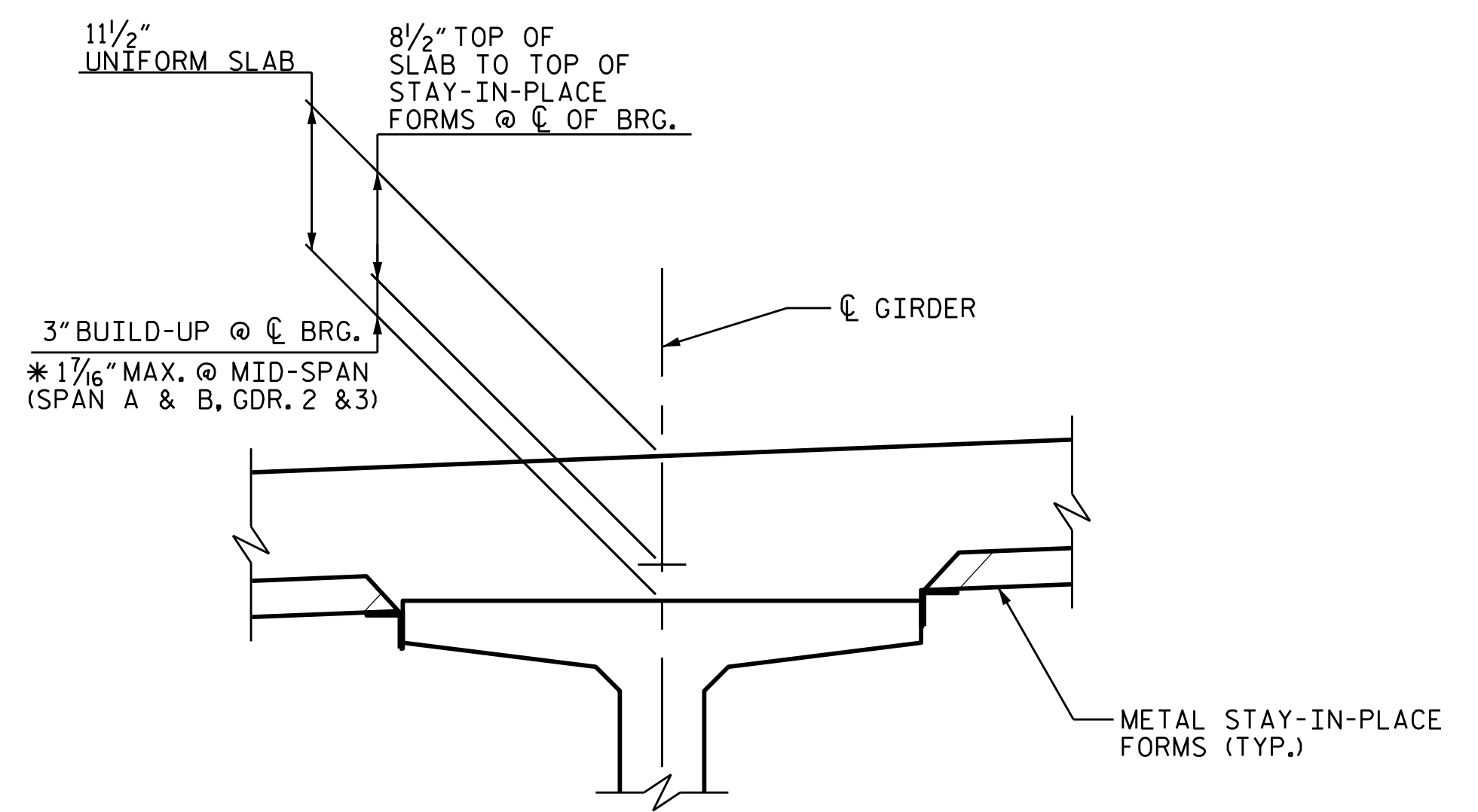


TYPICAL SECTION AT INTERMEDIATE DIAPHRAGMS



DETAIL A

* BASED ON PREDICTED FINAL CAMBER AND THEORETICAL GRADE LINE ELEVATIONS.

PROJECT NO. B-5845
CLEVELAND COUNTY
 STATION: 22+56.00-L-

SHEET 2 OF 4

STATE OF NORTH CAROLINA
 DEPARTMENT OF TRANSPORTATION
 RALEIGH
 SUPERSTRUCTURE

TYPICAL SECTION

6/27/2024

DOCUMENT NOT CONSIDERED FINAL UNLESS ALL SIGNATURES COMPLETED

TGS ENGINEERS
 201 W. MARION ST STE 200
 SHELBY, NC 28150
 PH (704) 476-0003
 CORP. LICENSE NO.: C-0275

REVISIONS						SHEET NO.
NO.	BY	DATE	NO.	BY	DATE	S-8
1			3			TOTAL SHEETS
2			4			40

DRAWN BY : JLA DATE : 4/22
 CHECKED BY : MGC DATE : 4/22
 DESIGN ENGINEER OF RECORD : MGC DATE : 8/22