
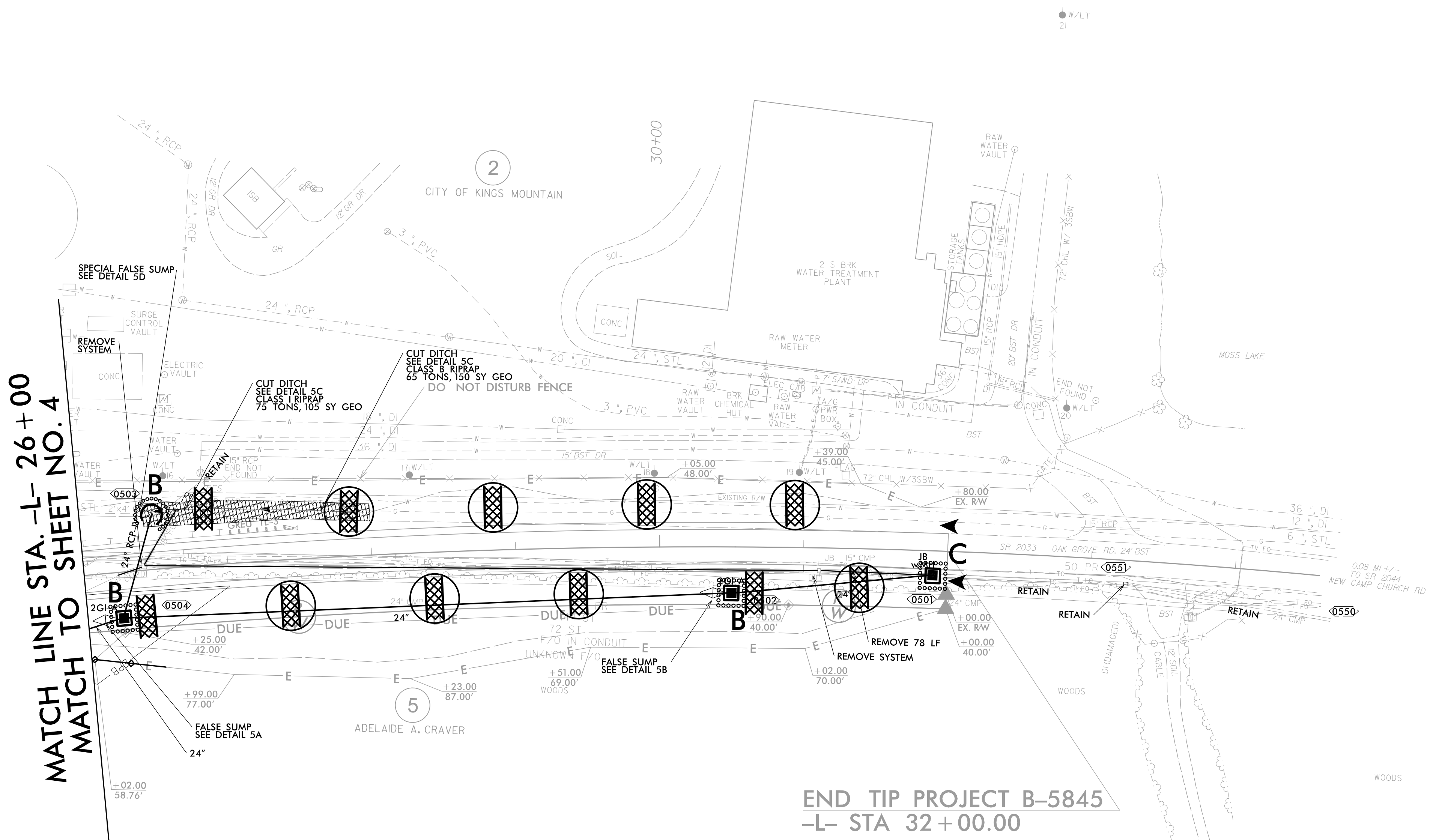
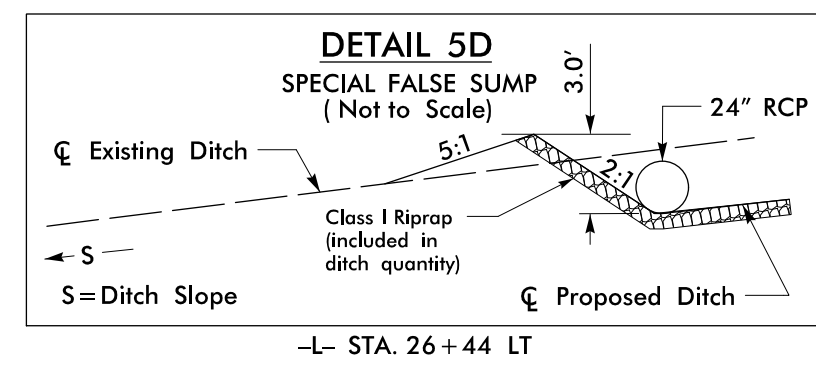
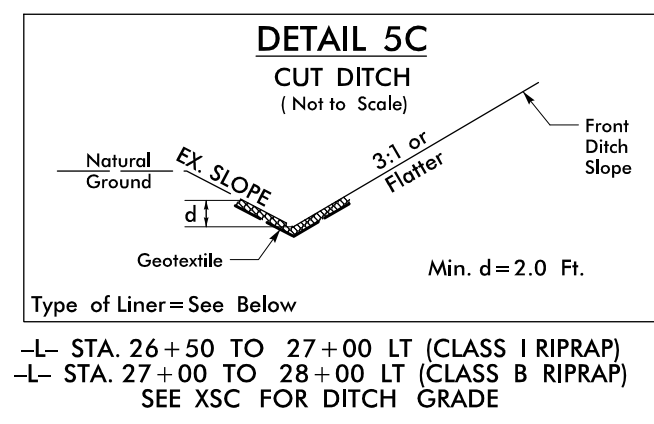
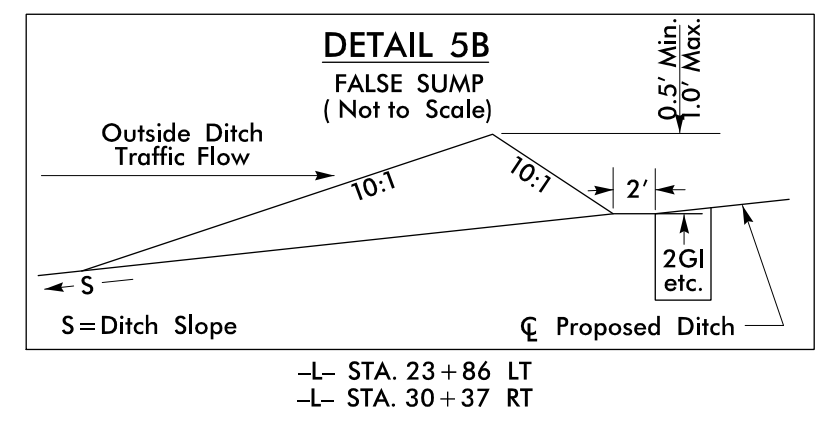
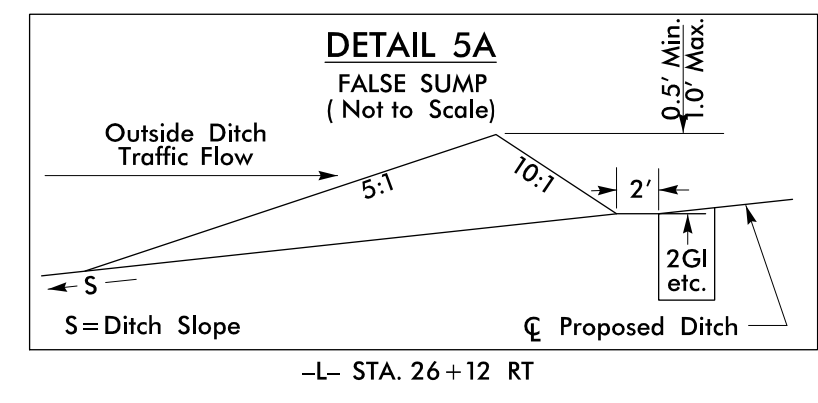


Cleveland County
Bridge #25

| | |
|---|----------------------------|
| PROJECT REFERENCE NO. B-5845 | SHEET NO. EC-07/CONST.5 |
| RW SHEET NO. | |
| ROADWAY DESIGN ENGINEER | HYDRAULICS ENGINEER |
|  TGS ENGINEERS 201 W. MARION ST. STE 200 SHELBY, NC 28150 PH (704) 476-0003 CORP. LICENSE NO.: C-0275 | |

NAD 83/2011

For Slopes Excavated Greater Than 10 feet
Install Matting for Erosion Control on
Entire Slope as Work Allows.



SAFETY FENCE