


PROJECT REFERENCE NO. B-5845	SHEET NO. 2G-1
GEOTECHNICAL ENGINEER  D. Matthew Brewer 04/21/2023 SIGNATURE DATE	ENGINEER
DOCUMENT NOT CONSIDERED FINAL UNLESS ALL SIGNATURES COMPLETED	

FOR USE IN THE FOLLOWING LOCATIONS,
OR AS DIRECTED BY THE ENGINEER.

STATIONS:
-L- 13+00 TO 14+25, RT

NOTES:

FOR ROCK EMBANKMENTS, SEE ROCK EMBANKMENTS SPECIAL PROVISION

CONSTRUCT ROCK EMBANKMENTS AS SHOWN IN THE DETAIL AND IN ACCORDANCE WITH THE ROCK EMBANKMENTS SPECIAL PROVISION

USE SELECT MATERIAL, CLASS VII, RIP RAP, CLASS A, RIP RAP, CLASS B, AND SELECT MATERIAL, CLASS VI TO CONSTRUCT ROCK EMBANKMENTS AS SHOWN. RIP RAP, CLASS A AND B AND SELECT MATERIAL, CLASS VI SHALL BE USED TO CHOKE OFF VOIDS IN SELECT MATERIAL, CLASS VII BEFORE PLACING GEOTEXTILE FOR ROCK EMBANKMENTS AND SELECT MATERIAL, CLASS IV

RIP RAP, CLASS A AND B SHALL MEET THE REQUIREMENTS OF SECTION 1042 OF THE STANDARD SPECIFICATIONS

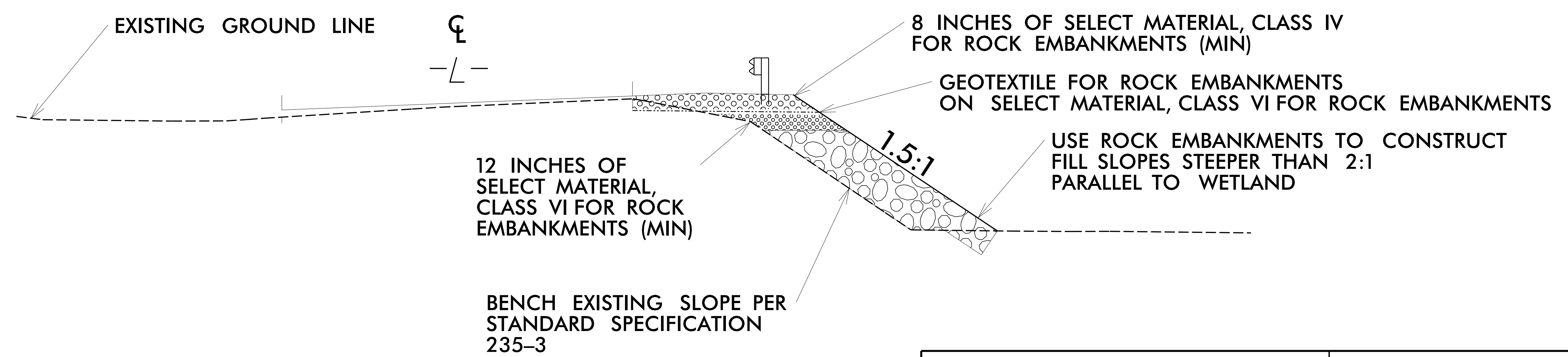
SELECT MATERIAL, CLASS VII SHALL MEET THE GRADATION REQUIREMENTS IN SECTION 1016 OF THE STANDARD SPECIFICATIONS

SELECT MATERIAL, CLASS VI SHALL MEET THE GRADATION REQUIREMENTS IN SECTION 1016 OF THE STANDARD SPECIFICATIONS

SELECT MATERIAL, CLASS IV SHALL MEET THE GRADATION REQUIREMENTS IN SECTION 1016 OF THE STANDARD SPECIFICATIONS

INSTALL GEOTEXTILE FOR ROCK EMBANKMENTS ON TOP OF ROCK EMBANKMENTS IN ACCORDANCE WITH THE ROCK EMBANKMENTS SPECIAL PROVISION AND ARTICLE 270-3 OF THE STANDARD SPECIFICATIONS

ESTIMATED QUANTITIES ROCK EMBANKMENTS	
SELECT MATERIAL, CLASS VII FOR ROCK EMBANKMENTS	460 TON
SELECT MATERIAL, CLASS VI FOR ROCK EMBANKMENTS	60 TON
SELECT MATERIAL, CLASS IV FOR ROCK EMBANKMENTS	60 TON
RIP RAP, CLASS B	70 TON
RIP RAP, CLASS A	70 TON
GEOTEXTILE FOR ROCK EMBANKMENTS	220 SY



ROCK EMBANKMENTS TYPICAL DETAIL
NOT TO SCALE

PREPARED BY: D. MATTHEW BREWER, P.E.	DATE: 4/21/23
REVIEWED BY: ROBERT E. KRAL, P.E.	DATE: 4/21/23

Prepared in the Office of:



**CAROLINAS
GEOTECHNICAL
GROUP**
2400 CROWNPOINT EXECUTIVE DRIVE
SUITE 800
CHARLOTTE, NC 28227
(980) 339-8684

REVISIONS					
NO.	BY	DATE	NO.	BY	DATE
1			3		
2			4		

**GEOTECHNICAL
CONSTRUCTION DETAILS -
ROCK EMBANKMENTS -
WIDENED FILL DETAIL**