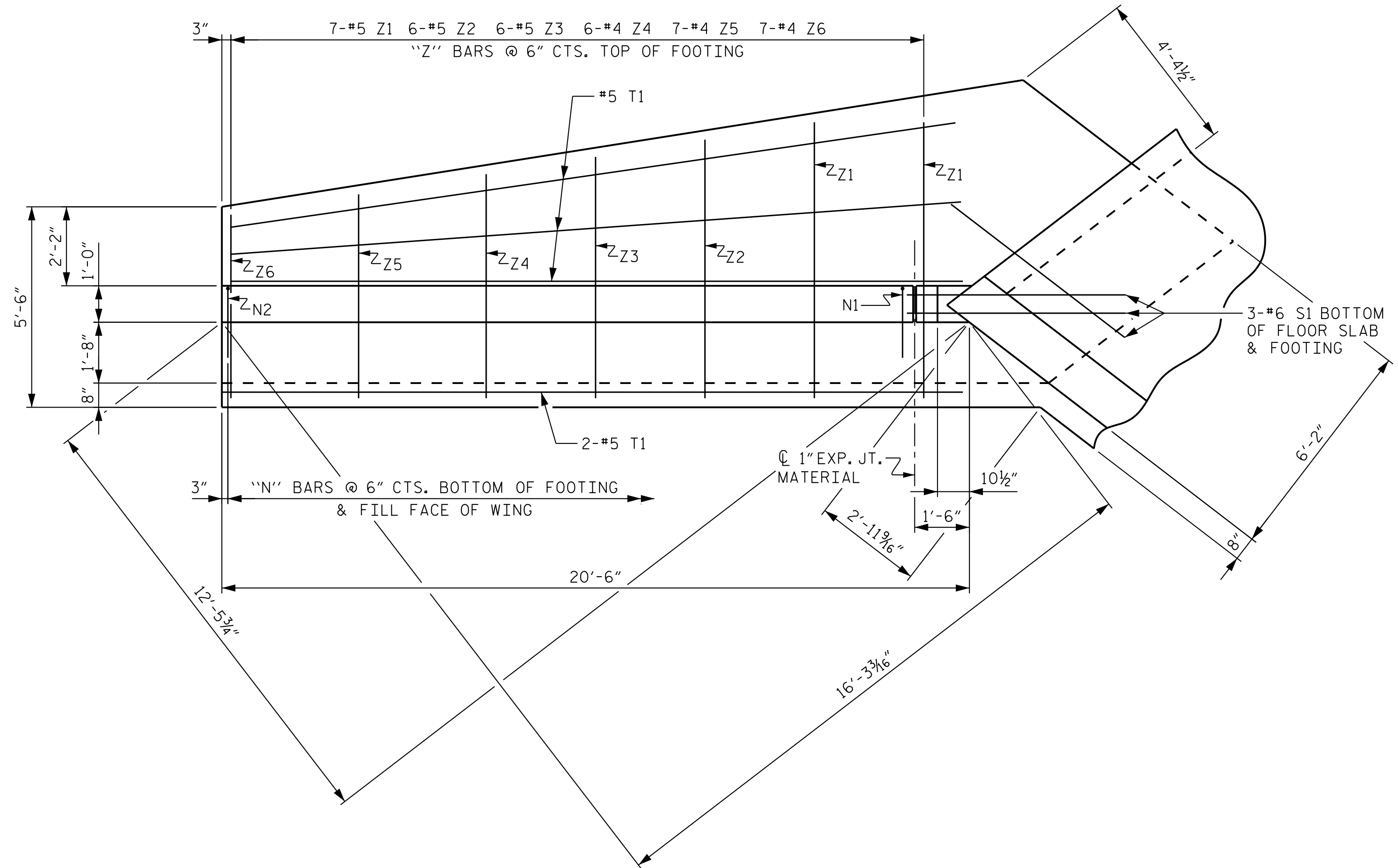
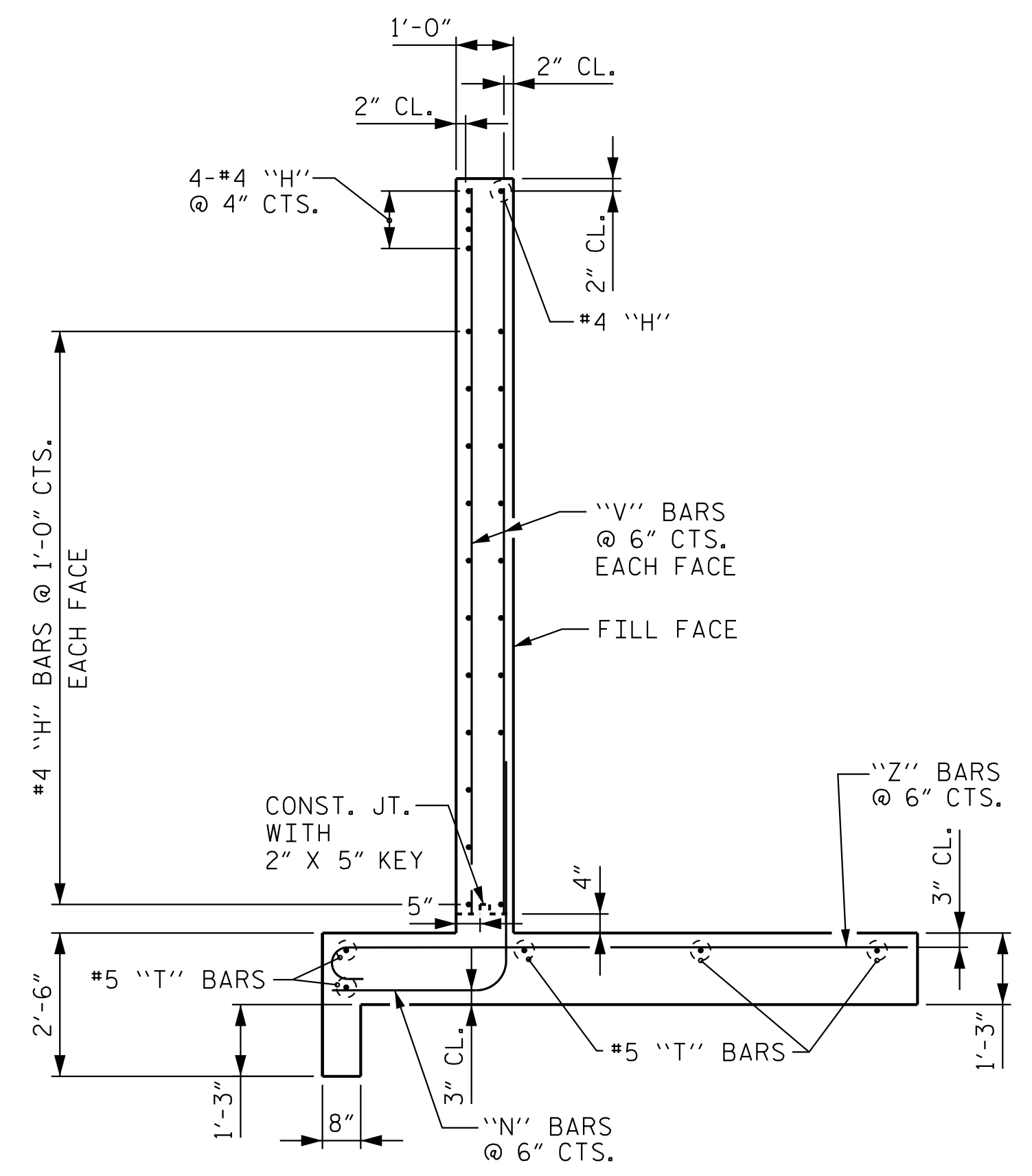


NOTES

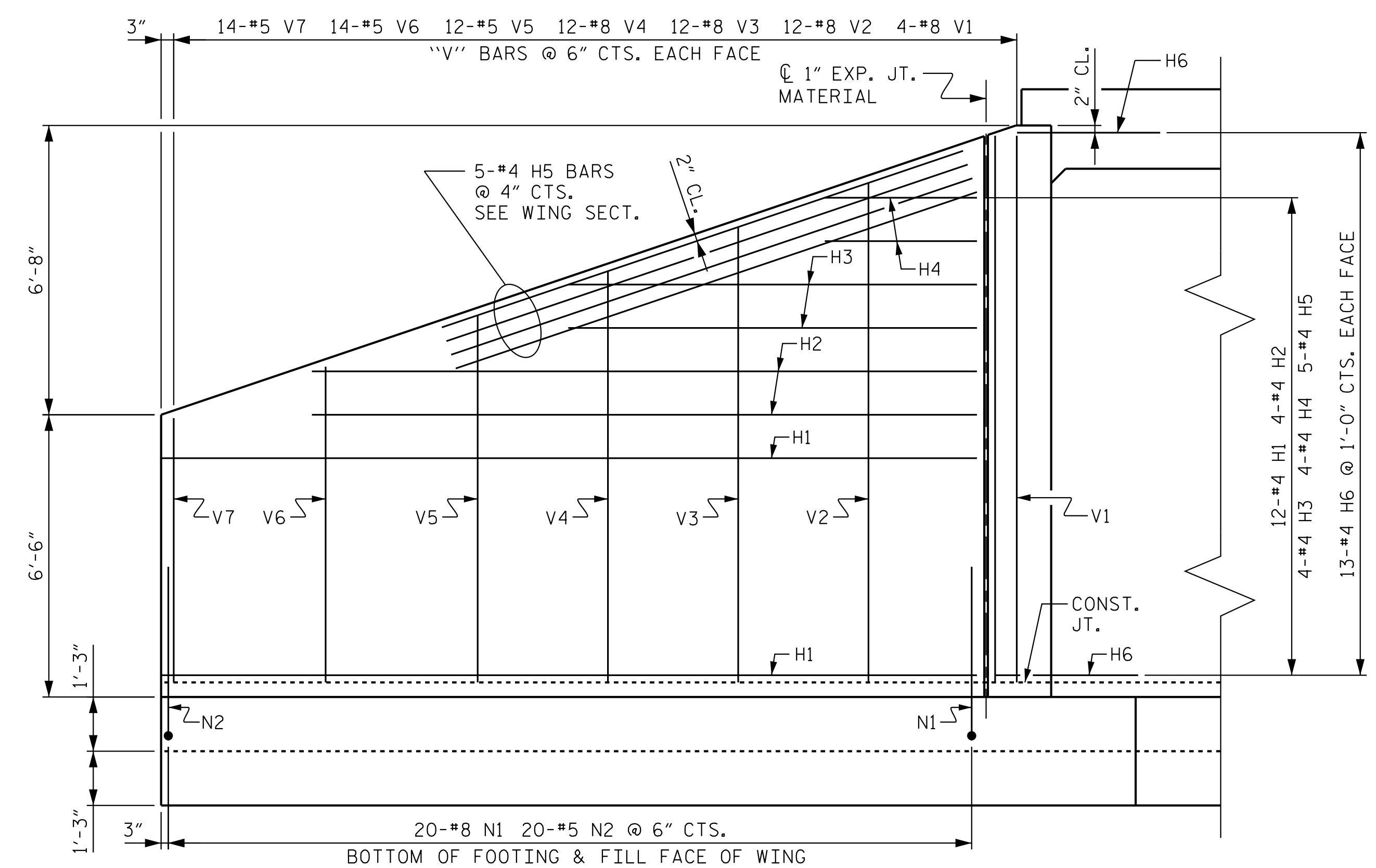
SEE SHEET C4-7 FOR BILL OF MATERIAL.



PLAN W1



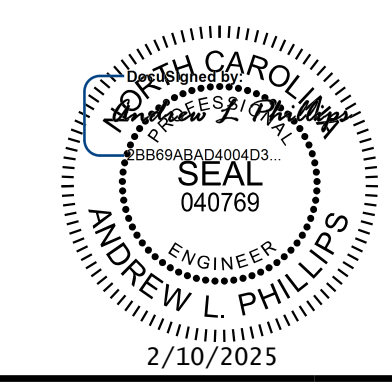
TYPICAL WING SECTION



ELEVATION W1

PROJECT NO. R-5930B
CHATHAM COUNTY
 STATION: 124+63.87 -L-

SHEET 6 OF 7



Kimley»Horn
 421 Fayetteville Street, Suite 600
 Raleigh, NC 27601-1772
 Phone (919) 677-2000 NC LICENSE # F-0102

STATE OF NORTH CAROLINA
 DEPARTMENT OF TRANSPORTATION
 RALEIGH

WING DETAILS FOR
 CONCRETE BOX CULVERT
 H = 12'-0" SLOPE = 2:1
 105° SKEW

REVISIONS						SHEET NO.
NO.	BY:	DATE:	NO.	BY:	DATE:	C4-6
1			3			TOTAL SHEETS
2			4			7

**DOCUMENT NOT CONSIDERED FINAL
 UNLESS ALL SIGNATURES COMPLETED**

This document, together with the concepts and designs presented herein, is an integral part of the contract for the project. It is to be used only for the project and site for which it was prepared. It is not to be used for any other project or site without the written authorization and approval by Kimley-Horn and Associates, Inc. shall be without liability to Kimley-Horn and Associates, Inc.
 Copyright Kimley-Horn and Associates, Inc., 2024

K:\BIDI_Structures\Curves\NC\01036532 - R-5930 - North CPW\Con\Draws\5930B\413.006_R5930B_SML_C406.dgn
 10/23/2024

DRAWN BY: D. D. LOWERY DATE: 10/2023
 CHECKED BY: B. M. KROL DATE: 01/2024
 DESIGN ENGINEER OF RECORD: A. L. PHILLIPS DATE: 03/2024

CULVERT 42C004