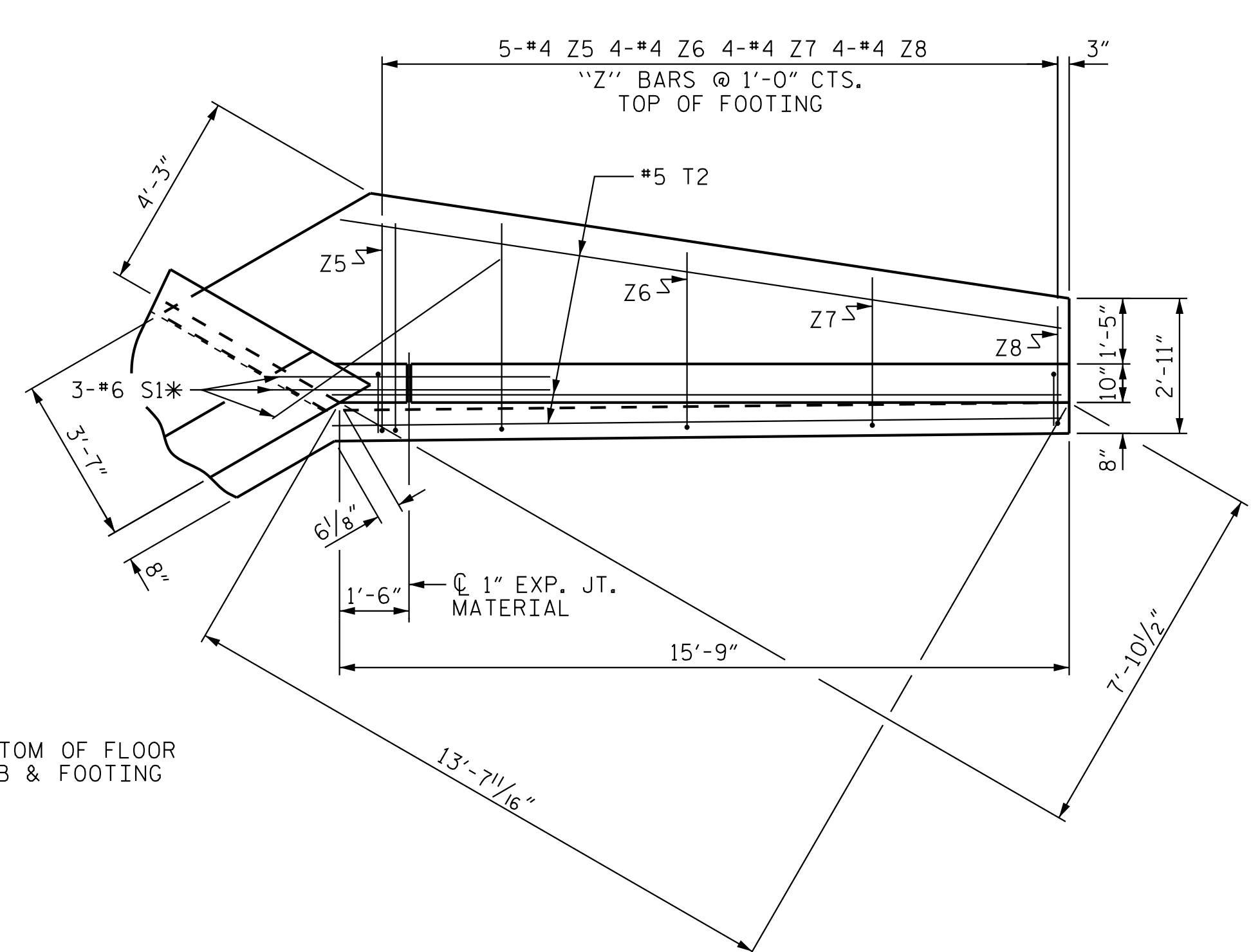
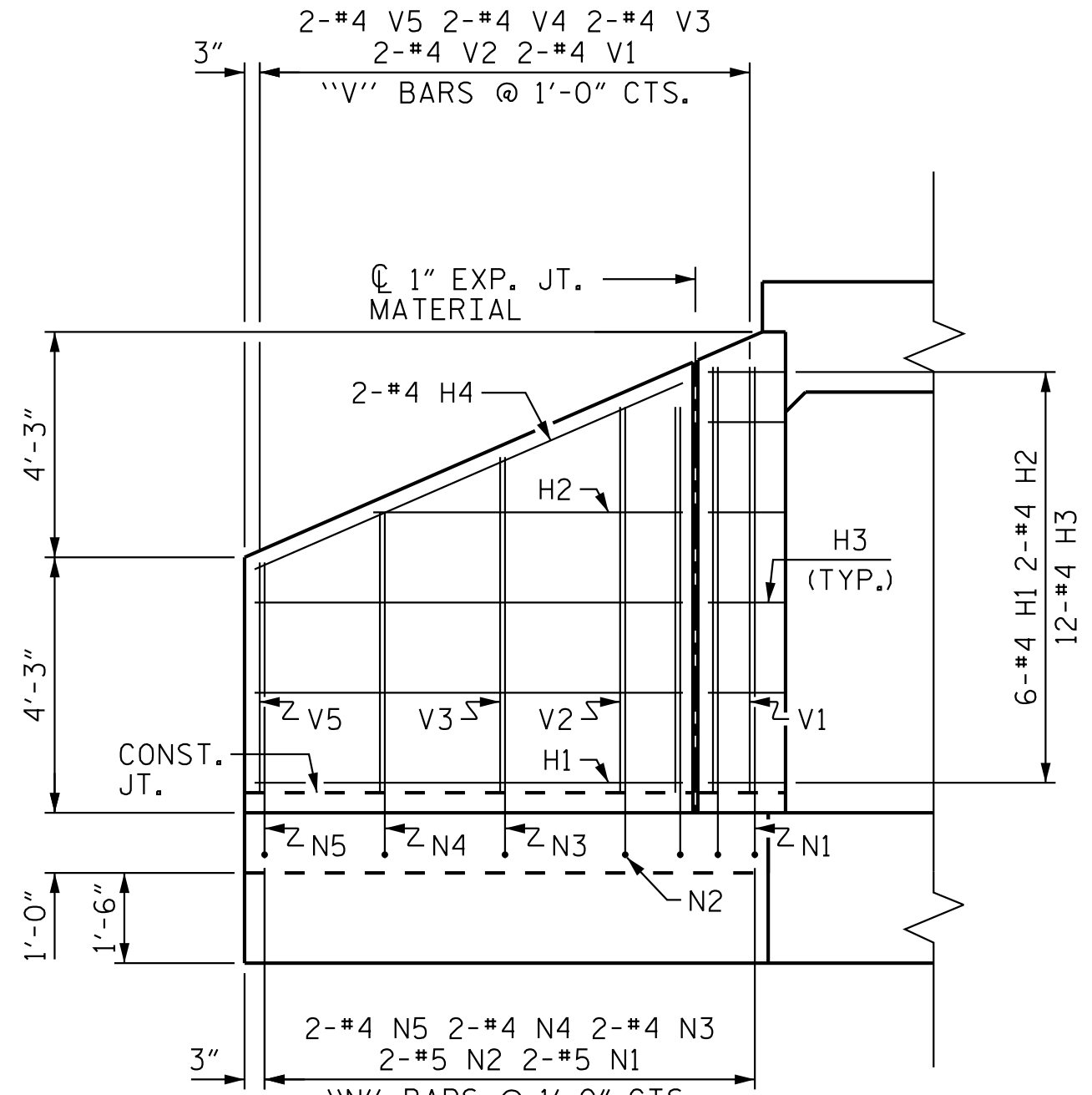


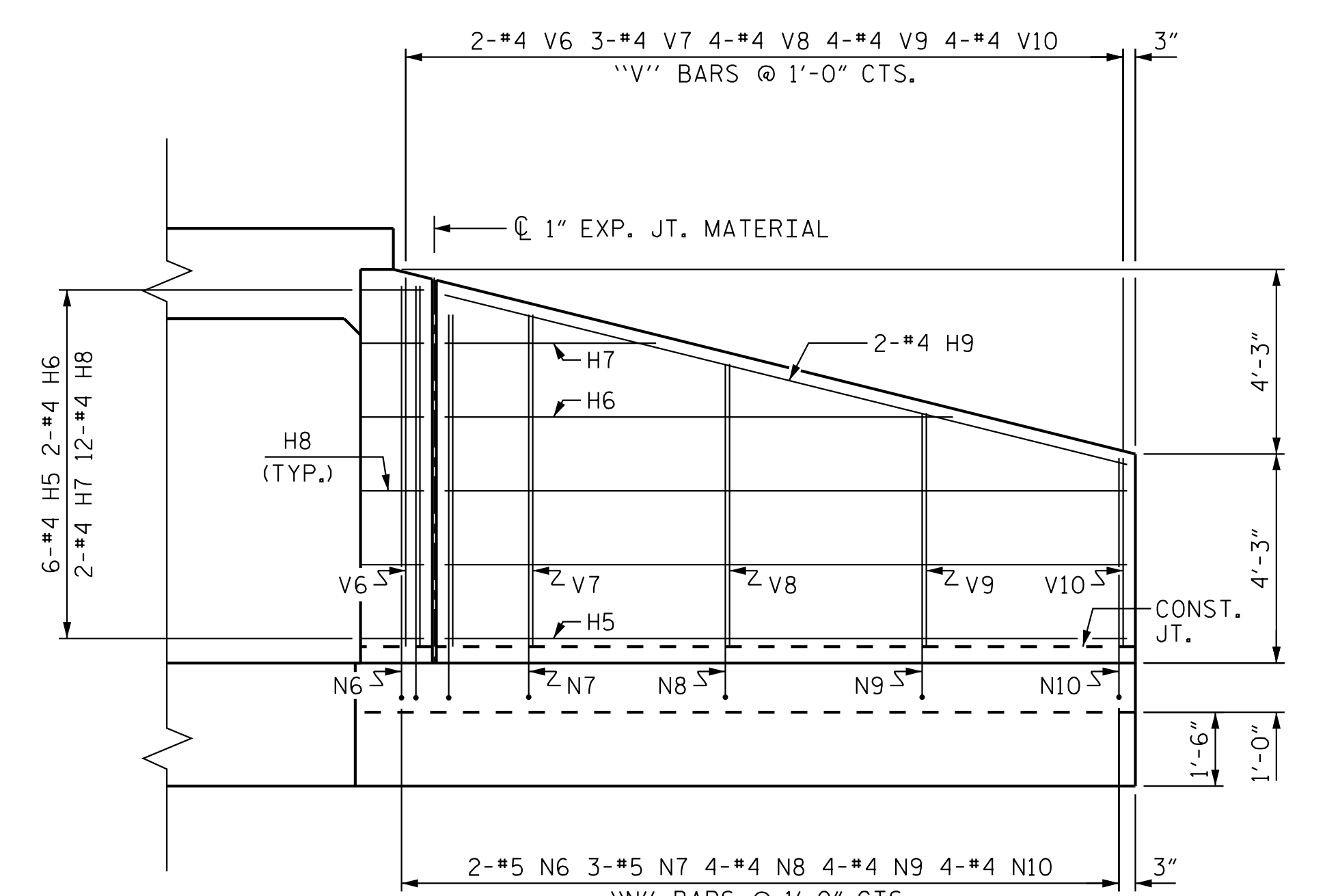
PLAN W2



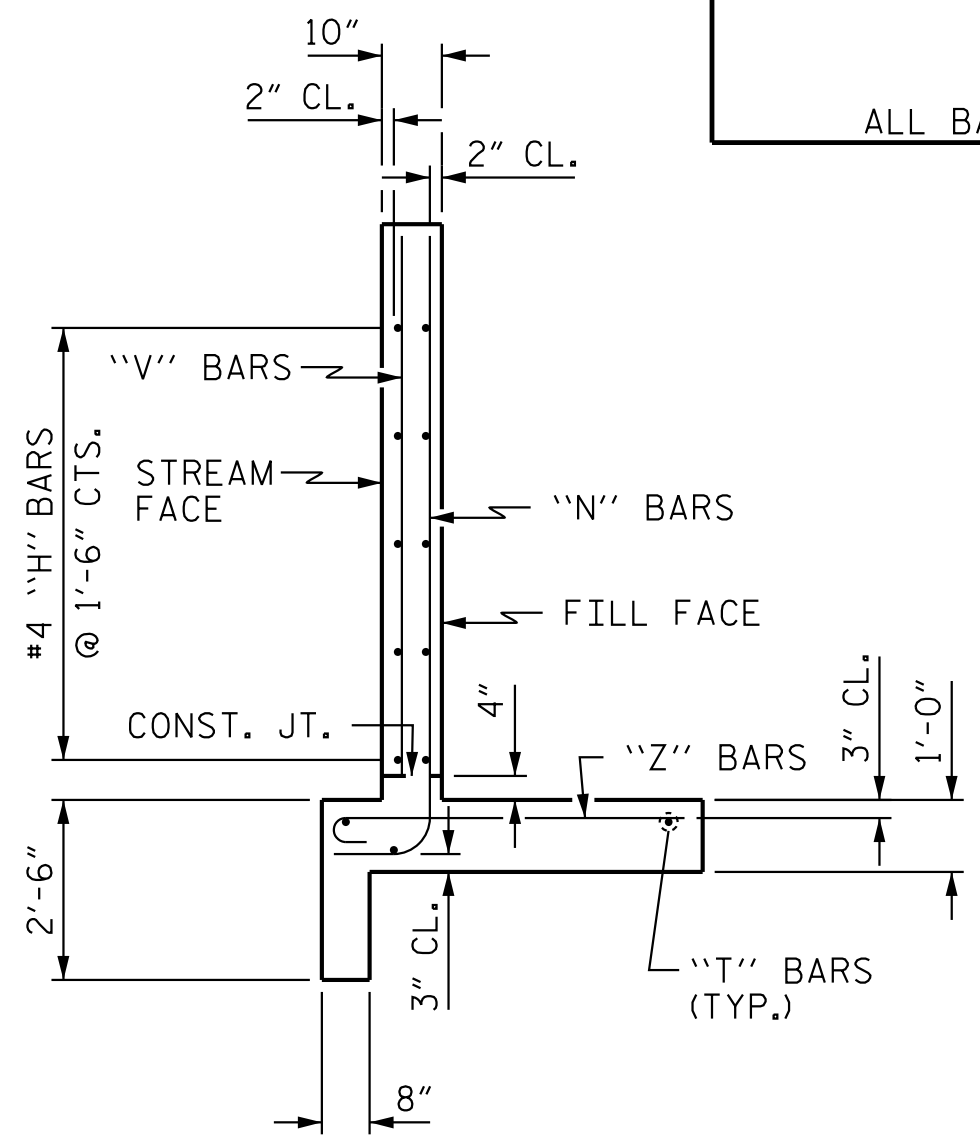
PLAN W1



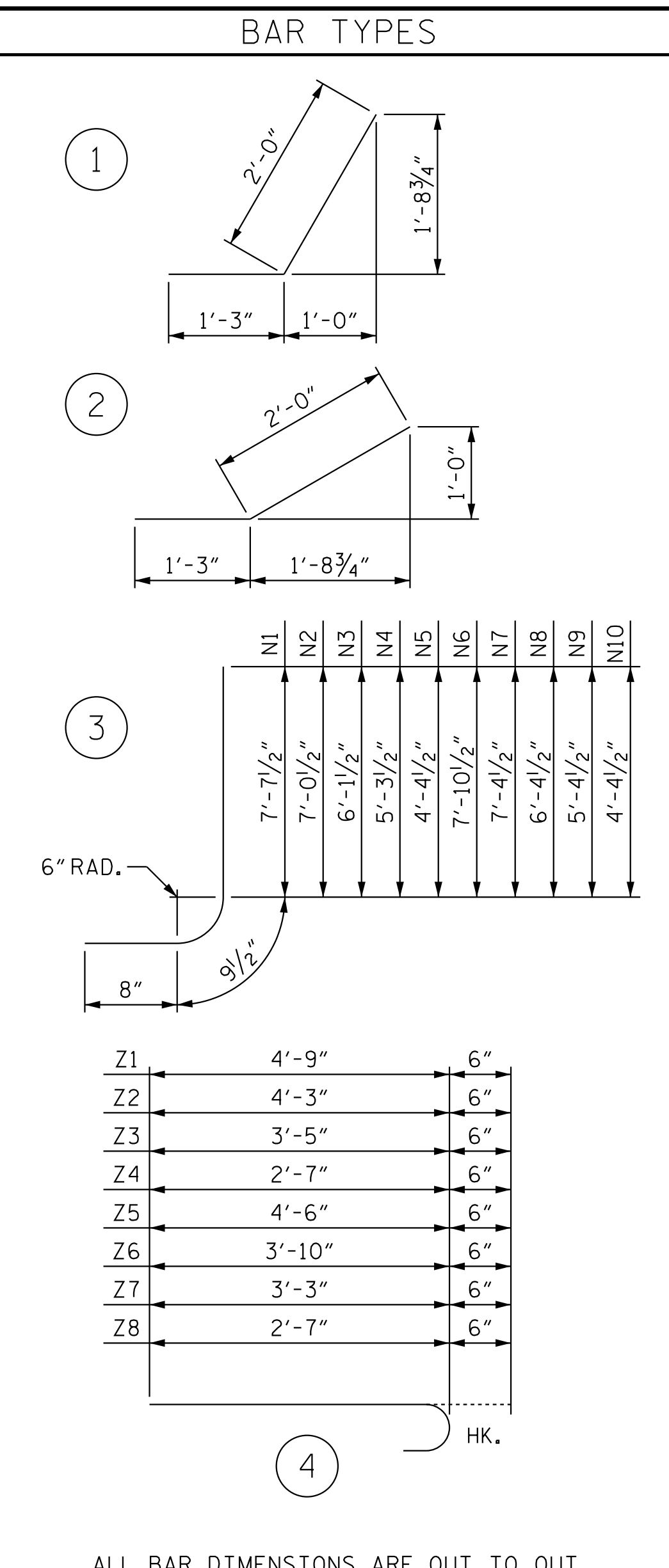
ELEVATION W2



ELEVATION W1



TYPICAL WING SECTION



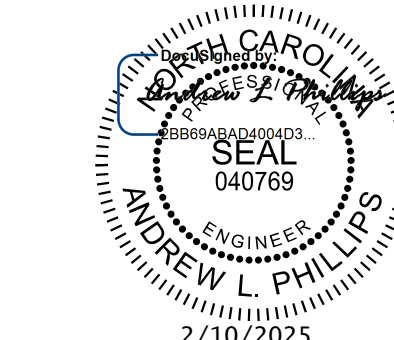
Z1	4'-9"	6"
Z2	4'-3"	6"
Z3	3'-5"	6"
Z4	2'-7"	6"
Z5	4'-6"	6"
Z6	3'-10"	6"
Z7	3'-3"	6"
Z8	2'-7"	6"

BILL OF MATERIAL					
BAR	NO.	SIZE	TYPE	LENGTH	WEIGHT
H1	12	#4	STR	7'-1"	57
H2	4	#4	STR	5'-2"	14
H3	24	#4	1	3'-3"	52
H4	4	#4	STR	7'-9"	21
H5	12	#4	STR	13'-10"	111
H6	4	#4	STR	10'-4"	28
H7	4	#4	STR	4'-3"	11
H8	24	#4	2	3'-3"	52
H9	4	#4	STR	14'-3"	38
N1	4	#5	3	9'-1"	38
N2	4	#5	3	8'-6"	35
N3	4	#4	3	7'-7"	20
N4	4	#4	3	6'-9"	18
N5	4	#4	3	5'-10"	16
N6	4	#5	3	9'-4"	39
N7	6	#5	3	8'-10"	55
N8	8	#4	3	7'-10"	42
N9	8	#4	3	6'-10"	37
N10	8	#4	3	5'-10"	31
S1	12	#6	STR	6'-0"	108
T1	6	#5	STR	9'-0"	56
T2	6	#5	STR	15'-9"	99
V1	4	#4	STR	7'-1"	19
V2	4	#4	STR	6'-5"	17
V3	4	#4	STR	5'-7"	15
V4	4	#4	STR	4'-8"	12
V5	4	#4	STR	3'-10"	10
V6	4	#4	STR	7'-4"	20
V7	6	#4	STR	6'-9"	27
V8	8	#4	STR	5'-9"	31
V9	8	#4	STR	4'-9"	25
V10	8	#4	STR	3'-10"	20
Z1	4	#4	4	5'-3"	14
Z2	4	#4	4	4'-9"	13
Z3	6	#4	4	3'-11"	16
Z4	6	#4	4	3'-1"	12
Z5	10	#4	4	5'-0"	33
Z6	8	#4	4	4'-4"	23
Z7	8	#4	4	3'-9"	20
Z8	8	#4	4	3'-1"	16
REINFORCING STEEL FOR 4 WINGS					1321 LBS
CLASS A CONCRETE					
4 WINGS					19.8 CY
2 HEADWALLS					1.4 CY
2 END CURTAIN WALLS					1.5 CY
TOTAL					22.7 CY

ALL BAR DIMENSIONS ARE OUT TO OUT.

PROJECT NO. R-5930B  
CHATHAM COUNTY  
 STATION: 108+98.22 -L-

SHEET 6 OF 6



**Kimley»Horn**  
 421 Fayetteville Street, Suite 600  
 Raleigh, NC 27601-1772  
 Phone (919) 677-2000 NC LICENSE # F-0102

STATE OF NORTH CAROLINA  
 DEPARTMENT OF TRANSPORTATION  
 RALEIGH  
**STANDARD WINGS**  
 FOR  
**CONCRETE BOX CULVERT**  
 H = 7'-0" SLOPE = 2:1  
 60° SKEW

REVISIONS						SHEET NO.
NO.	BY:	DATE:	NO.	BY:	DATE:	C3-6
1			3			TOTAL SHEETS
2			4			6

**DOCUMENT NOT CONSIDERED FINAL**  
**UNLESS ALL SIGNATURES COMPLETED**

This document, together with the concepts and designs presented herein, is an integral part of the project. It is to be used only in accordance with the written authorization and approval of Kimley-Horn and Associates, Inc. without liability to Kimley-Horn and Associates, Inc.

10/23/2024 K:\BIDI\_Structures\Chatham\NC\101036532 - R-5930 No-th CPW\Con\Drawn\5930B-412.DWG\_R5930B\_SML\_CU06.dgn

ASSEMBLED BY : D. D. LOWERY	DATE : 10/2023
CHECKED BY : A. L. PHILLIPS	DATE : 03/2024
DRAWN BY : CCJ 11/99	REV. 6/19 MAA/THC
CHECKED BY : RWW 03/00	