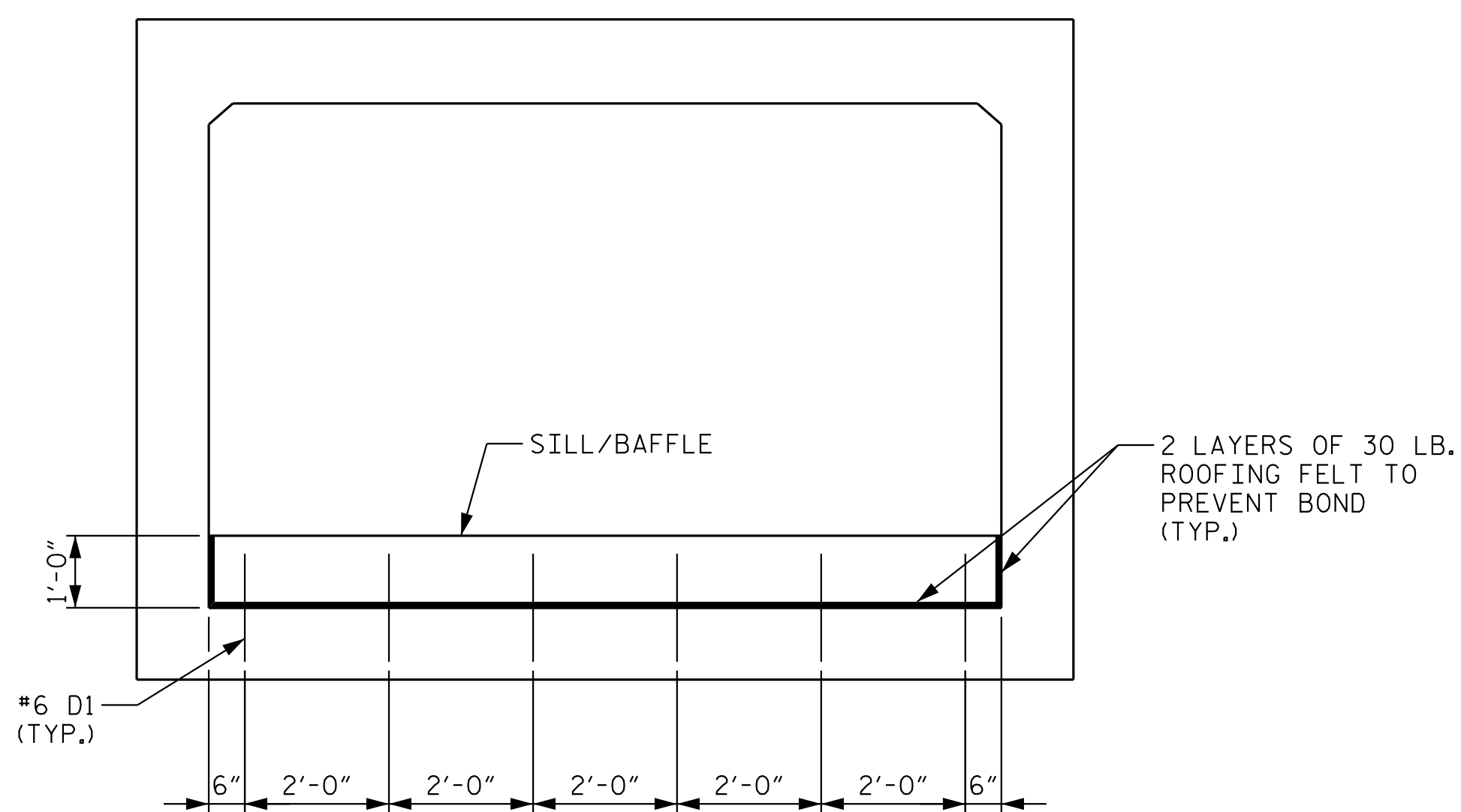
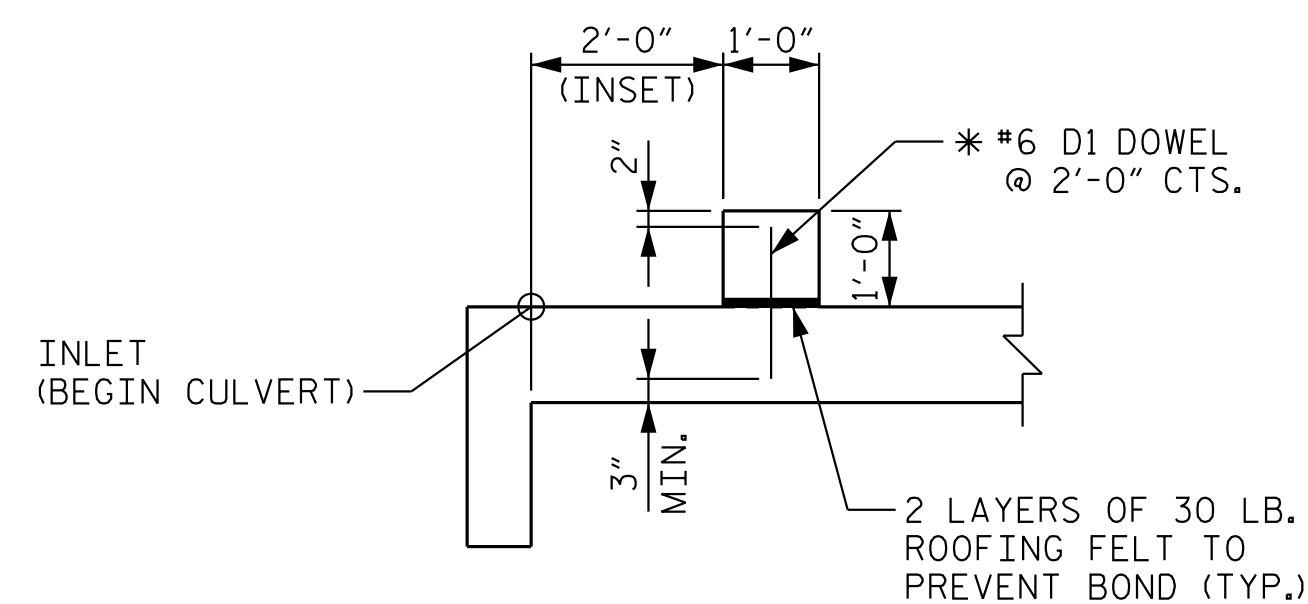


PLAN VIEW SHOWING SILL/BAFFLE LOCATIONS



NOTE:
WING WALLS NOT
SHOWN FOR CLARITY.

SILL/BAFFLE DETAIL - ELEVATION
(LOOKING DOWNSTREAM)



SECTION THRU SILL
(INLET END SHOWN, OUTLET END SIMILAR)

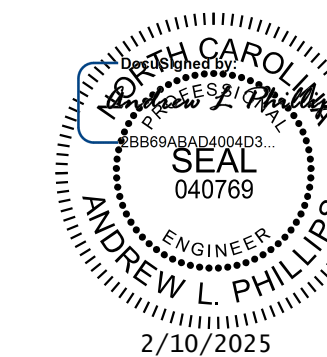
* DOWELS MAY BE PUSHED INTO GREEN CONCRETE
AFTER SLAB HAS BEEN FLOAT FINISHED.

NOTE: SILL/BAFFLES ARE TO BE CAST
NORMAL TO CULVERT WALLS.

PROJECT NO. R-5930B
CHATHAM COUNTY
STATION: 108+98.22 -L-

SHEET 5 OF 6

STATE OF NORTH CAROLINA
DEPARTMENT OF TRANSPORTATION
RALEIGH
SINGLE 11 FT. X 7 FT.
CONCRETE BOX CULVERT
60° SKEW



Kimley»Horn
421 Fayetteville Street, Suite 600
Raleigh, NC 27601-1772
Phone (919) 677-2000 NC LICENSE # F-0102

DRAWN BY: D. D. LOWERY DATE: 10/2023
CHECKED BY: C. T. POOLE DATE: 01/2024
DESIGN ENGINEER OF RECORD: A. L. PHILLIPS DATE: 03/2024

**DOCUMENT NOT CONSIDERED FINAL
UNLESS ALL SIGNATURES COMPLETED**

REVISIONS						SHEET NO.
NO.	BY:	DATE:	NO.	BY:	DATE:	C3-5
1			3			TOTAL SHEETS
2			4			6

CULVERT 42C003

10/23/2024 K:\BIDI_Structures\Culvert\NC\01036532 - R-5930 Nor th CPW Con Dgn\A.R-5930B-412.DWG_R5930B_SMU_CU05.dgn