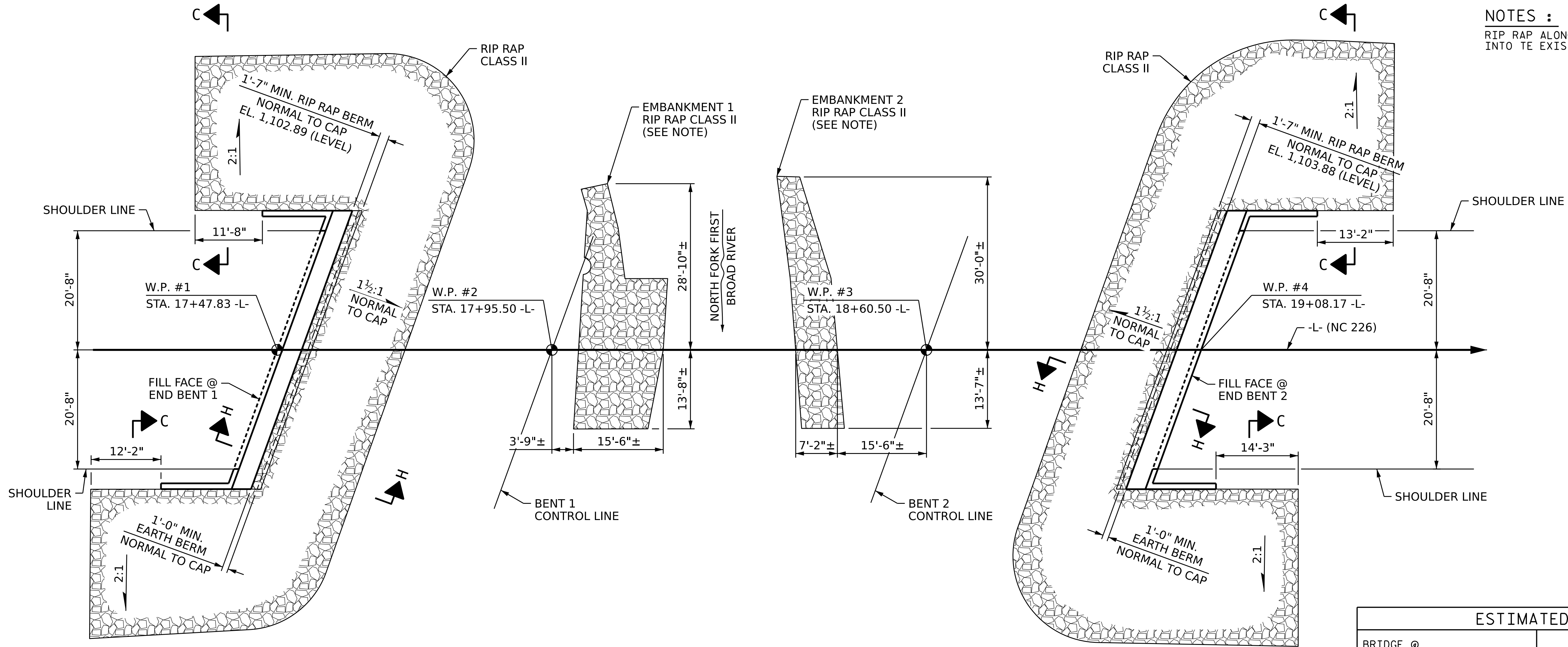


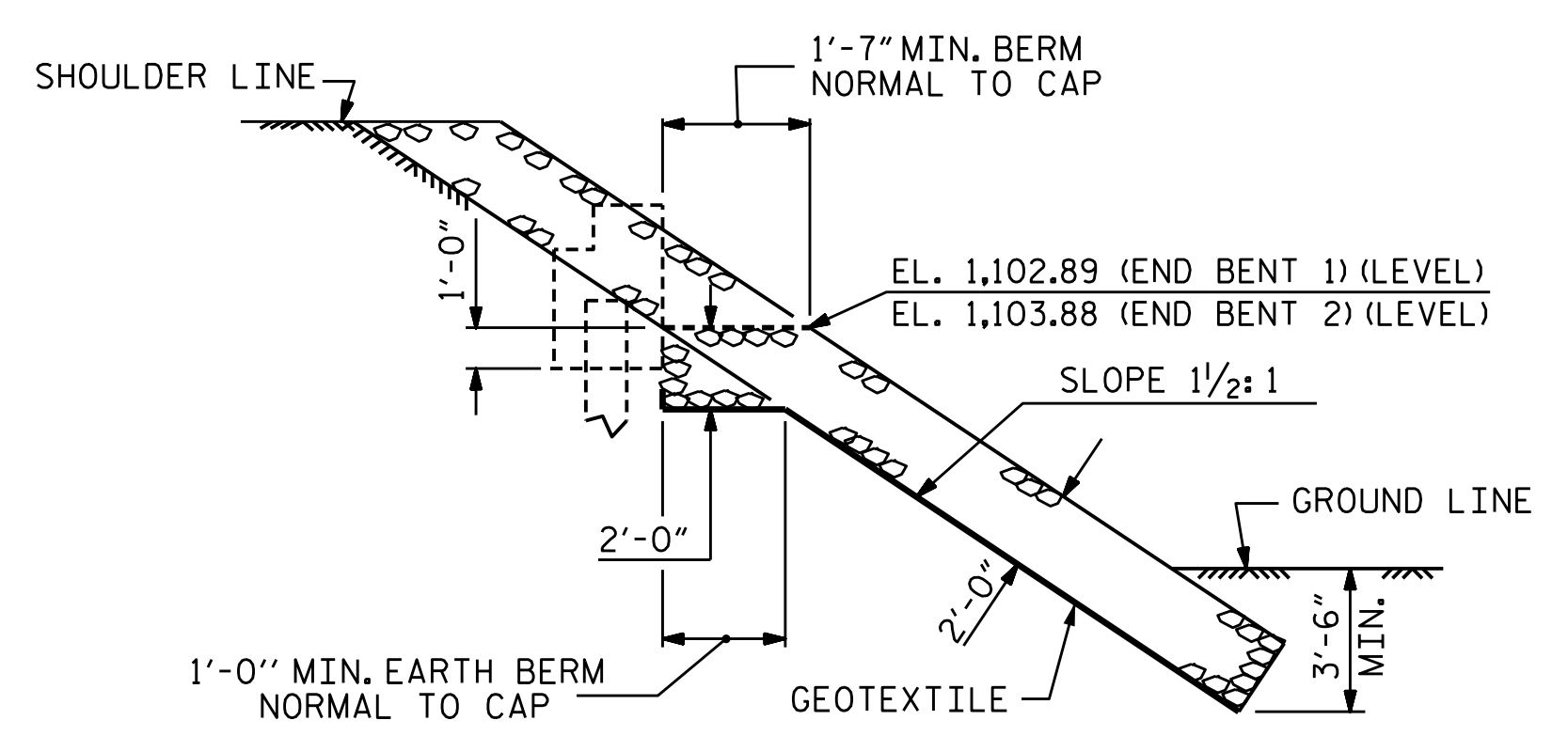
**NOTES :**  
 RIP RAP ALONG EMBANKMENTS SHALL NOT BE KEYED INTO THE EXISTING SLOPE.



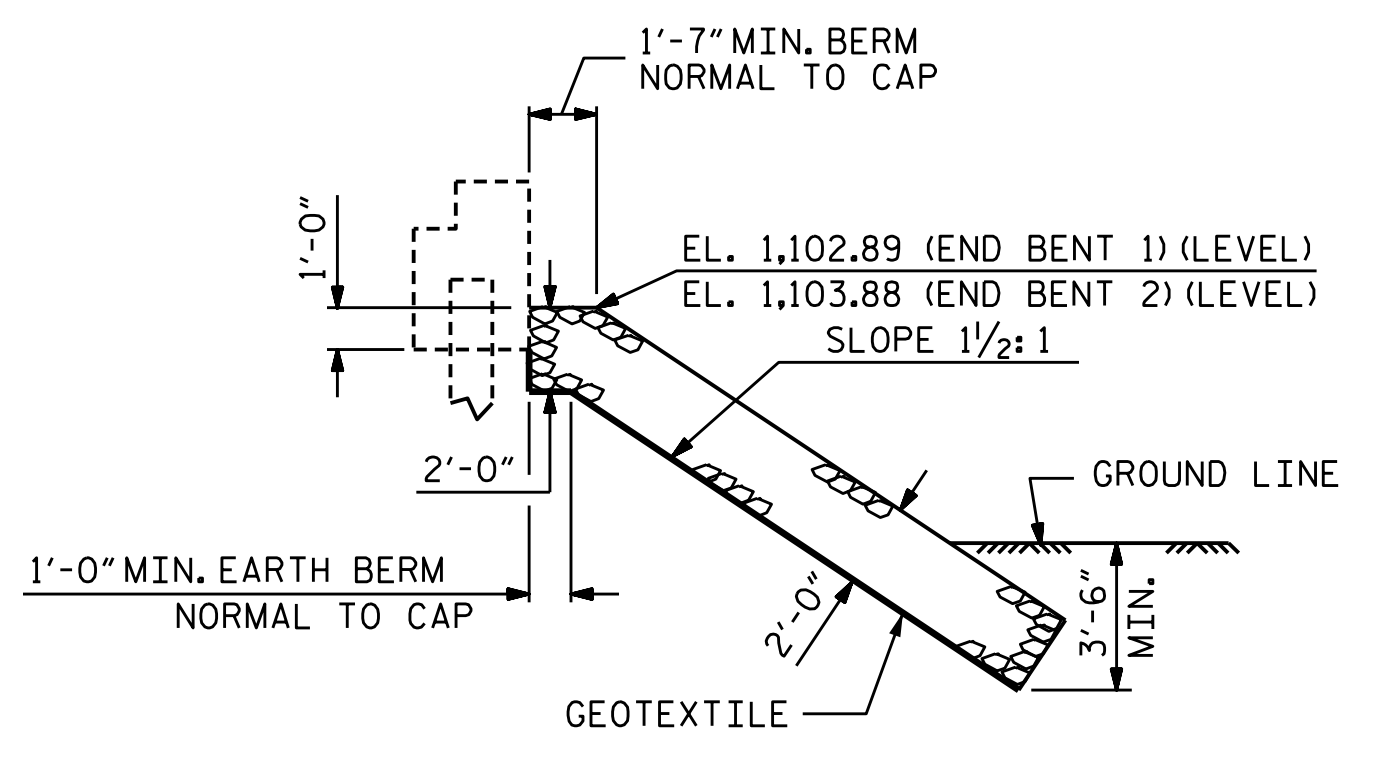
**PLAN OF RIP RAP**

ESTIMATED QUANTITIES		
BRIDGE @ STA. 18+28.00 -L-	RIP RAP CLASS II (2'-0" THICK)	GEOTEXTILE FOR DRAINAGE
	TONS	SQUARE YARDS
END BENT 1	* 529	* 588
END BENT 2	† 518	† 576

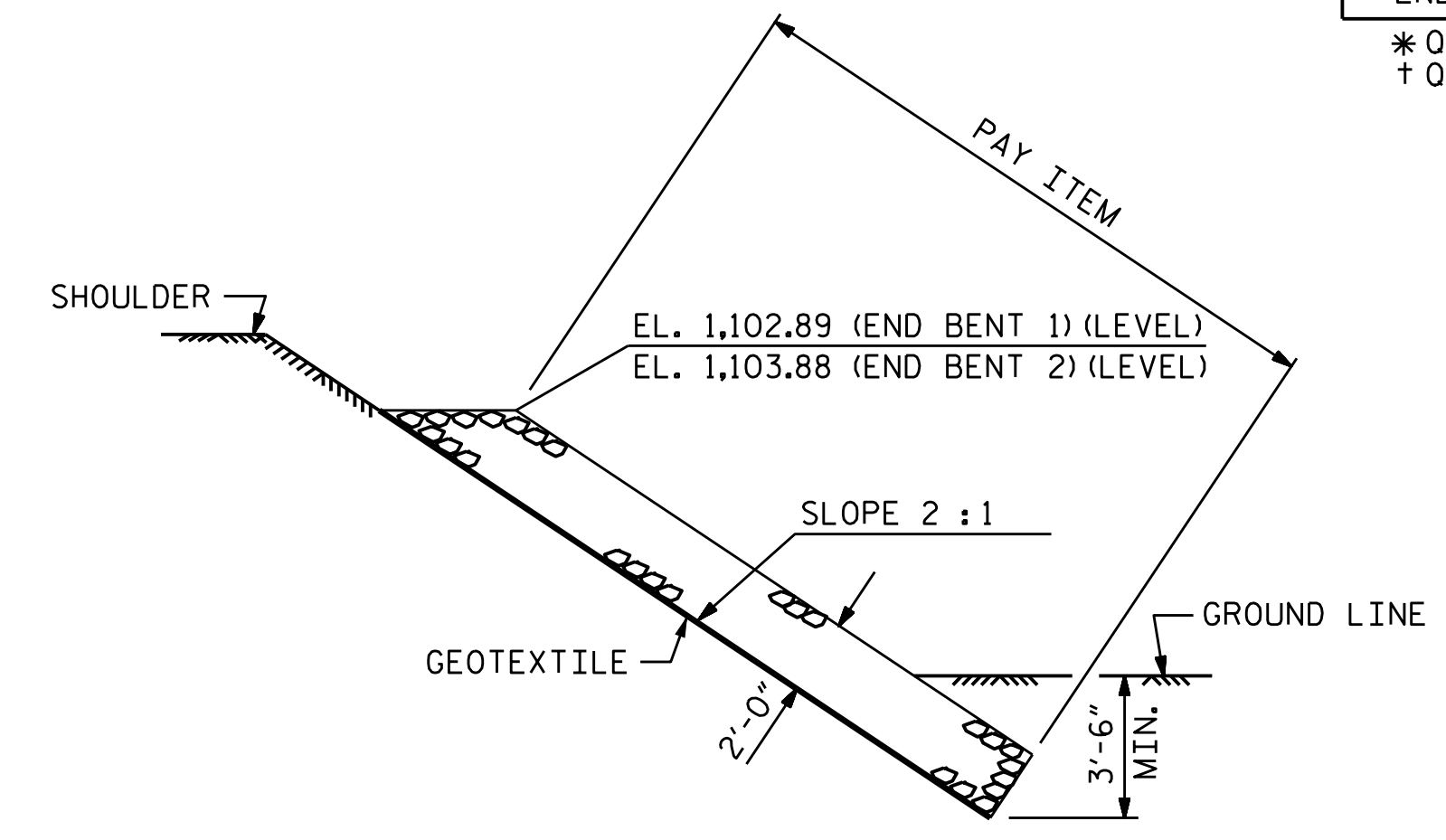
\* QUANTITIES INCLUDE EMBANKMENT 1 RIP RAP  
 † QUANTITIES INCLUDE EMBANKMENT 2 RIP RAP



**SECTION H-H**



**SECTION C-C**



**SECTION C-C**

PROJECT NO. **BR-0100**  
**RUTHERFORD** COUNTY  
 STATION: **18+28.00 -L-**

STATE OF NORTH CAROLINA  
 DEPARTMENT OF TRANSPORTATION  
 RALEIGH  
 STANDARD  
**RIP RAP DETAILS**

DRAWN BY : REK 1/84	REV. 10/1/11	MAA/GM
CHECKED BY : RDU 1/84	REV. 12/21/11	MAA/GM
	REV. 12/17	MAA/THC
DESIGNED BY : J. WHEATLEY	DATE : MAY 2024	
DRAWN BY : M. HOBBS	DATE : MAY 2024	
CHECKED BY : E. LAWES	DATE : MAY 2024	
DESIGN ENGINEER OF RECORD : E. LAWES	DATE : MAY 2024	

**wsp**  
 WSP USA Inc.  
 434 FAYETTEVILLE STREET  
 SUITE 1500  
 RALEIGH, NC 27601  
 TEL: 1.919.836.4040  
 LICENSE NO. F-0165

DOCUMENT NOT CONSIDERED FINAL  
 UNLESS ALL SIGNATURES COMPLETED

STATE OF NORTH CAROLINA  
 PROFESSIONAL ENGINEER  
 SEAL  
 044167  
 ELIZABETH F. LAWES  
 12/18/2024

REVISIONS						SHEET NO. S-28 TOTAL SHEETS 30
NO.	BY:	DATE:	NO.	BY:	DATE:	
1			3			
2			4			