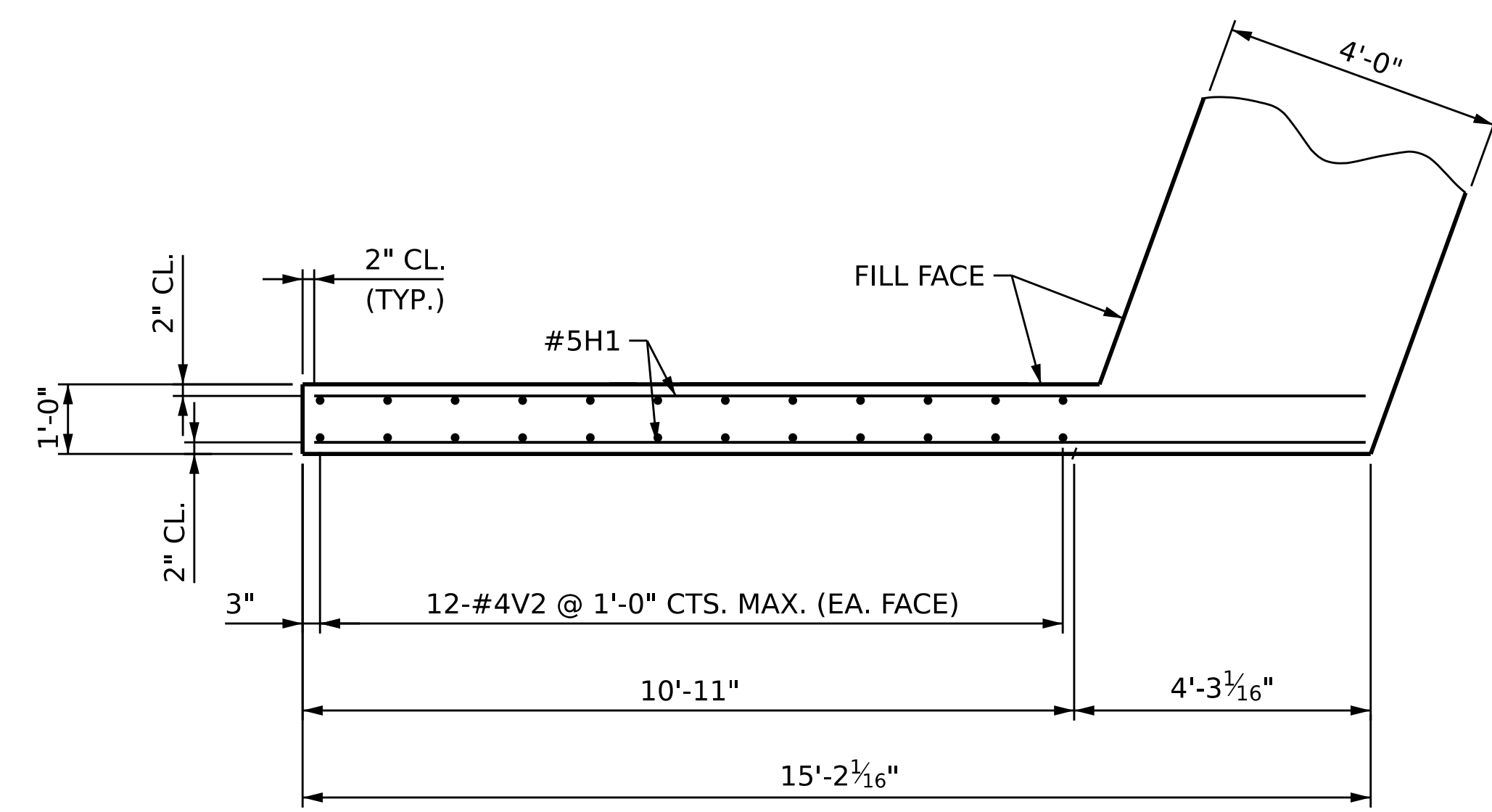
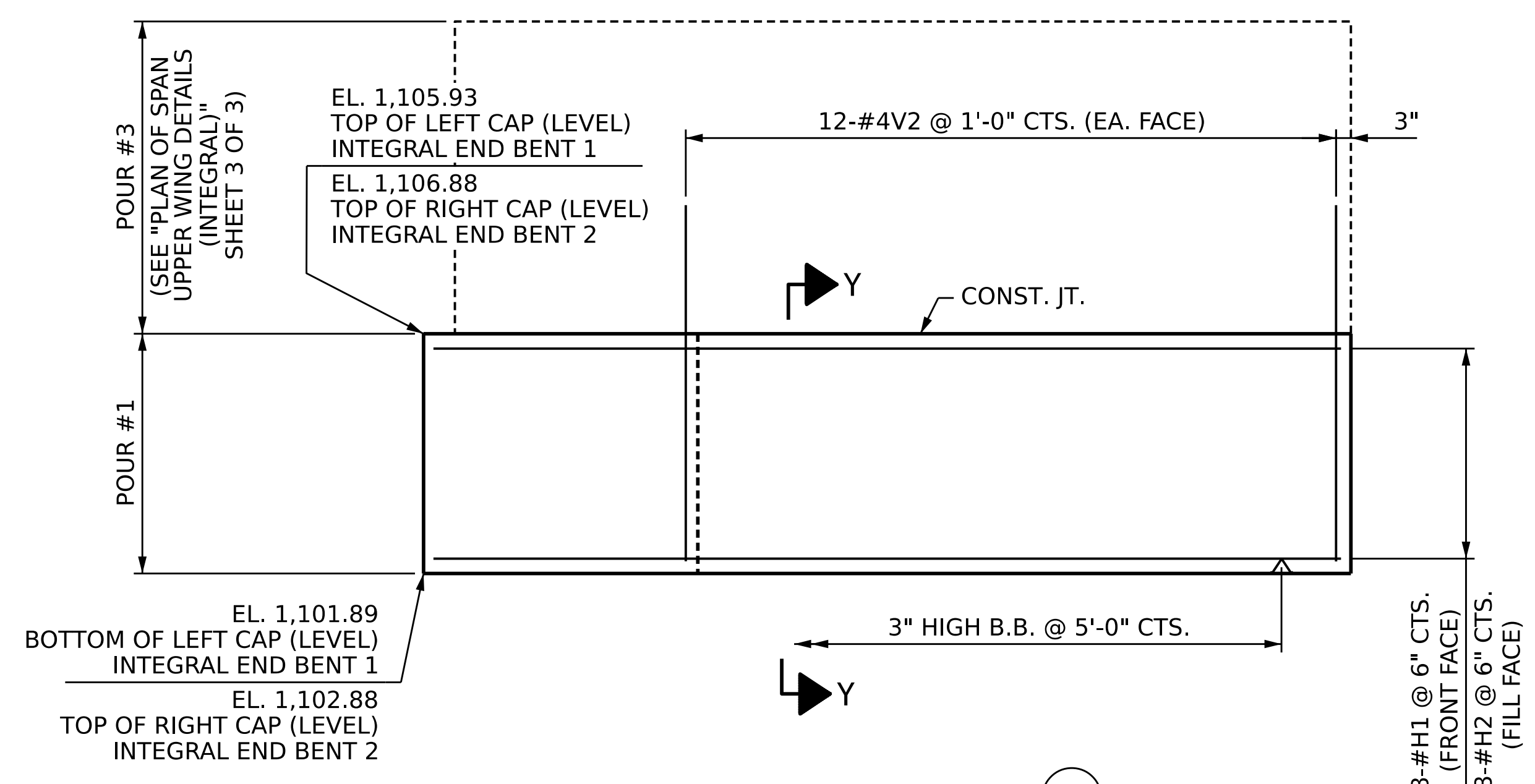


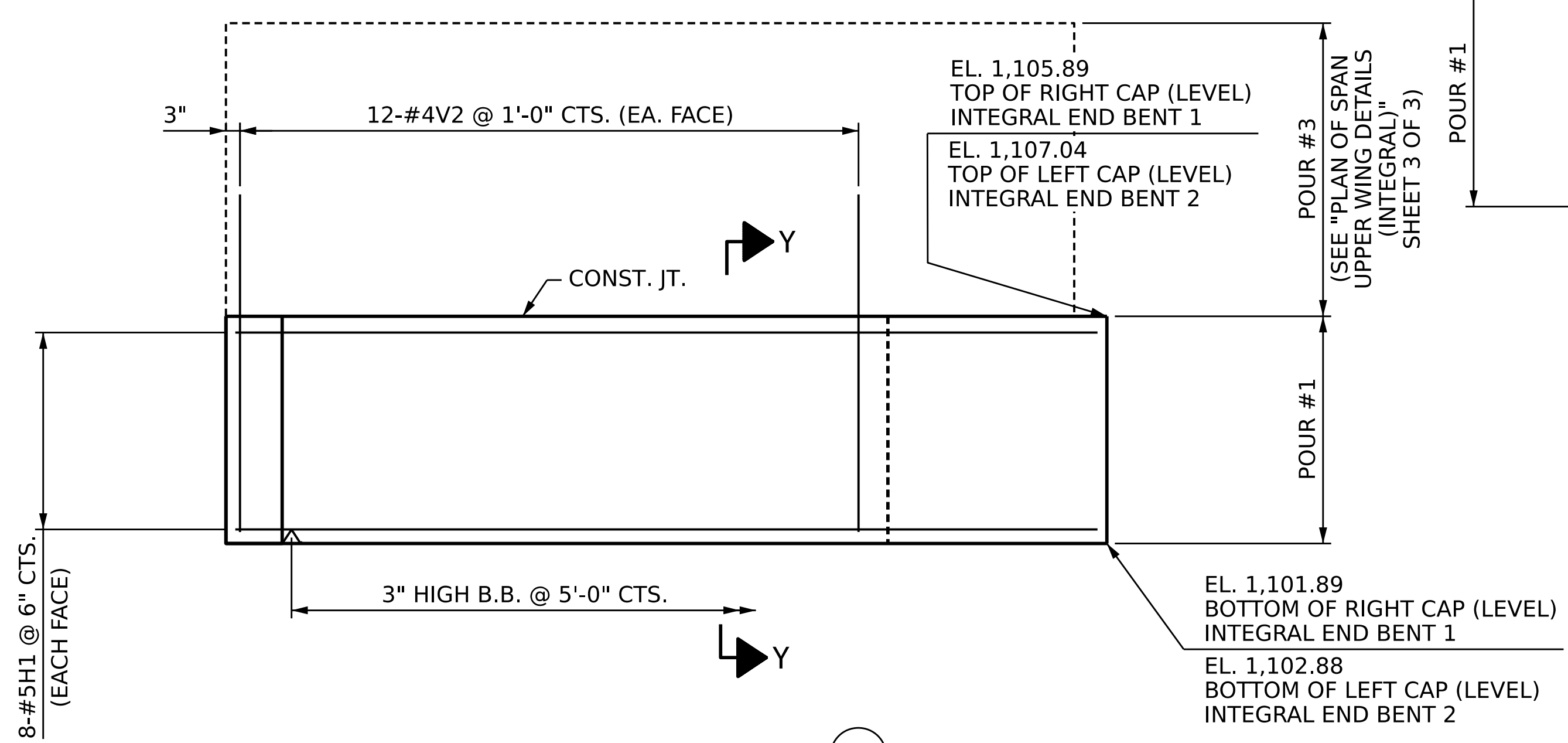
PLAN OF WING (W1)
 INTEGRAL END BENT 1 (LEFT)
 INTEGRAL END BENT 2 (RIGHT)



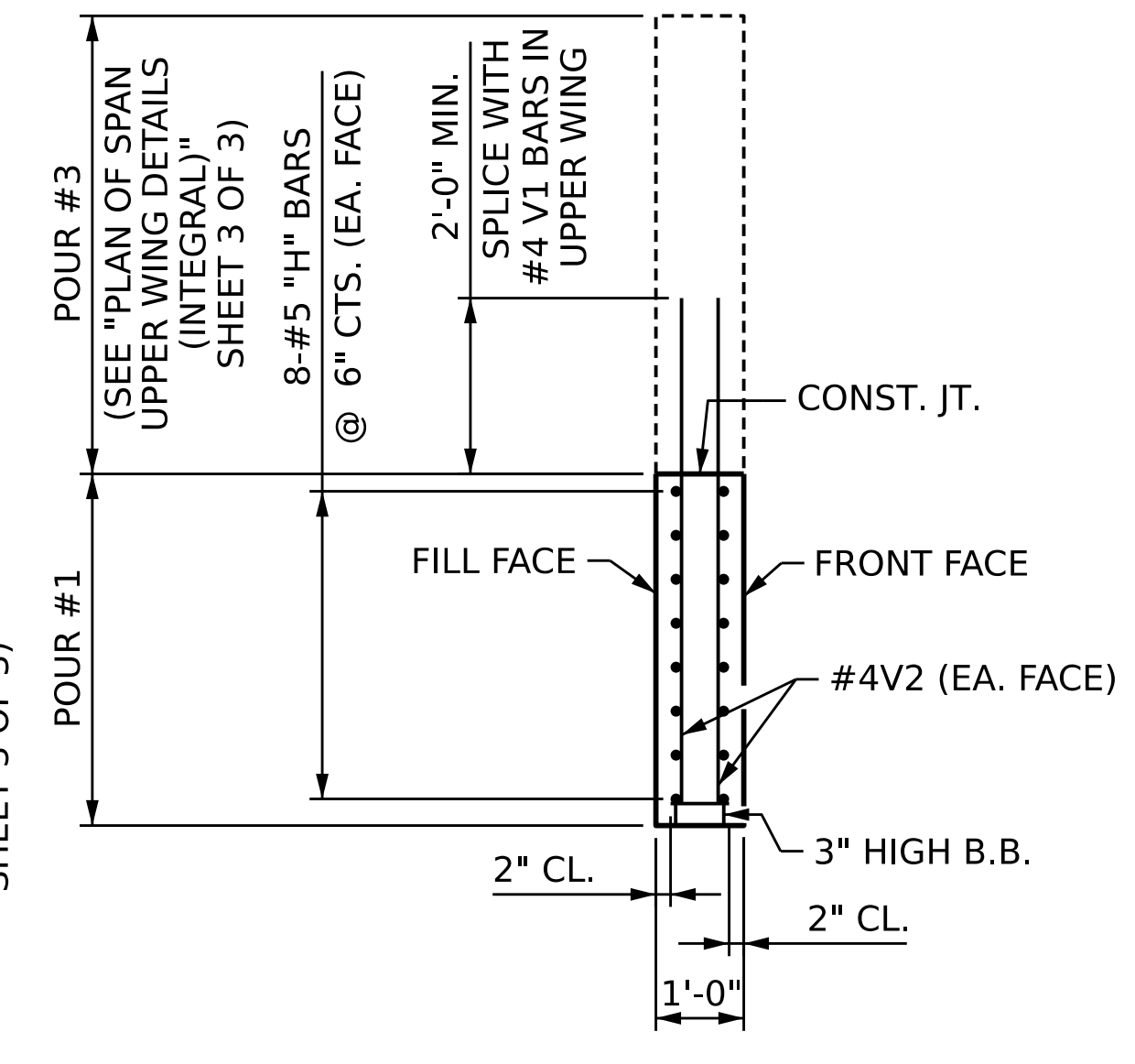
PLAN OF WING (W2)
 INTEGRAL END BENT 1 (RIGHT)
 INTEGRAL END BENT 2 (LEFT)



ELEVATION OF WING (W1)
 INTEGRAL END BENT 1 (LEFT)
 INTEGRAL END BENT 2 (RIGHT)



ELEVATION OF WING (W2)
 INTEGRAL END BENT 1 (RIGHT)
 INTEGRAL END BENT 2 (LEFT)



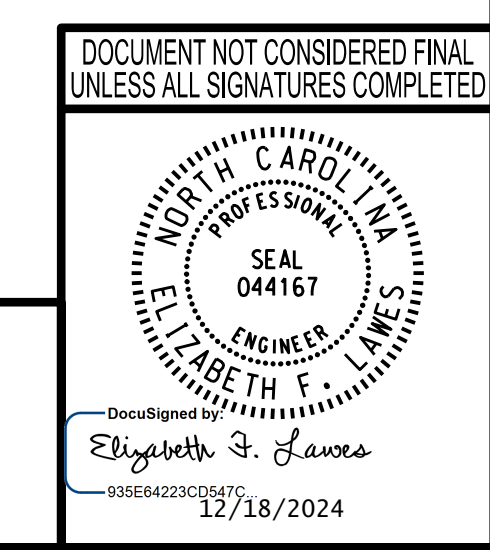
SECTION Y-Y

LOWER WINGS AT INTEGRAL END BENTS 1 & 2

(FOR UPPER WING REINFORCING STEEL AND DETAILS, SEE "PLAN OF SPAN UPPER WING DETAILS (INTEGRAL)" SHEET 3 OF 3)

PROJECT NO. **BR-0100**
RUTHERFORD COUNTY
 STATION: **18+28.00 -L-**
 SHEET 3 OF 4

STATE OF NORTH CAROLINA
 DEPARTMENT OF TRANSPORTATION
 RALEIGH
 SUBSTRUCTURE
**END BENTS 1 & 2
 LOWER WINGS
 (INTEGRAL)**



wsp
 WSP USA Inc.
 434 FAYETTEVILLE STREET
 SUITE 1500
 RALEIGH, NC 27601
 TEL: 1.919.836.4040
 LICENSE NO. F-0165

DESIGNED BY:	J. WHEATLEY	DATE :	MAY 2024
DRAWN BY:	M. HOBBS	DATE :	MAY 2024
CHECKED BY:	E. LAWES	DATE :	MAY 2024
DESIGN ENGINEER OF RECORD:	E. LAWES	DATE :	MAY 2024

REVISIONS				SHEET NO.
NO.	BY:	DATE:	NO.	DATE:
1			3	
2			4	

TOTAL SHEETS: 30