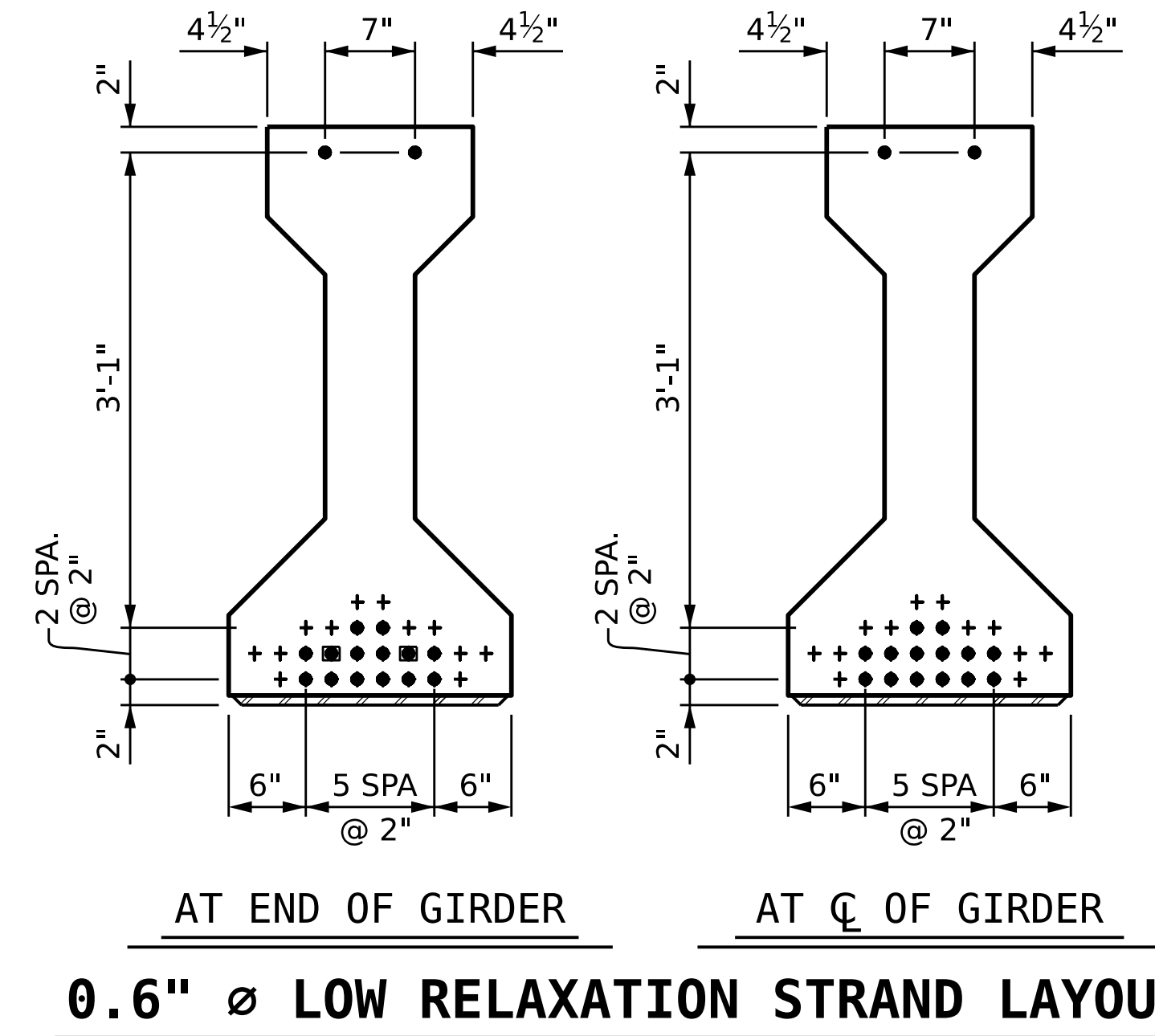


**DEBONDING LEGEND**

- FULLY BONDED STRANDS
- STRANDS DEBONDED FOR 4'-0" FROM END OF GIRDER

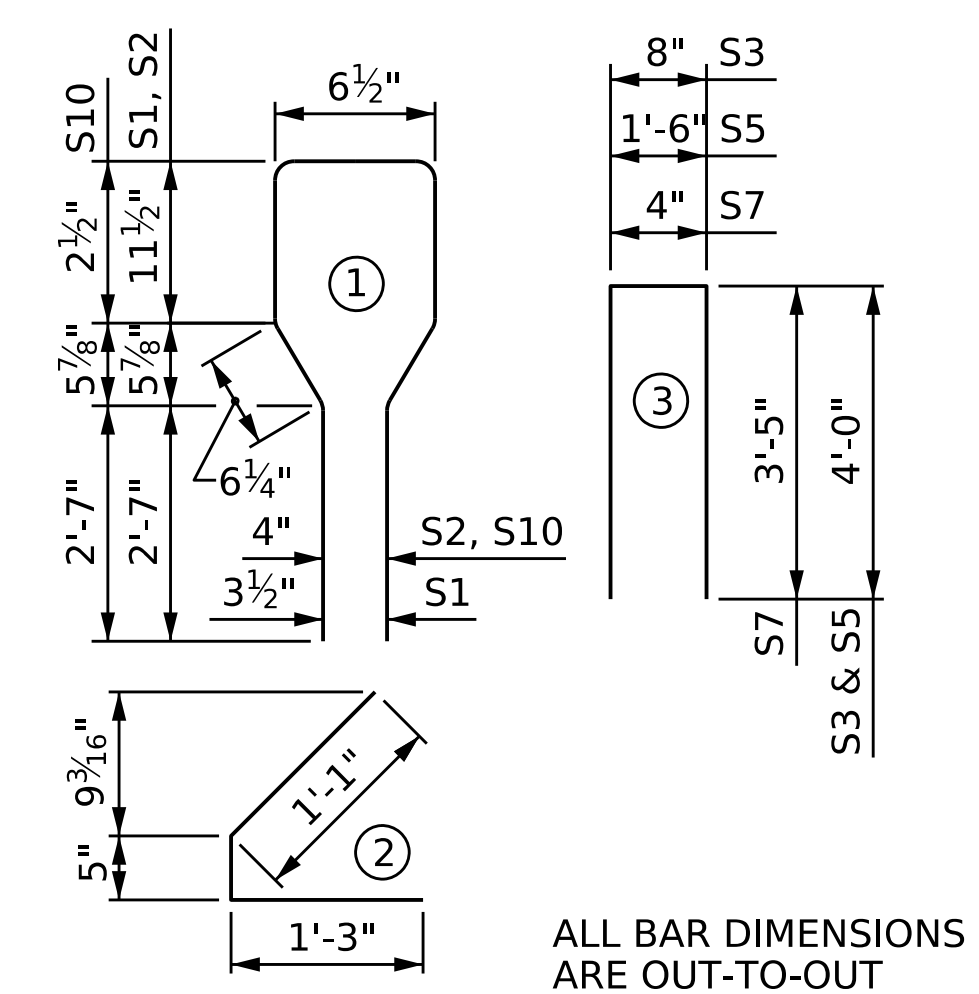


0.6" Ø L.R. GRADE 270 STRANDS		
AREA (SQUARE INCHES)	ULTIMATE STRENGTH (LBS. PER STRAND)	APPLIED PRESTRESS (LBS. PER STRAND)
0.217	58,600	43,950

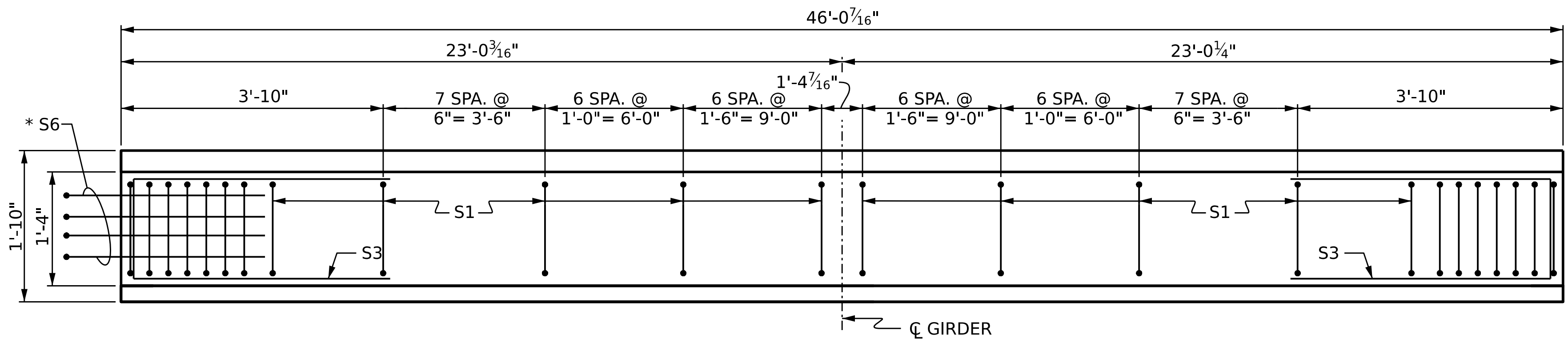
REINFORCING STEEL FOR ONE GIRDER					
BAR	NO.	SIZE	TYPE	LENGTH	WEIGHT
S1	48	#4	1	8'-8"	278
S2	7	#6	1	8'-8"	91
S3	4	#4	3	8'-8"	23
S4	124	#4	2	2'-9"	228
S5	1	#4	3	9'-6"	6
*S6	8	#5	STR	3'-8"	31
S7	2	#5	3	7'-2"	15
S8	5	#4	STR	7'-0"	23
S10	7	#6	1	7'-2"	75
S11	1	#3	STR	1'-0"	1

\* NOTE: S6 BARS SHALL BE BENT BEFORE SHIPMENT. HEAT BENDING SHALL NOT BE ALLOWED.

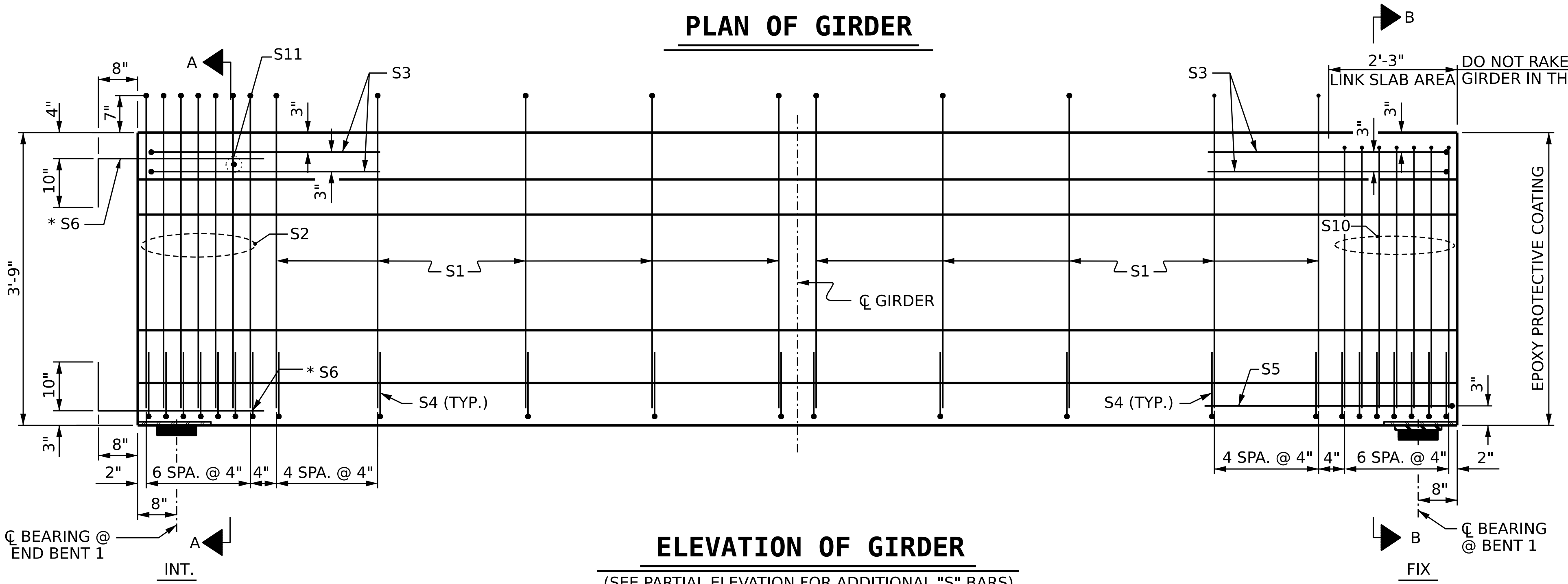
**BAR TYPES**



ALL BAR DIMENSIONS ARE OUT-TO-OUT

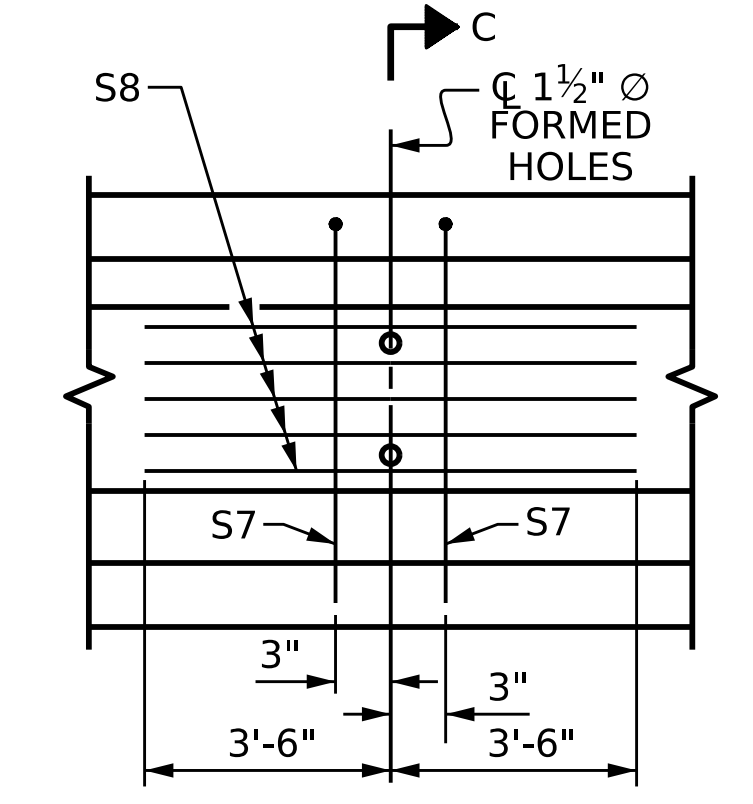


**PLAN OF GIRDER**



**ELEVATION OF GIRDER**

(SEE PARTIAL ELEVATION FOR ADDITIONAL "S" BARS)  
(GIRDERS IN SPAN A SHOWN, GIRDERS IN SPAN C SIMILAR BY ROTATION)



**PARTIAL ELEVATION**

SHOWING INTERMEDIATE DIAPHRAGM REINFORCING STEEL FOR GIRDER NOS. A1 THRU A4 & C1 THRU C4

**QUANTITIES FOR ONE GIRDER**

SPANS A & C	REINFORCING STEEL	5,000 PSI CONCRETE	0.6" Ø L.R. STRANDS
	LB.	C.Y.	No.
GIRDER QTY.	770	6.6	16

**GIRDERS REQUIRED**

NUMBER	LENGTH	TOTAL LENGTH
8	46.04	368.29

PROJECT NO. **BR-0100**  
**RUTHERFORD** COUNTY  
 STATION: **18+28.00 -L-**

SHEET 1 OF 2

STATE OF NORTH CAROLINA  
 DEPARTMENT OF TRANSPORTATION  
 RALEIGH  
 STANDARD  
**AASHTO TYPE III  
 PRESTRESSED CONCRETE  
 GIRDER - LINK SLAB  
 SPANS A & C**

REVISIONS				SHEET NO.
NO.	BY:	DATE:	NO.	DATE:
1			3	
2			4	

S-13  
TOTAL SHEETS 30

DRAWN BY: BNB 09/21  
 CHECKED BY: AAJ 09/21  
 DESIGNED BY: J. WHEATLEY DATE: MAY 2024  
 DRAWN BY: M. HOBBS DATE: MAY 2024  
 CHECKED BY: E. LAWES DATE: MAY 2024  
 DESIGN ENGINEER OF RECORD: E. LAWES DATE: MAY 2024

**wsp**  
 WSP USA Inc.  
 434 FAYETTEVILLE STREET  
 SUITE 1500  
 RALEIGH, NC 27601  
 TEL: 1.919.836.4040  
 LICENSE NO. F-0165

