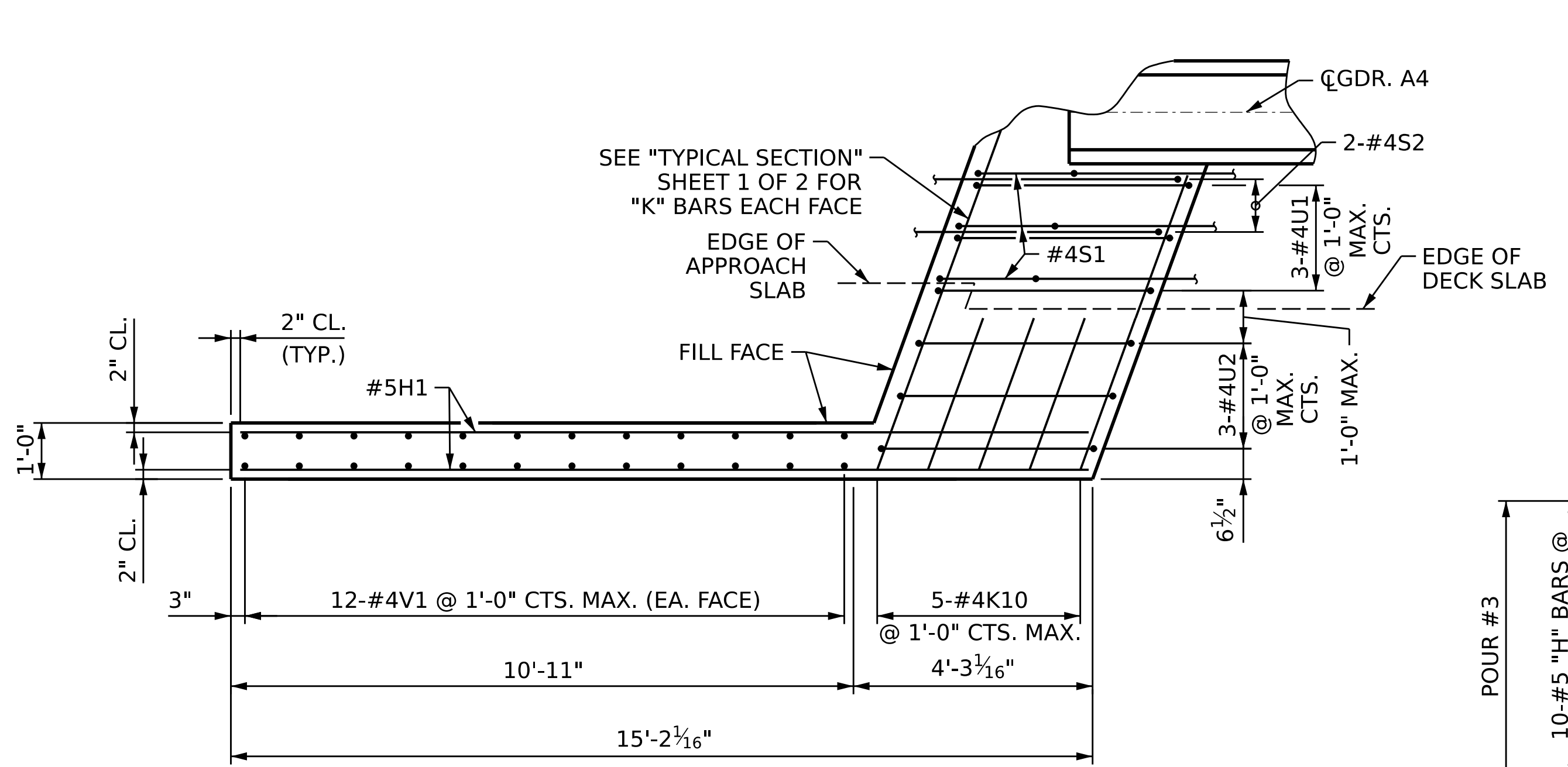
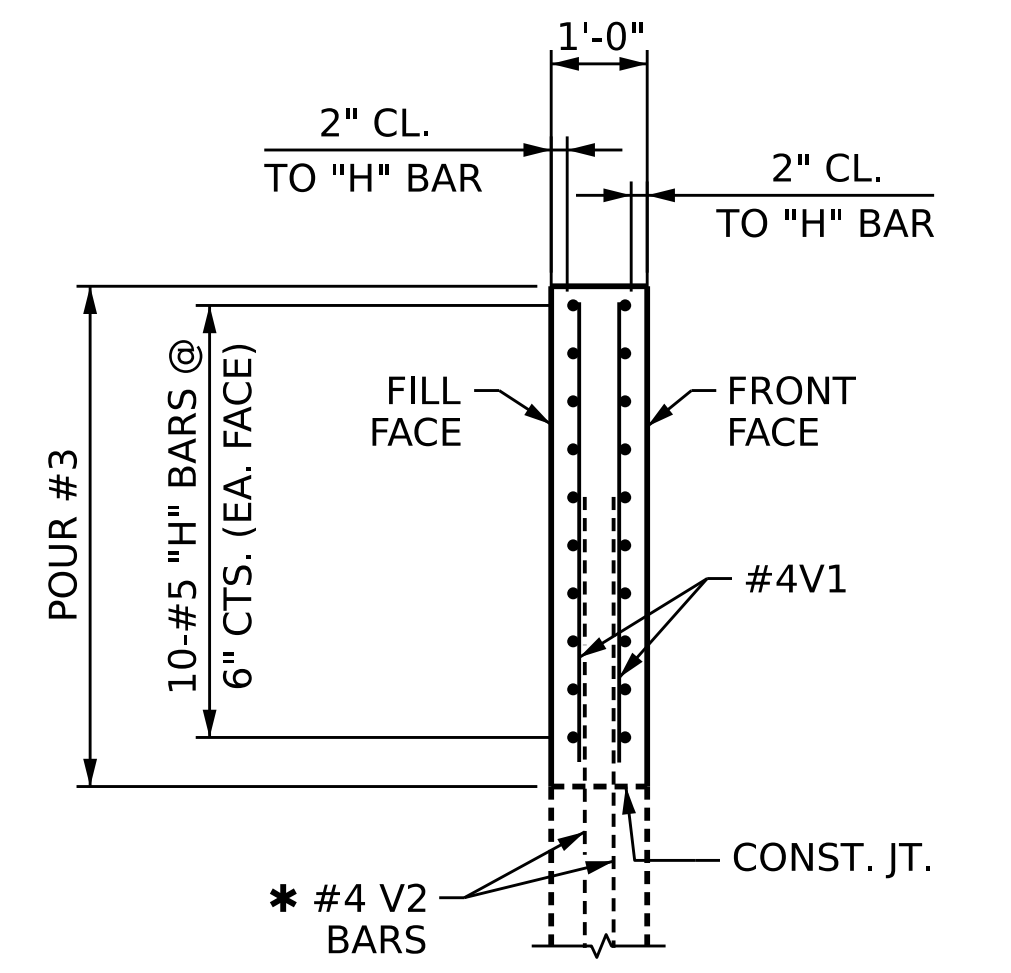


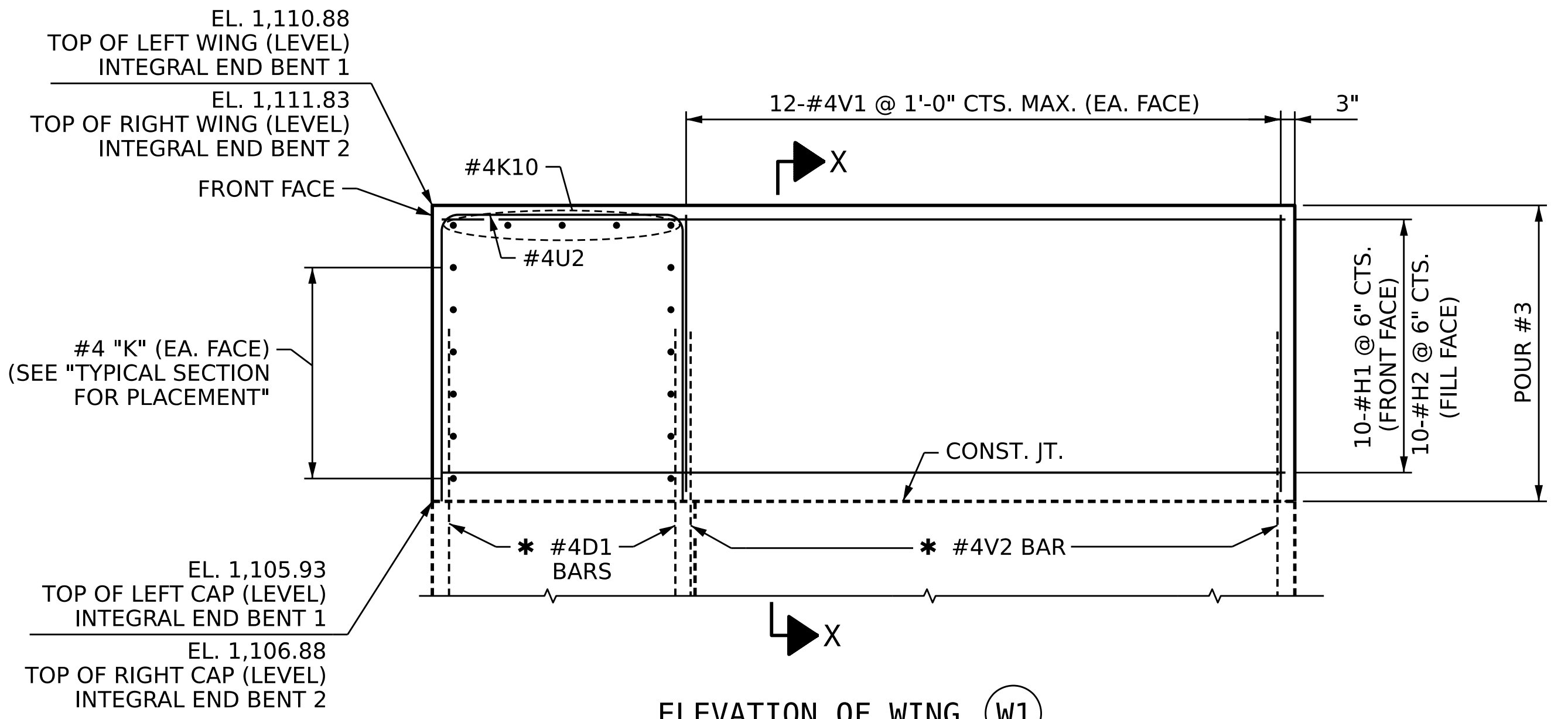
PLAN OF WING (W1)
 INTEGRAL END BENT 1 (LEFT)
 INTEGRAL END BENT 2 (RIGHT)



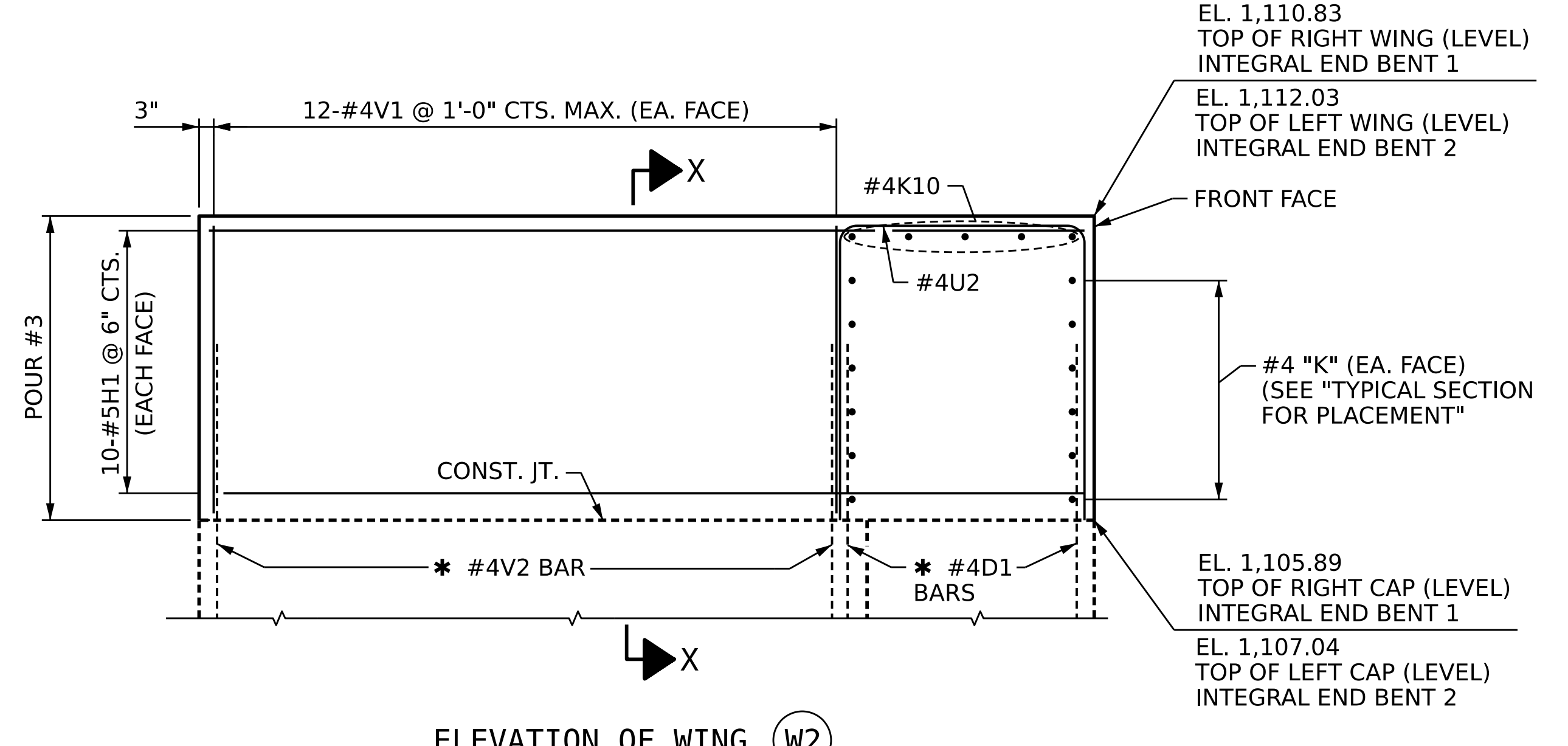
PLAN OF WING (W2)
 INTEGRAL END BENT 1 (RIGHT)
 INTEGRAL END BENT 2 (LEFT)



SECTION X-X



ELEVATION OF WING (W1)
 INTEGRAL END BENT 1 (LEFT)
 INTEGRAL END BENT 2 (RIGHT)



ELEVATION OF WING (W2)
 INTEGRAL END BENT 1 (RIGHT)
 INTEGRAL END BENT 2 (LEFT)

UPPER WINGS AT INTEGRAL END BENTS

* FOR LOWER WING REINFORCING STEEL AND DETAILS, SEE "INTEGRAL END BENT" SHEETS

PROJECT NO. **BR-0100**
RUTHERFORD COUNTY
 STATION: **18+28.00 -L-**
 SHEET 3 OF 3

STATE OF NORTH CAROLINA DEPARTMENT OF TRANSPORTATION RALEIGH					
SUPERSTRUCTURE					
PLAN OF SPAN UPPER WING DETAILS (INTEGRAL)					
REVISIONS					
NO.	BY:	DATE:	NO.	BY:	DATE:
1			3		
2			4		
					SHEET NO. S-11 TOTAL SHEETS 30

DESIGNED BY:	J. WHEATLEY	DATE:	MAY 2024
DRAWN BY:	M. HOBBS	DATE:	MAY 2024
CHECKED BY:	M. WAGNER	DATE:	MAY 2024
DESIGN ENGINEER OF RECORD:	E. LAWES	DATE:	MAY 2024

wsp
 WSP USA Inc.
 434 FAYETTEVILLE STREET
 SUITE 1500
 RALEIGH, NC 27601
 TEL: 1.919.836.4040
 LICENSE NO. F-0165

DOCUMENT NOT CONSIDERED FINAL
 UNLESS ALL SIGNATURES COMPLETED

STATE OF NORTH CAROLINA
 PROFESSIONAL ENGINEER
 SEAL
 044167
 ELIZABETH F. LAWES
 12/18/2024