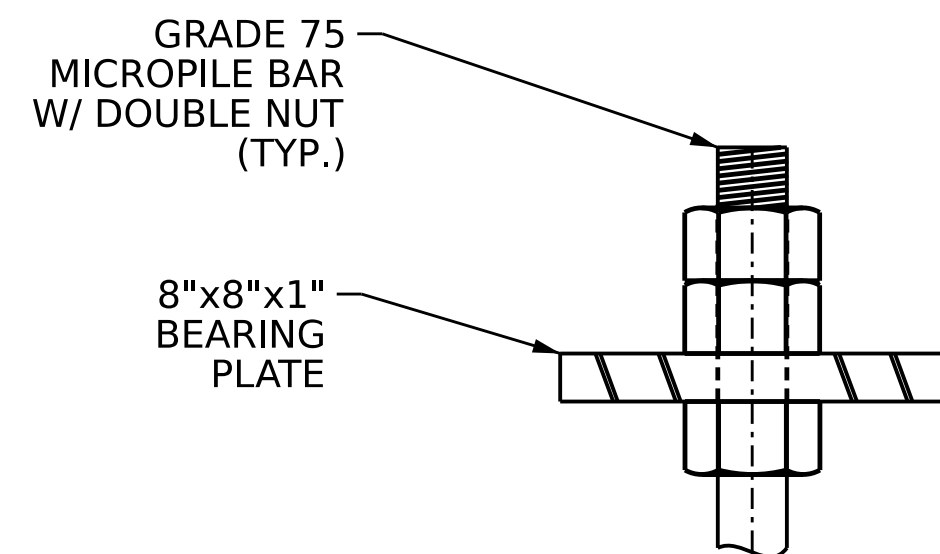
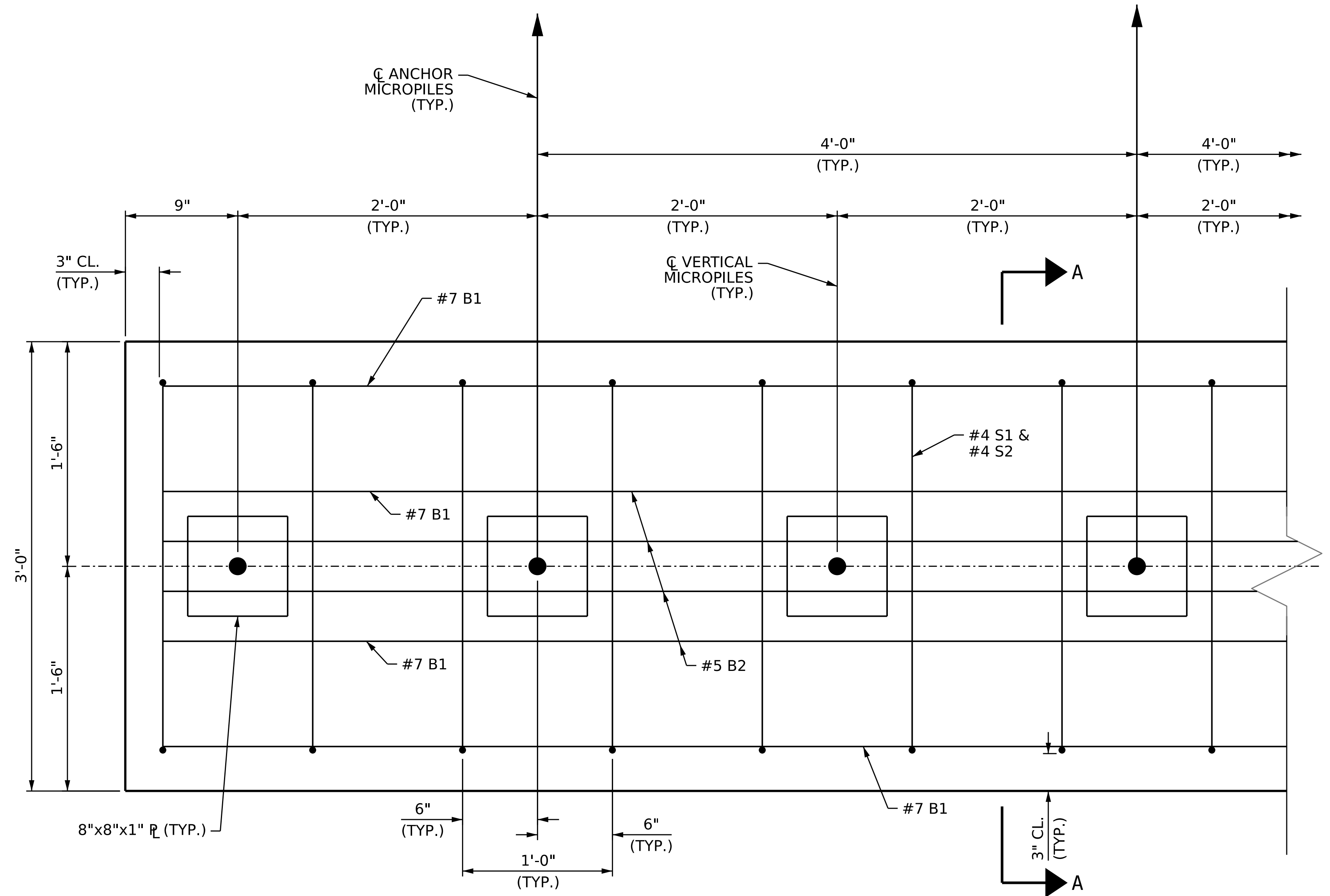


**SECTION A-A**



**MICROPILE DETAIL**

BAR TYPES			
	1		
	2		
ALL BAR DIMENSIONS ARE OUT TO OUT			
BILL OF MATERIAL			
BAR	SIZE	TYPE	LENGTH
B1	#7	STR.	-
B2	#5	STR.	-
B3	#4	STR.	2'-6"
-	-	-	-
S1	#4	1	10'-5"
S2	#4	2	3'-5"
REINFORCING STEEL =		53 LBS./LIN.FT.	
CLASS A CONCRETE =		0.4 CU.YD./LIN.FT.	



**PLAN**

**NOTES**

DESIGN ASSUMPTIONS:

- ANCHOR/VERTICAL MICROPILE LOAD OF 55 KIPS.
- VERTICAL LOAD OF 4.6 KIPS/SQFT.
- LATERAL LOAD OF 4.9 KIPS/SQFT.

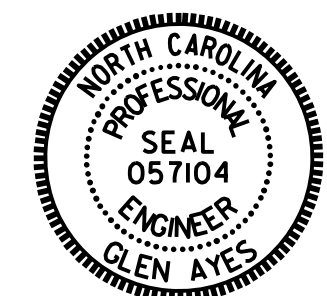
INVERT ALTERNATE STIRRUPS AS SHOWN.

STIRRUPS MAY BE SHIFTED SLIGHTLY AS NECESSARY TO CLEAR MICROPILES.

FOR OTHER DESIGN DATA AND GENERAL NOTES, SEE MCP DETAILS.

BEARING PLATES SHALL BE GRADE 50 STEEL.

CONTRACT NO.: C205062



Drawn by: *Glen Ayes*  
01/22/2025  
44DA323C68BA488

STATE OF NORTH CAROLINA  
DEPARTMENT OF TRANSPORTATION  
RALEIGH

**SLOPE STABILIZATION  
KNEE WALL**

REVISIONS						SHEET NO. 2G-3
NO.	BY:	DATE:	NO.	BY:	DATE:	
1			3			TOTAL SHEETS 1
2			4			

DOCUMENT NOT CONSIDERED  
FINAL UNLESS ALL  
SIGNATURES COMPLETED

DRAWN BY : NAP DATE : 11/24  
CHECKED BY : G. AYES DATE : 11/24  
DESIGN ENGINEER OF RECORD : G. AYES DATE : 11/24