

08-FEB-2018 08:02
 S:\Contracts\Contractors\Special Details\vericard\usr\details\stand\840stds\840d14min.dgn
 J:\overton AT USD-292595

5/14/99

STATE OF
 NORTH CAROLINA
 DEPT. OF TRANSPORTATION
 DIVISION OF HIGHWAYS
 RALEIGH, N.C.

ENGLISH DETAIL DRAWING FOR
MINIMUM DEPTH CONCRETE DROP INLET
 12" THRU 30" PIPE

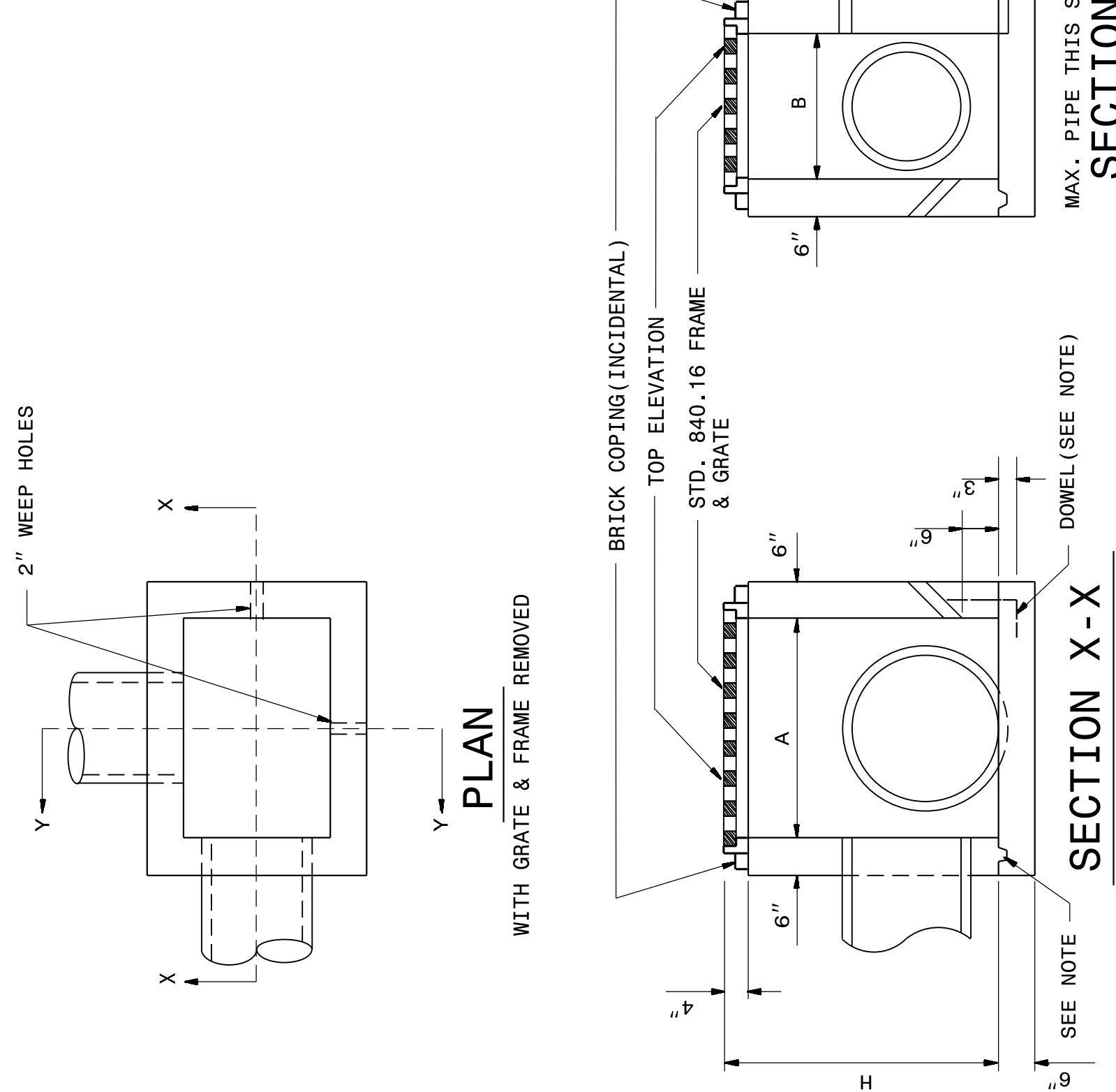
SHEET 1 OF 1
840D14

STATE OF
 NORTH CAROLINA
 DEPT. OF TRANSPORTATION
 DIVISION OF HIGHWAYS
 RALEIGH, N.C.

ENGLISH DETAIL DRAWING FOR
MINIMUM DEPTH CONCRETE DROP INLET
 12" THRU 30" PIPE

SHEET 1 OF 1
840D14

GENERAL NOTES:
 USE CLASS "B" CONCRETE THROUGHOUT.
 OPTIONAL CONSTRUCTION - MONOLITHIC POUR 2" KEYWAY OR #4 BAR DOWELS AT 12" CENTERS AS DIRECTED BY THE ENGINEER.
 USE FORMS FOR THE CONSTRUCTION OF THE BOTTOM SLAB.
 IF REINFORCED CONCRETE PIPE IS SET IN BOTTOM SLAB OF BOX, ADD TO SLAB AS SHOWN ON STD. NO. 840.00.
 CONSTRUCT WITH PIPE CROWNS MATCHING.
 INSTALL 2" WEEPHOLES AS DIRECTED BY THE ENGINEER.
 INSTALL STONE DRAINS, OF A MINIMUM OF 1 CUBIC FOOT OF NO. 76M STONE IN A POROUS FABRIC BAG OR WRAP, AT EACH WEEP HOLE OR AS DIRECTED BY THE ENGINEER.
 CHAMFER ALL EXPOSED CORNERS 1".
 DRAWING NOT TO SCALE.



DIMENSIONS AND QUANTITIES FOR DROP INLET (BASED ON MIN. HEIGHT, H)

PIPE	DIMENSIONS OF BOX & PIPE		CUBIC YARDS CONCR. IN BOX		DEDUCTIONS FOR ONE PIPE			
	SPAN	WIDTH	MIN.	HEIGHT	BOTTOM SLAB	WALL PER FT. HT.		
12"	3'-0"	2'-0"	1'-8"	0.222	0.222	0.555	0.015	0.026
15"	3'-0"	2'-0"	1'-11"	0.222	0.222	0.611	0.023	0.036
18"	3'-0"	2'-0"	2'-1"	0.222	0.222	0.667	0.033	0.049
24"	3'-0"	2'-0"	2'-9"	0.222	0.222	0.814	0.059	0.085
30"	3'-0"	2'-0"	3'-2"	0.222	0.222	0.925	0.092	0.127

STATE OF
 NORTH CAROLINA
 DEPT. OF TRANSPORTATION
 DIVISION OF HIGHWAYS
 RALEIGH, N.C.

ENGLISH DETAIL DRAWING FOR
MINIMUM DEPTH BRICK DROP INLET
 12" THRU 30" PIPE

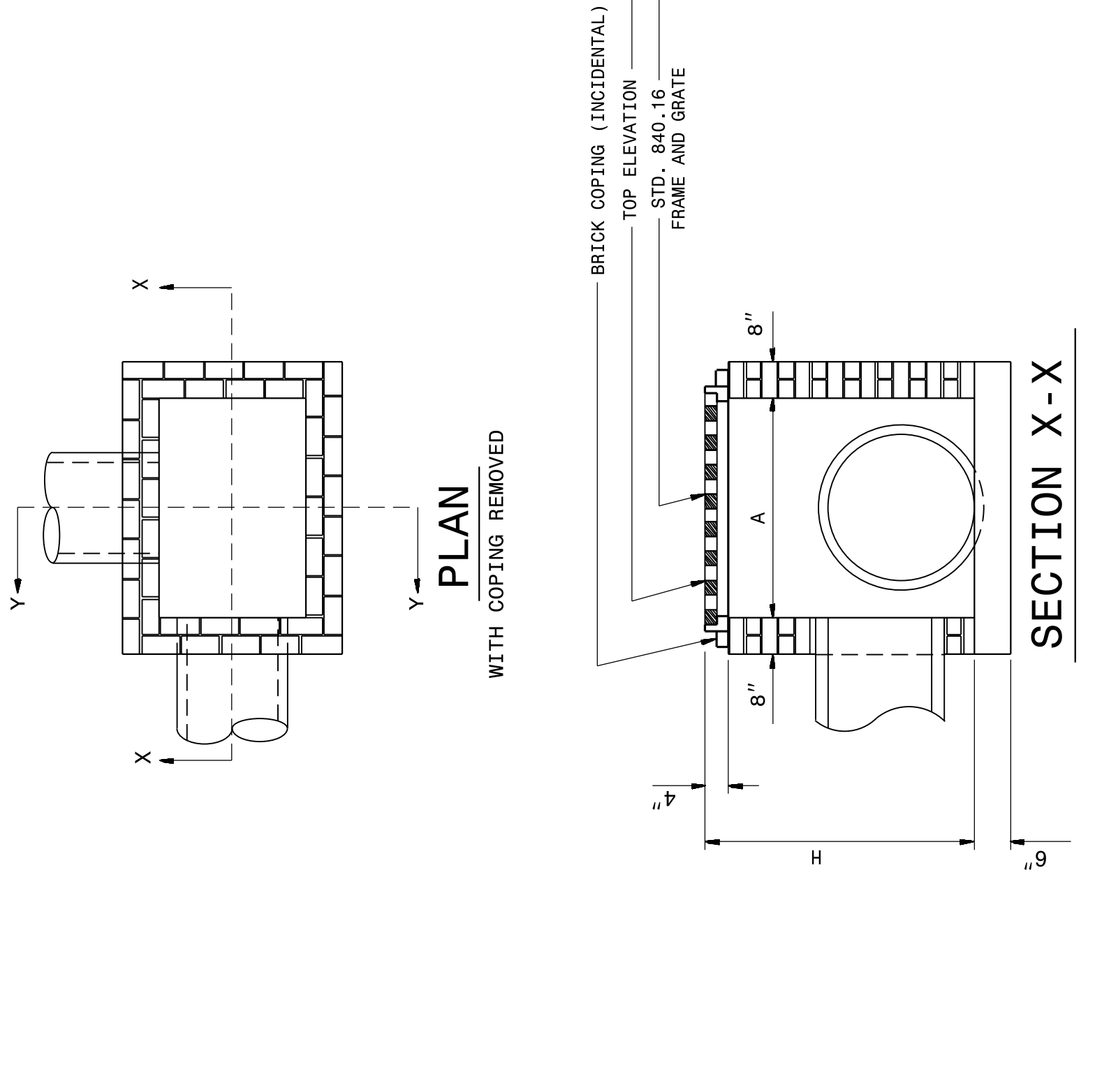
SHEET 1 OF 1
840D15

STATE OF
 NORTH CAROLINA
 DEPT. OF TRANSPORTATION
 DIVISION OF HIGHWAYS
 RALEIGH, N.C.

ENGLISH DETAIL DRAWING FOR
MINIMUM DEPTH BRICK DROP INLET
 12" THRU 30" PIPE

SHEET 1 OF 1
840D15

GENERAL NOTES:
 MORTAR JOINTS 1/2" TO 1/8" THICK.
 USE CLASS "B" CONCRETE THROUGHOUT.
 USE FORMS FOR CONSTRUCTION OF THE BOTTOM SLAB.
 DEDUCT FOR PIPE(S) FROM TOTAL CU. YDS. OF BRICK MASONRY.
 USE BRICK OR CONCRETE BLOCK WHICH COMPLIES WITH THE REQUIREMENTS OF SECTION 840 OF THE STANDARD SPECIFICATIONS.
 IF REINFORCED CONCRETE PIPE IS SET IN BOTTOM SLAB OF BOX, ADD TO SLAB AS SHOWN ON STD. NO. 840.00.
 CONSTRUCT WITH PIPE CROWNS MATCHING.
 DO NOT USE BRICK MASONRY DROP INLET IN LOCATIONS SUBJECT TO TRAFFIC.
 CHAMFER ALL EXPOSED CORNERS 1".
 DRAWING NOT TO SCALE.



DIMENSIONS AND QUANTITIES FOR DROP INLET (BASED ON MIN. HEIGHT, H)

PIPE	DIMENSIONS OF BOX & PIPE		CUBIC YARDS CONCRETE		CUBIC YARDS BRICK MASONRY		DEDUCTIONS FOR ONE PIPE	
	SPAN	WIDTH	MIN.	HEIGHT	BOTTOM SLAB	WALL PER FOOT HT.	TOTAL BRICK MASONRY	C.S.
12"	3'-0"	2'-0"	1'-8"	0.268	0.313	0.470	0.020	0.032
15"	3'-0"	2'-0"	1'-11"	0.268	0.313	0.548	0.031	0.047
18"	3'-0"	2'-0"	2'-1"	0.268	0.313	0.626	0.044	0.065
24"	3'-0"	2'-0"	2'-9"	0.268	0.313	0.835	0.078	0.113
30"	3'-0"	2'-0"	3'-2"	0.268	0.313	0.991	0.122	0.170

DOCUMENT NOT CONSIDERED FINAL UNLESS ALL SIGNATURES COMPLETED

CONTRACT STANDARDS AND DEVELOPMENT UNIT
 Office 919-707-6950 FAX 919-250-4119

SEE PLATE FOR TITLE

ORIGINAL BY: 2002 STD. 840.14 DATE: _____
 MODIFIED BY: E.E. WARD DATE: 3-4-02
 CHECKED BY: _____ DATE: _____
 FILE SPEC.: _____

