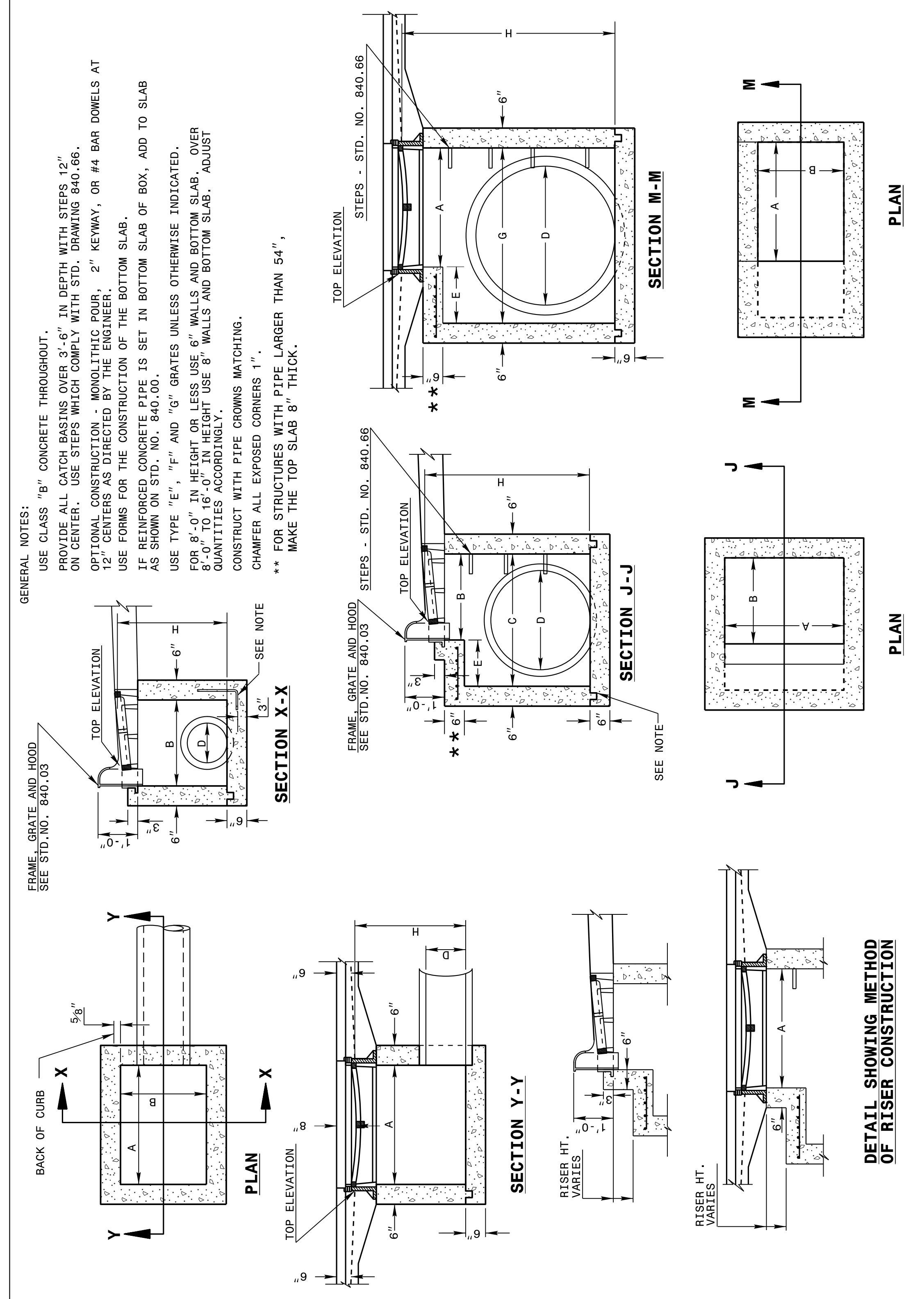


10-AUG-2017 10:41 AM  
 S:\Contracts\Special Details\840d02 Min Depth CB.dgn  
 Jhowerton AT CSD-292595

5/14/99

STATE OF NORTH CAROLINA  
 DEPT. OF TRANSPORTATION  
 DIVISION OF HIGHWAYS  
 RALEIGH, N.C.

STATE OF NORTH CAROLINA  
 DEPT. OF TRANSPORTATION  
 DIVISION OF HIGHWAYS  
 RALEIGH, N.C.



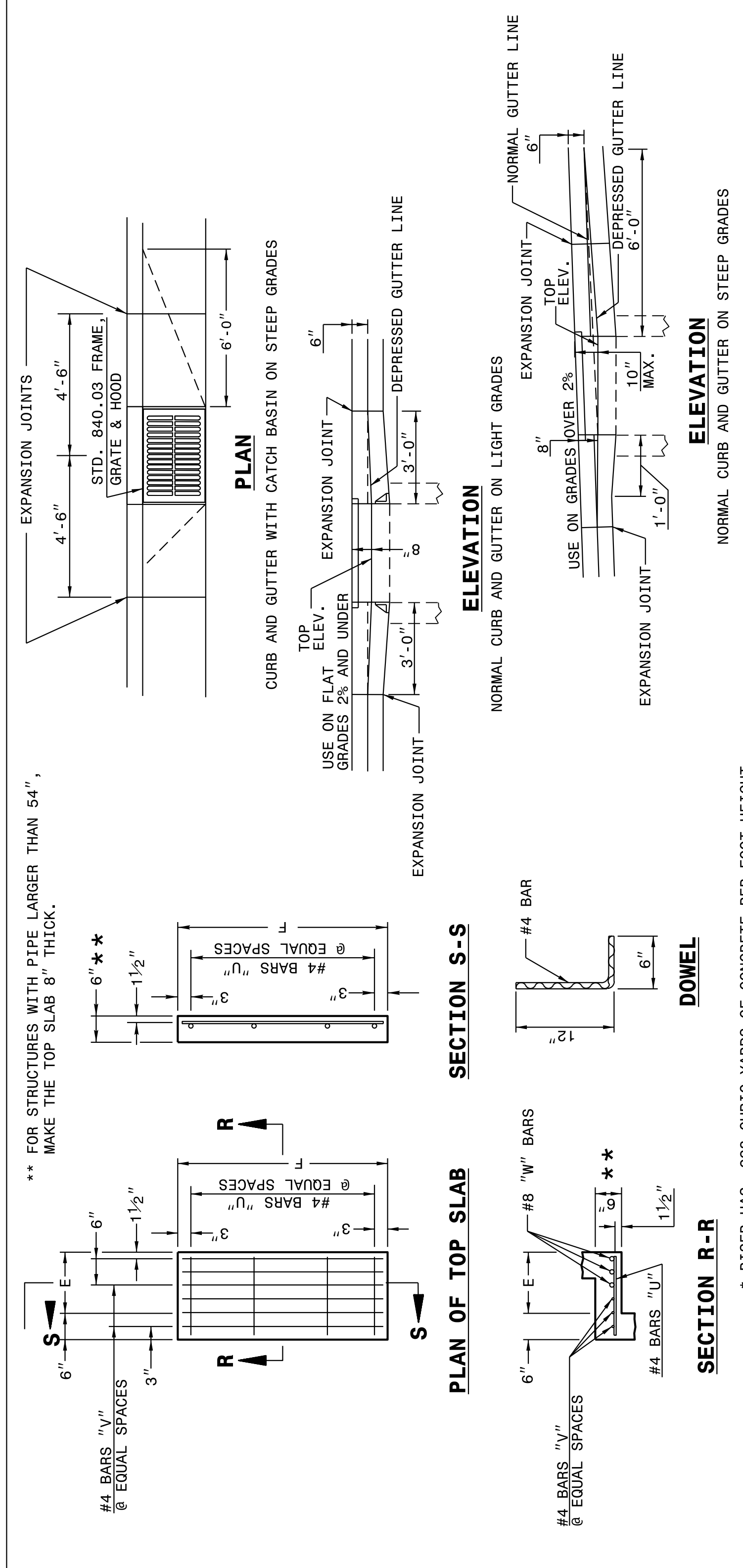
ENGLISH DETAIL DRAWING FOR  
**MINIMUM DEPTH  
 CONCRETE CATCH BASIN**  
 12" THRU 84" PIPE

SHEET 1 OF 2  
**840D02**

SHEET 1 OF 2  
**840D02**

STATE OF NORTH CAROLINA  
 DEPT. OF TRANSPORTATION  
 DIVISION OF HIGHWAYS  
 RALEIGH, N.C.

STATE OF NORTH CAROLINA  
 DEPT. OF TRANSPORTATION  
 DIVISION OF HIGHWAYS  
 RALEIGH, N.C.



ENGLISH DETAIL DRAWING FOR  
**MINIMUM DEPTH  
 CONCRETE CATCH BASIN**  
 12" THRU 84" PIPE

SHEET 2 OF 2  
**840D02**

SHEET 2 OF 2  
**840D02**

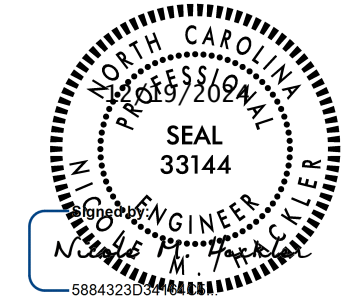
\* RISER HAS .228 CUBIC YARDS OF CONCRETE PER FOOT HEIGHT

PIPE D.	DIMENSIONS OF BOX AND PIPE			COVER DIMENSION			BARS-U			BARS-V			BARS-W			TOTAL LBS.	CU. YDS. CONC. IN BOX	DEDUCTIONS		
	SPAN	WIDTH	MIN. HEIGHT	E	F	H	NO.	LENGTH	NO.	LENGTH	NO.	LENGTH	NO.	LENGTH	TOP SLAB			BOTTOM SLAB	TOT. CONC. HEIGHT, H.	C. M.
12"	3'-0"	2'-2"	2'-0"	..	..	2'-0"	..	..	..	..	..	..	..	..	0.235	0.772	0.015	0.026	0.026	
15"	3'-0"	2'-2"	2'-3"	..	..	2'-3"	..	..	..	..	..	..	..	..	0.235	0.829	0.023	0.036	0.049	
18"	3'-0"	2'-2"	3'-1"	..	..	3'-1"	..	..	..	..	..	..	..	..	0.235	0.887	0.033	0.049	0.085	
24"	3'-0"	2'-2"	3'-4"	..	..	3'-4"	..	..	..	..	..	..	..	..	0.235	1.001	0.059	0.085	0.127	
30"	3'-0"	2'-2"	3'-10"	..	..	3'-10"	..	..	..	..	..	..	..	..	0.235	1.433	0.092	0.127	0.178	
36"	3'-0"	2'-2"	4'-5"	..	..	4'-5"	..	..	..	..	..	..	..	..	0.200	1.738	0.132	0.178	0.243	
42"	3'-0"	2'-2"	5'-0"	..	..	5'-0"	..	..	..	..	..	..	..	..	0.235	1.738	0.180	0.243	0.317	
48"	3'-0"	2'-2"	5'-7"	..	..	5'-7"	..	..	..	..	..	..	..	..	0.235	1.738	0.235	0.317	0.401	
54"	3'-0"	2'-2"	6'-3"	..	..	6'-3"	..	..	..	..	..	..	..	..	0.289	2.387	0.287	0.401	0.546	
60"	3'-0"	2'-2"	6'-11"	..	..	6'-11"	..	..	..	..	..	..	..	..	0.340	2.722	0.363	0.546	0.655	
66"	3'-0"	2'-2"	7'-6"	..	..	7'-6"	..	..	..	..	..	..	..	..	0.391	3.057	0.440	0.655	0.774	
72"	3'-0"	2'-2"	8'-1"	..	..	8'-1"	..	..	..	..	..	..	..	..	0.442	3.392	0.524	0.774	0.893	
78"	3'-0"	2'-2"	8'-9"	..	..	8'-9"	..	..	..	..	..	..	..	..	0.493	3.727	0.615	0.893	1.010	
84"	3'-0"	2'-2"	8'-9"	..	..	8'-9"	..	..	..	..	..	..	..	..	0.544	4.062	0.713	1.010	1.127	

CONTRACT STANDARDS  
 AND DEVELOPMENT UNIT  
 Office 919-707-6950 FAX 919-250-4119

**SEE PLATE FOR TITLE**

ORIGINAL BY: 2002 Std.840.01 DATE: \_\_\_\_\_  
 MODIFIED BY: E.E. WARD DATE: 3-1-02  
 CHECKED BY: \_\_\_\_\_ DATE: \_\_\_\_\_  
 FILE SPEC.: s:Special Details/jhowerton/840d02.dgn



DOCUMENT NOT CONSIDERED FINAL  
 UNLESS ALL SIGNATURES COMPLETED