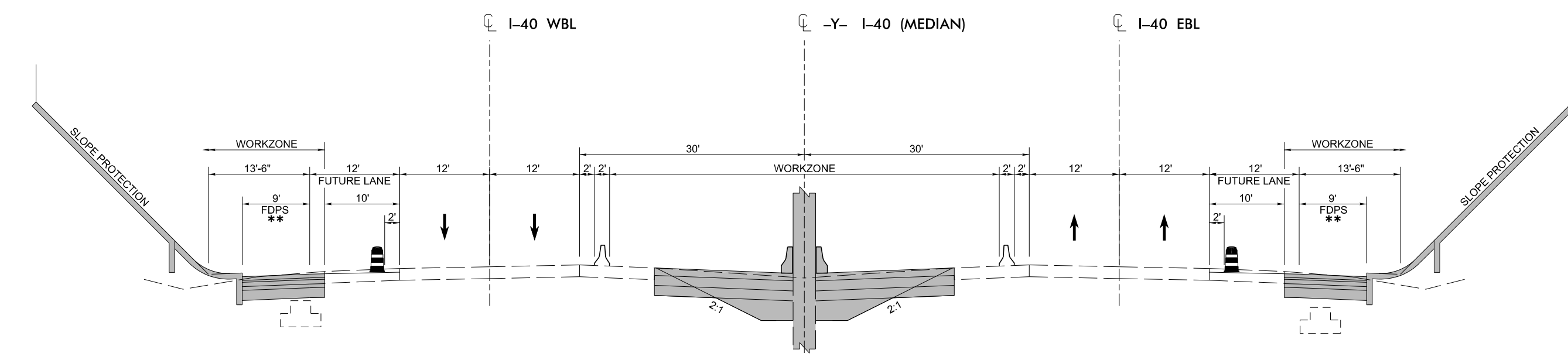
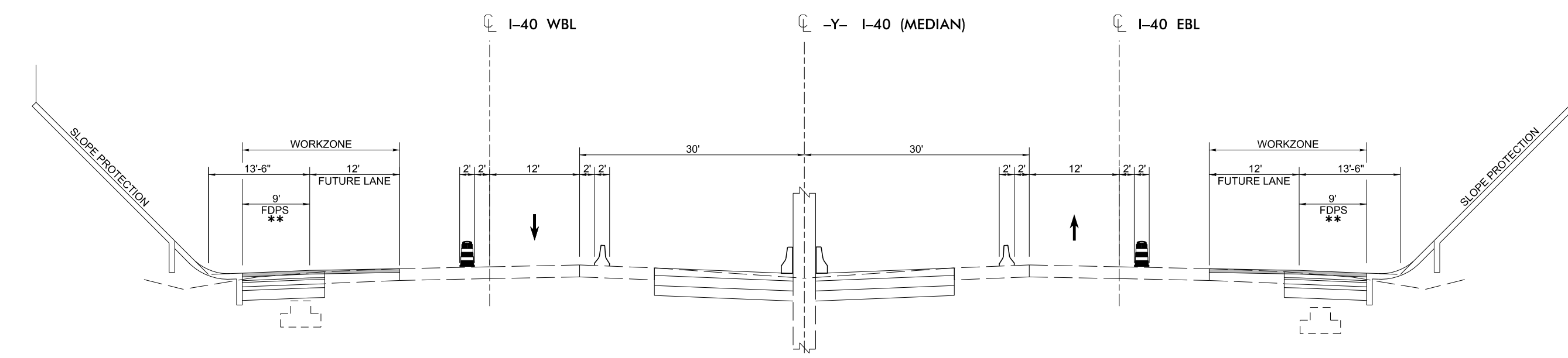


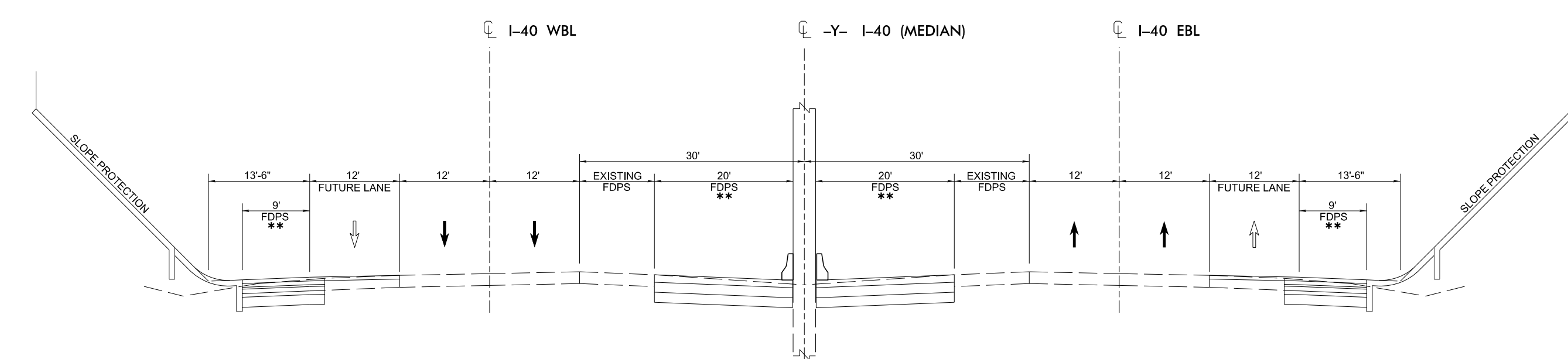
STEP 8



STEP 9



STEP 10



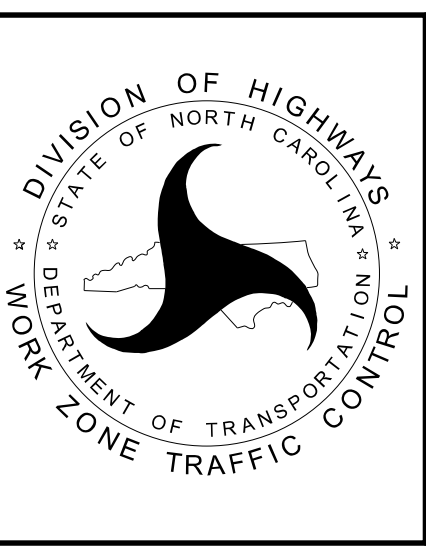
FINAL

NOTE: SEE PM PLANS FOR FINAL PAVEMENT MARKINGS AND MARKERS

12/20/2024 R:\New_Raleigh_Data\PROJECTS\Engineering Projects\119308.000 BR-0152 TMP, PMP, Signing Plans (Volker+T)\TMP\BR-0152 Davie 76\6.0 TMP, PMP, Signing Plans (Volker+T)\TMP\09_&.10_I40XSC_psh.dgn User:zachary.thornton

VOLKERT
 5430 Wade Park Blvd., Suite 410
 Raleigh, NC 27607
 Tel. 919-854-0344 Fax. 919-854-0355
 NC License No. F-0765

DocuSigned by:
 APPROVED: *Zachary Thornton*
 DATE: 12/21/2024
 SEAL
 DOCUMENT NOT CONSIDERED FINAL
 UNLESS ALL SIGNATURES COMPLETED



I-40 SECTION VIEWS