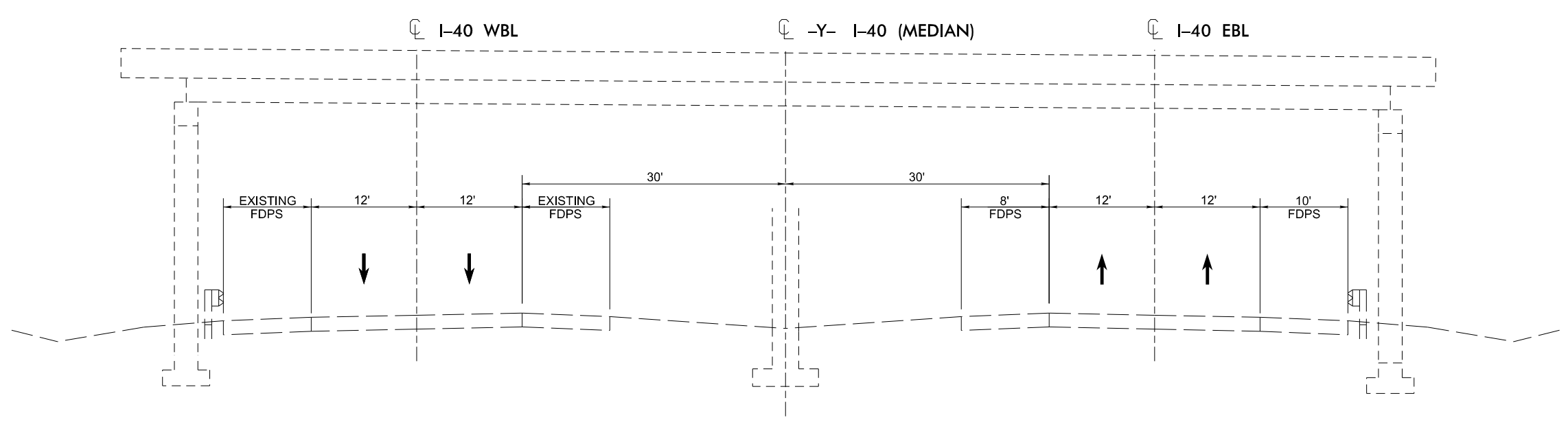
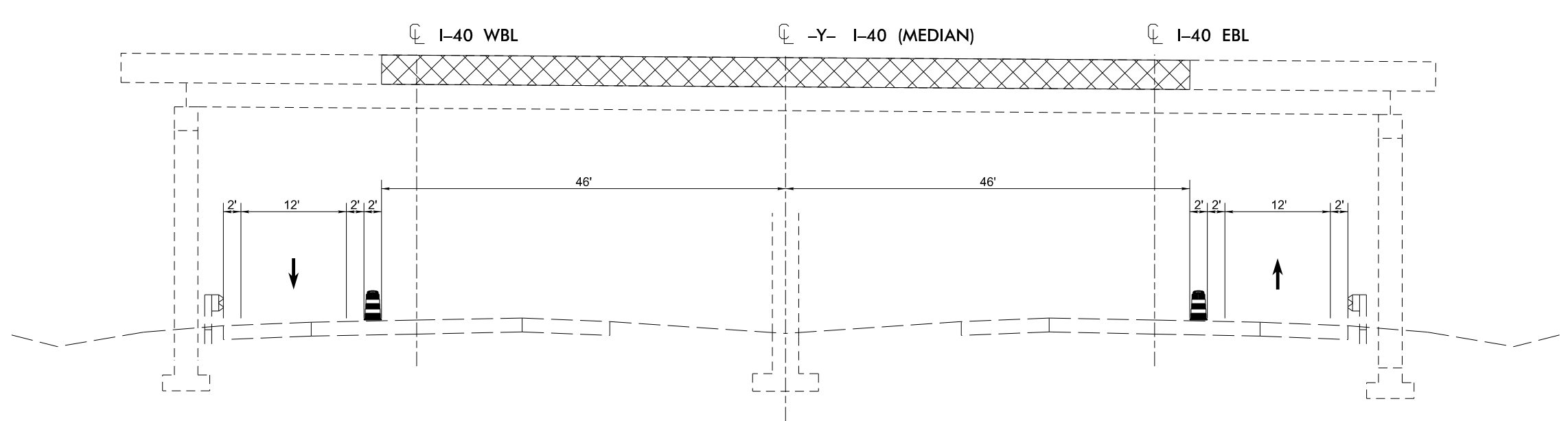


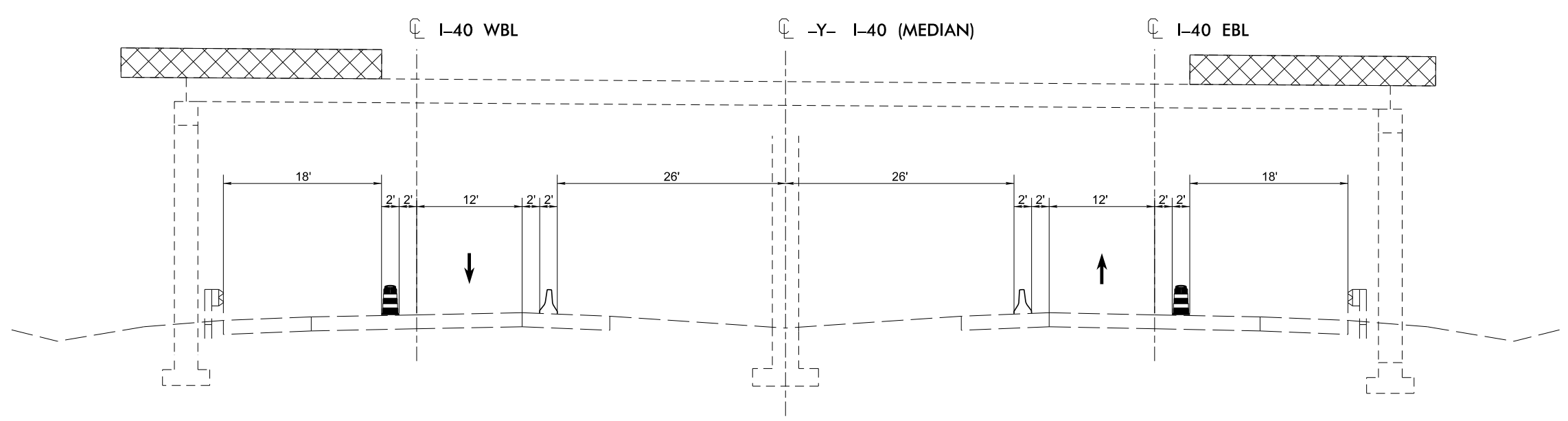
-Y-
┆
STA.



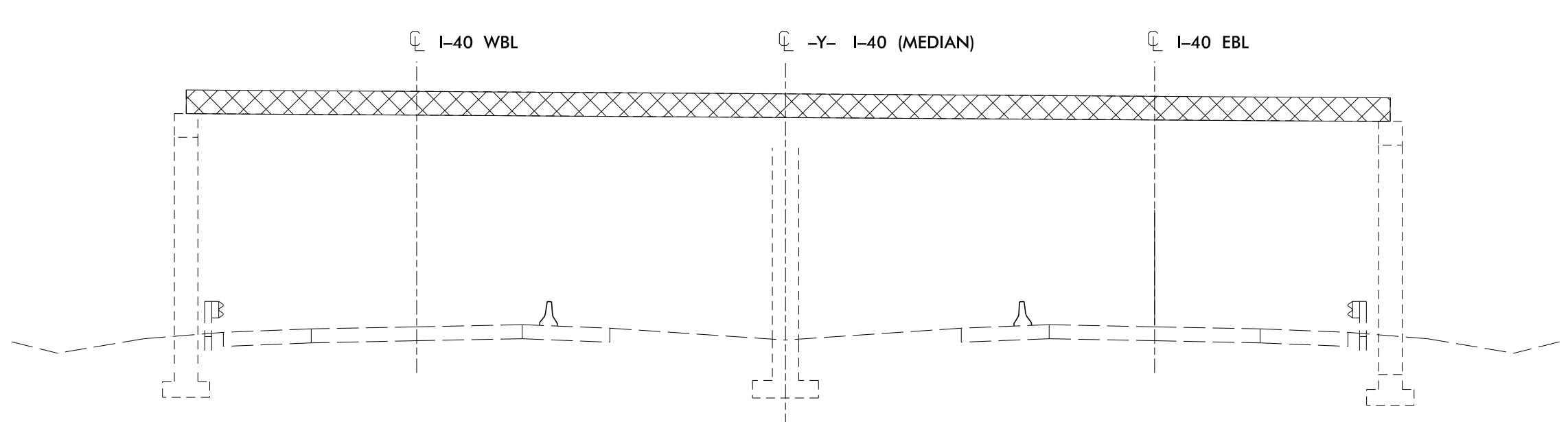
EXISTING



STEP 5



STEP 6



STEP 7

12/20/2024
R:\New_Raleigh_Data\PROJECTS\Engineering Projects\119308.000 BR-0152 Davie 76\6.0 TMP, PMP, Signing Plans (Volker+)\TMP\BR-0152 Davie 76\6.0 TMP, PMP, Signing Plans (Volker+)\10_I40XSC_psh.dgn
User: zachary.thornton

VOLKERT
5430 Wade Park Blvd., Suite 410
Raleigh, NC 27607
Tel. 919-854-0344 Fax. 919-854-0355
NC License No. F-0765

DocuSigned by:
Zachary Thornton
APPROVED: E4D10EEB0CBB48A
DATE: 12/21/2024
SEAL



I-40
SECTION
VIEWS