

BR-0086

CROSS SECTION INDEX

LOCATION

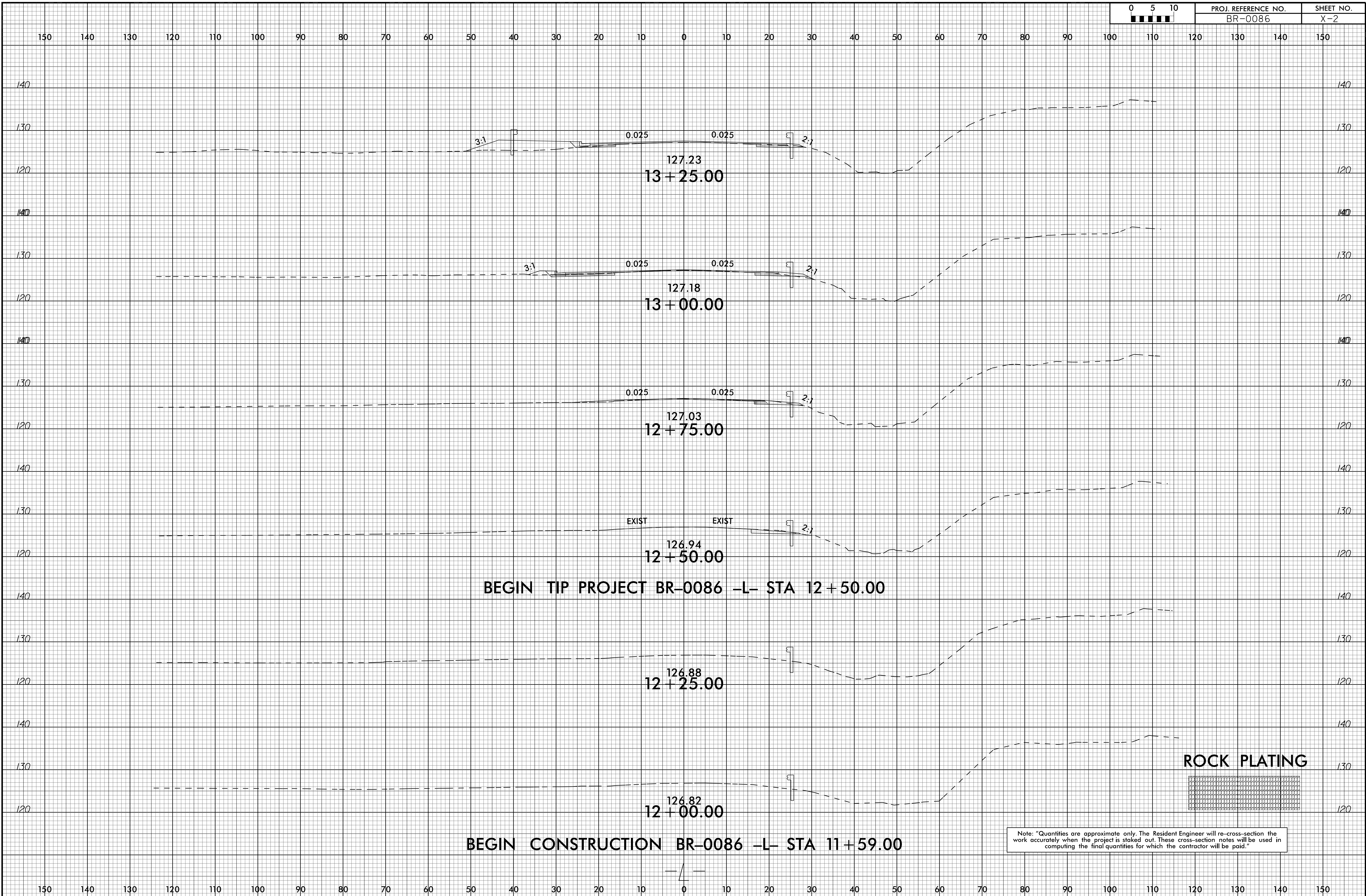
SHEET NO.

-L-

X-2 THRU X-14

-DRWY-

X-15

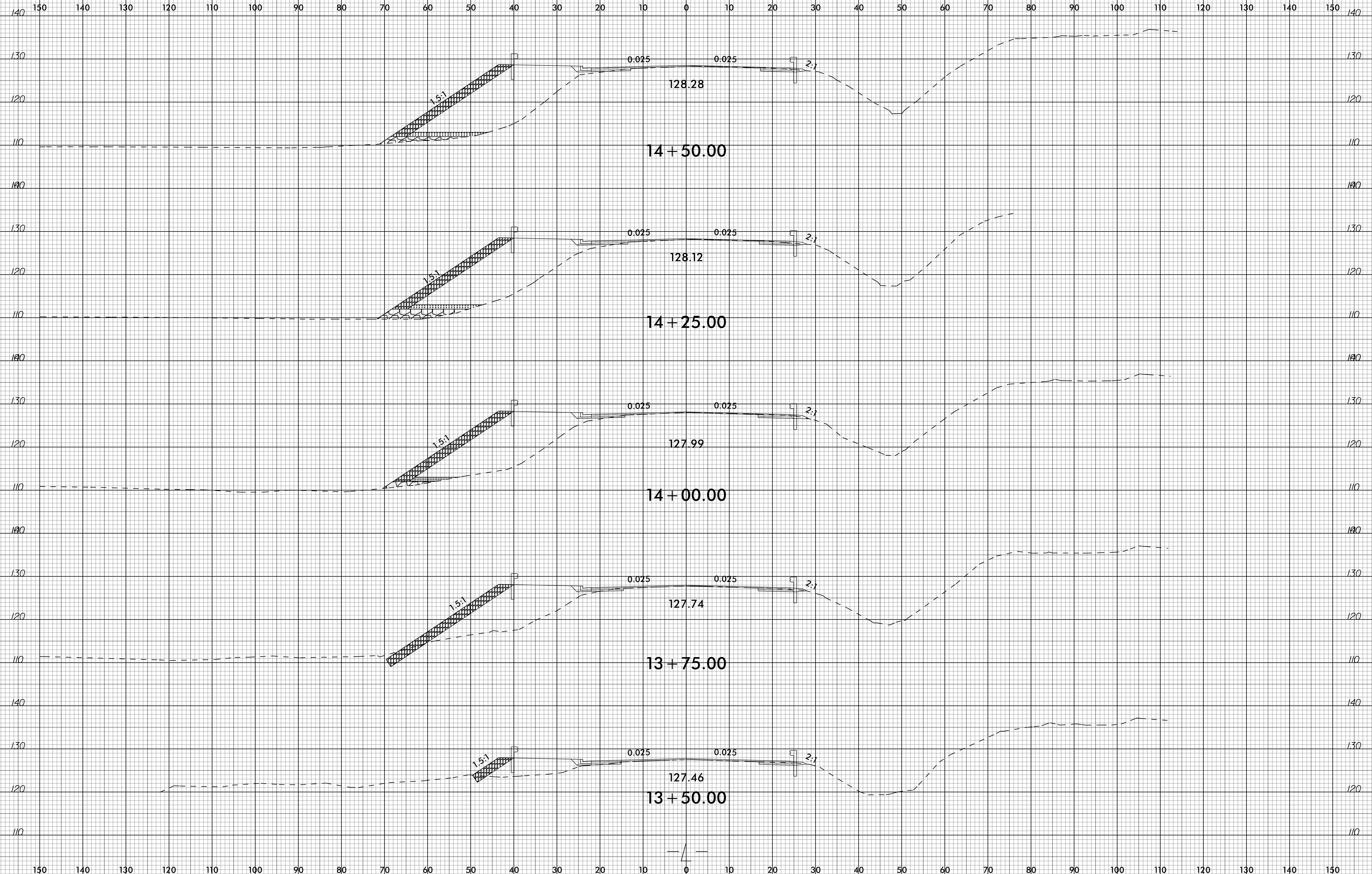


BEGIN TIP PROJECT BR-0086 -L- STA 12+50.00

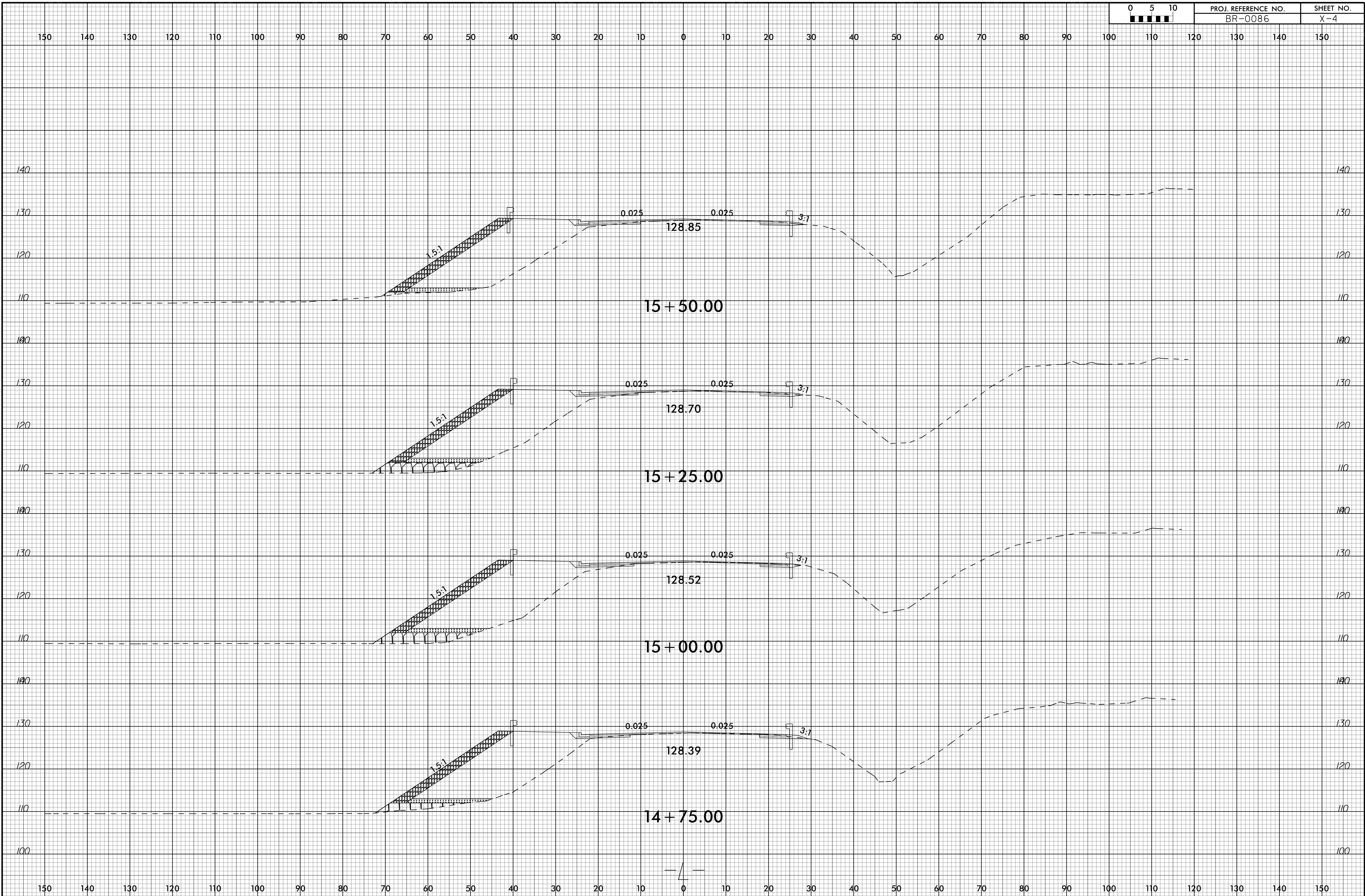
BEGIN CONSTRUCTION BR-0086 -L- STA 11+59.00

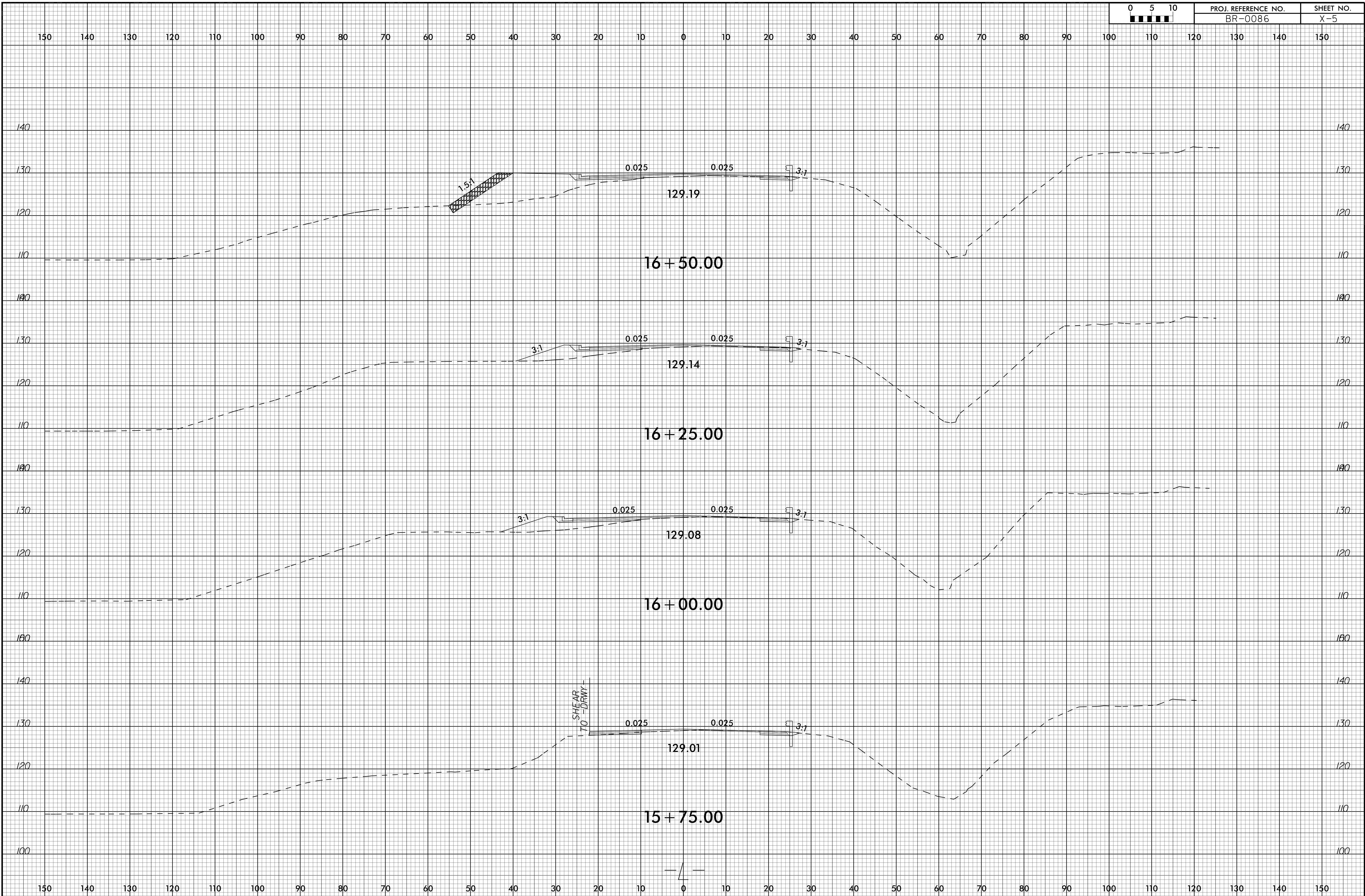
ROCK PLATING

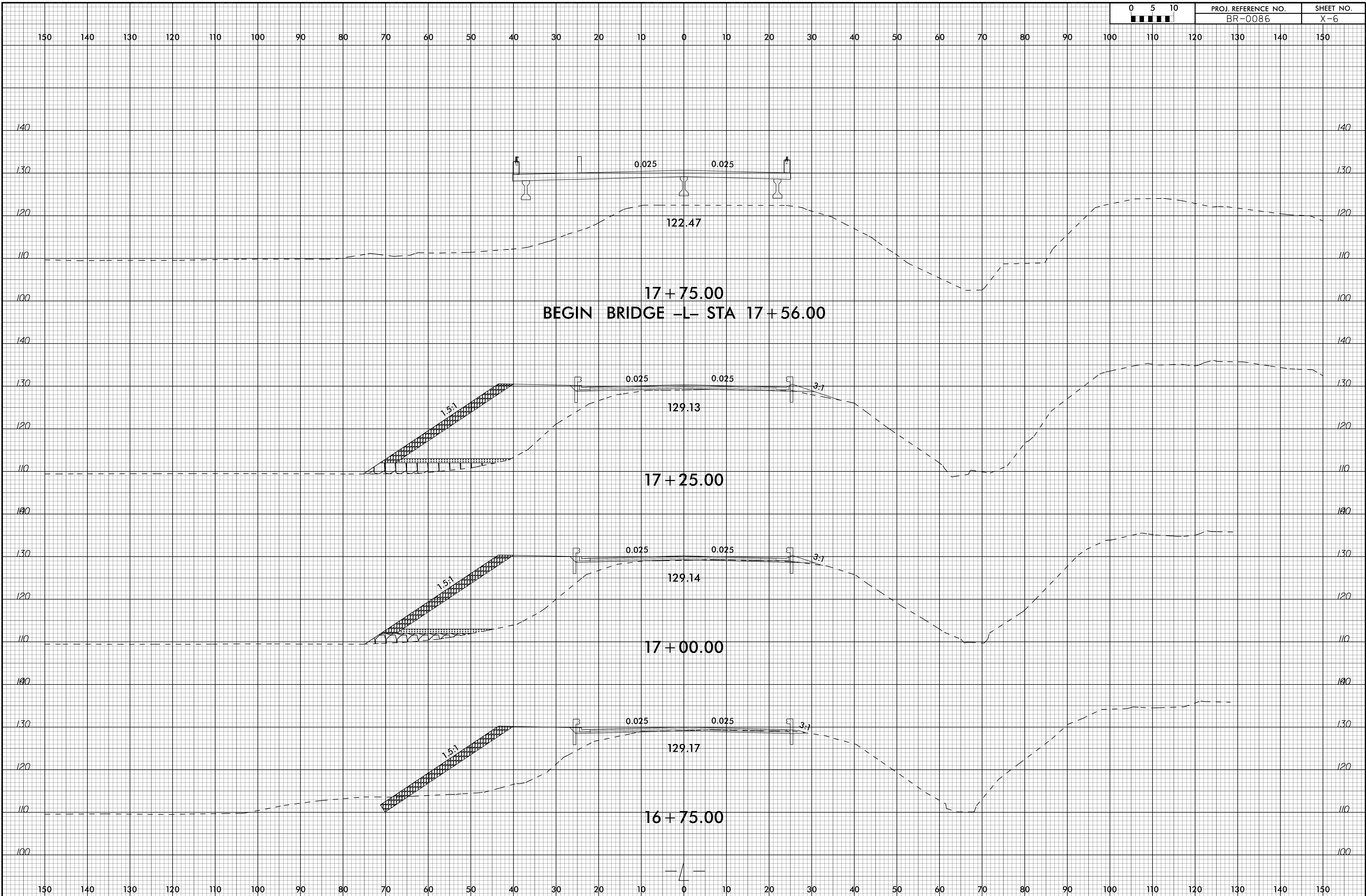
Note: "Quantities are approximate only. The Resident Engineer will re-cross-section the work accurately when the project is staked out. These cross-section notes will be used in computing the final quantities for which the contractor will be paid."

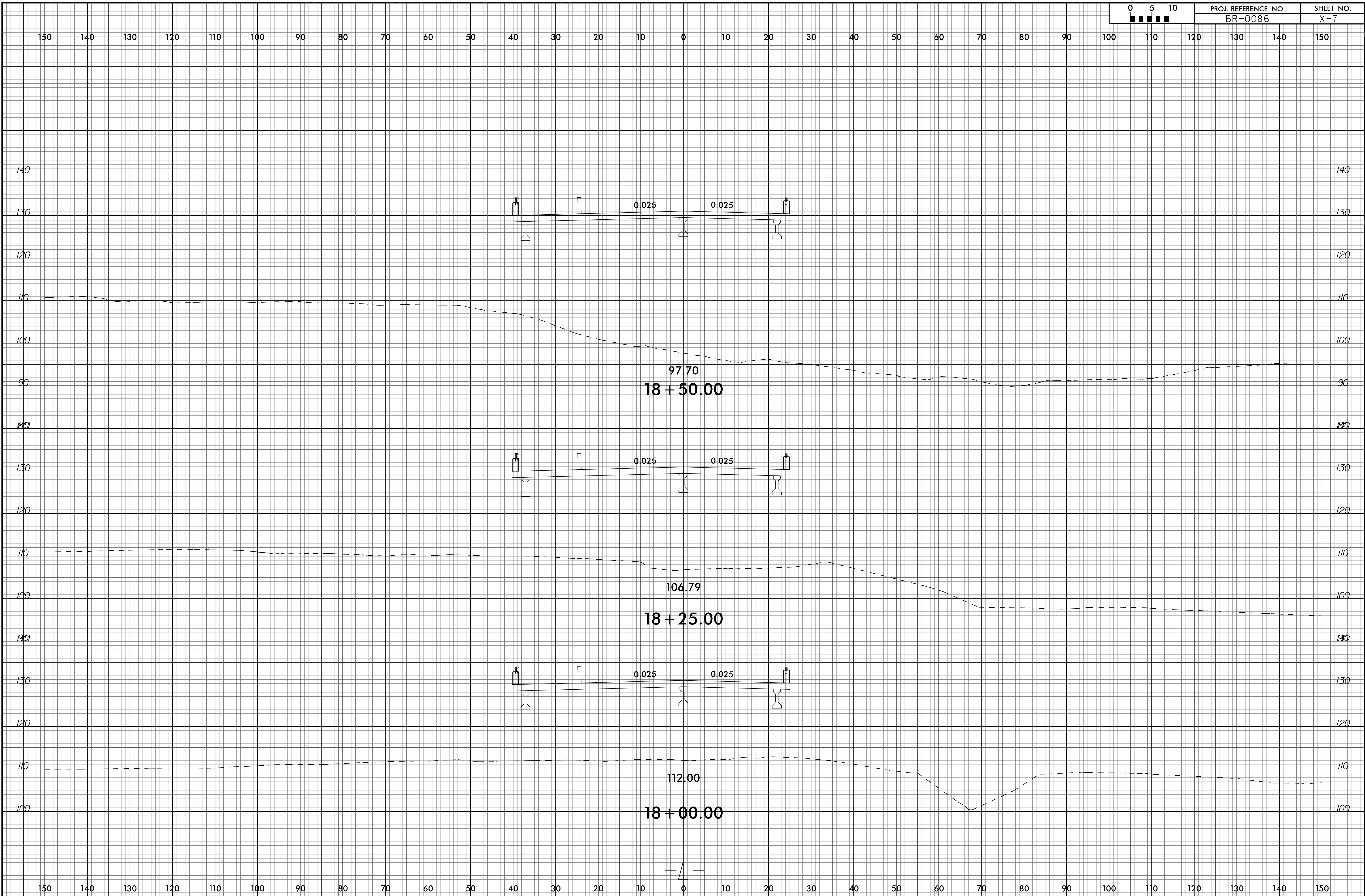


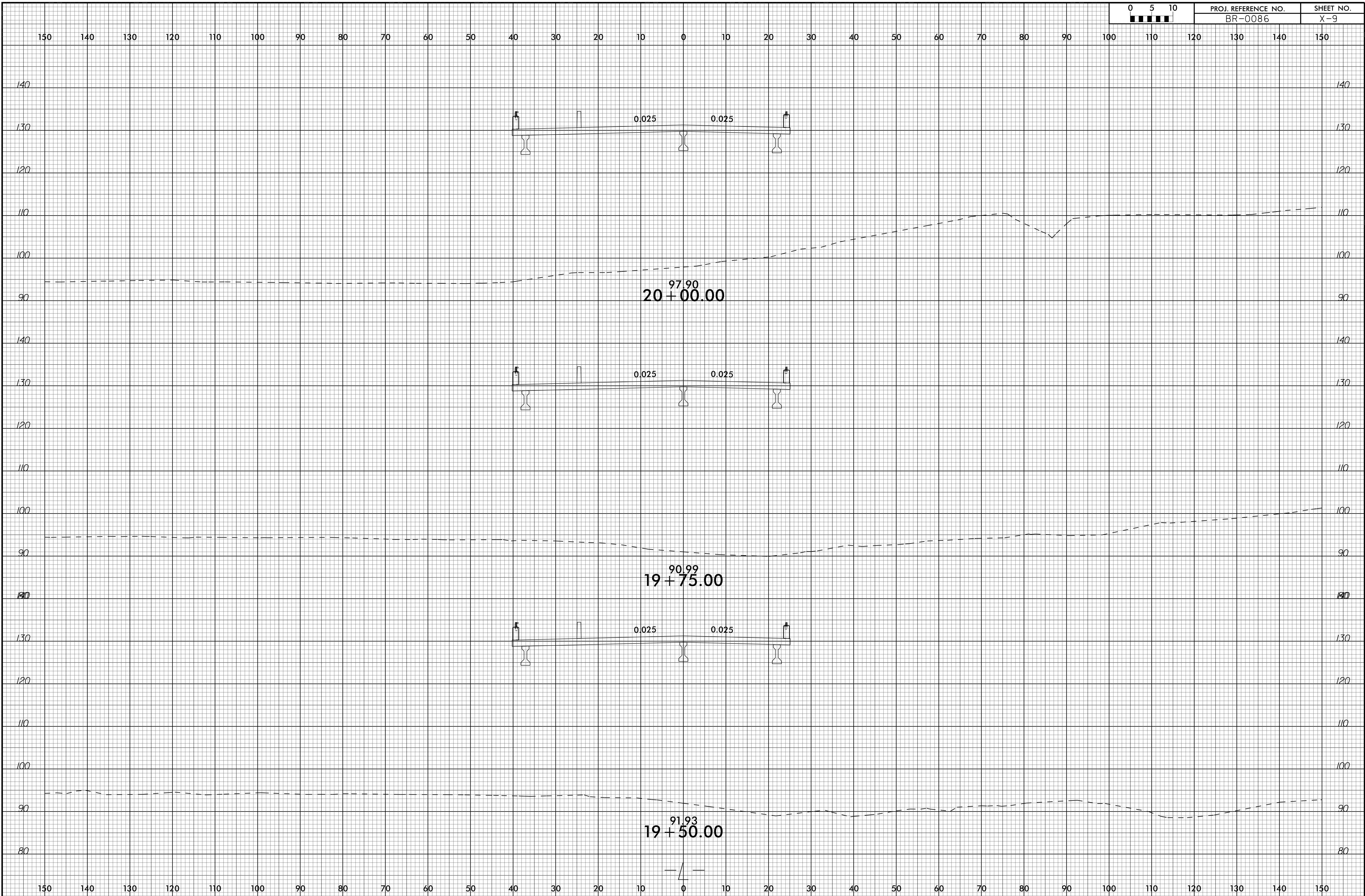
09-001-2024 11:34
R:\Projects\BR0086\Drawings\BR0086_Rdy_xpl.dgn
\$\$\$\$USERNAME\$\$\$





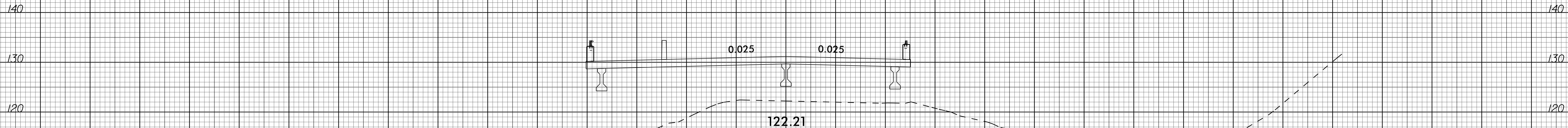




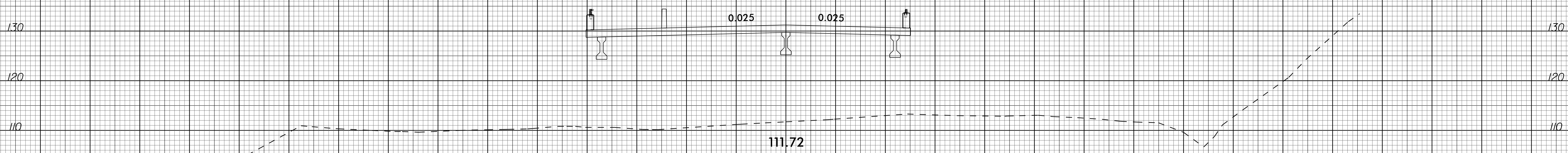


150 140 130 120 110 100 90 80 70 60 50 40 30 20 10 0 10 20 30 40 50 60 70 80 90 100 110 120 130 140 150

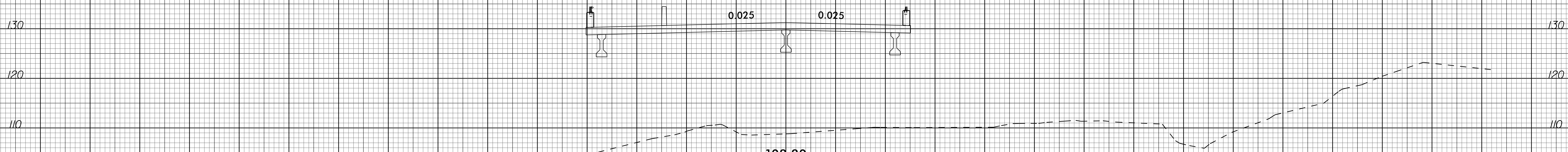
END BRIDGE -L- STA 20+96.00



20+75.00

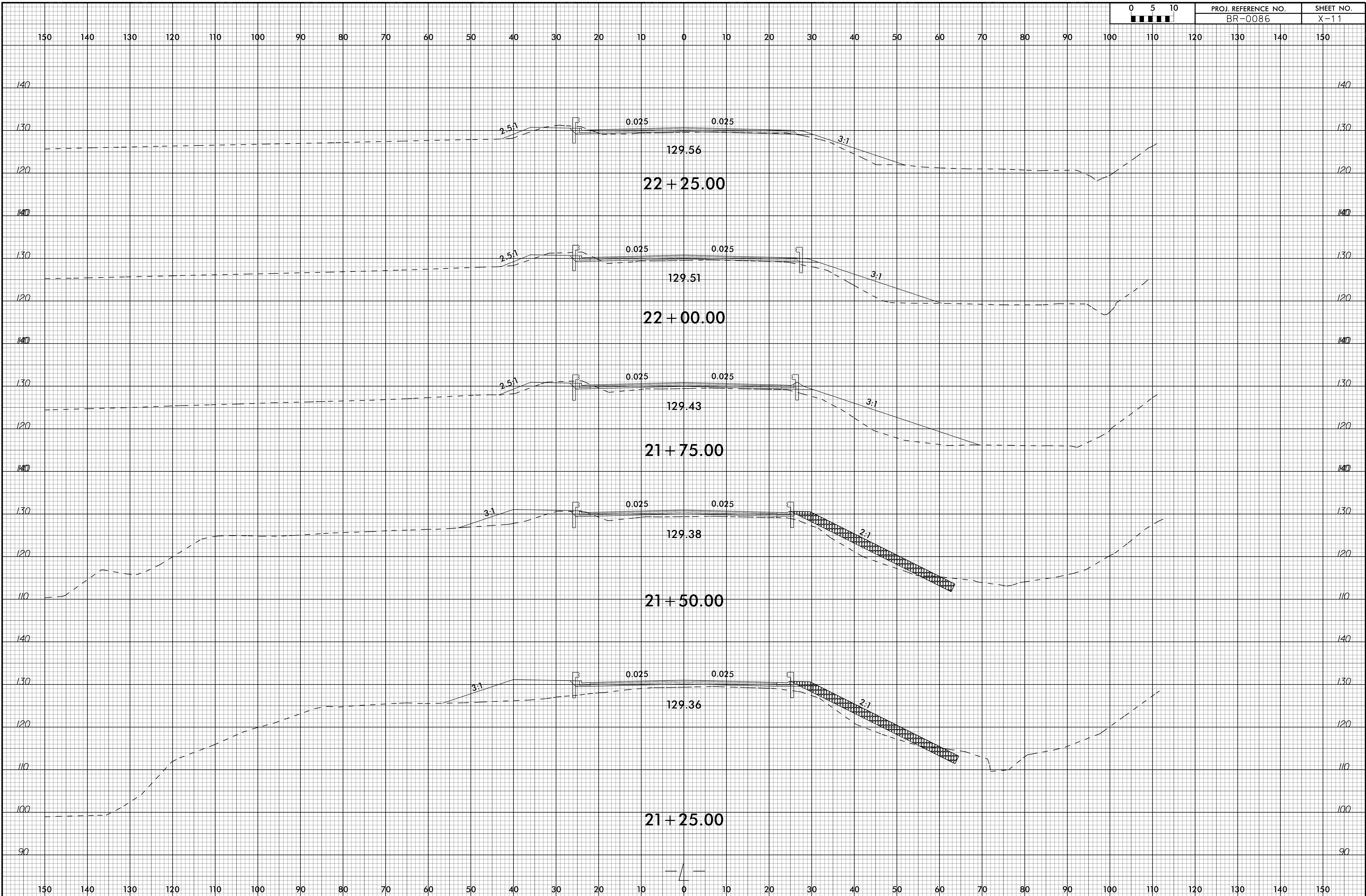


20+50.00



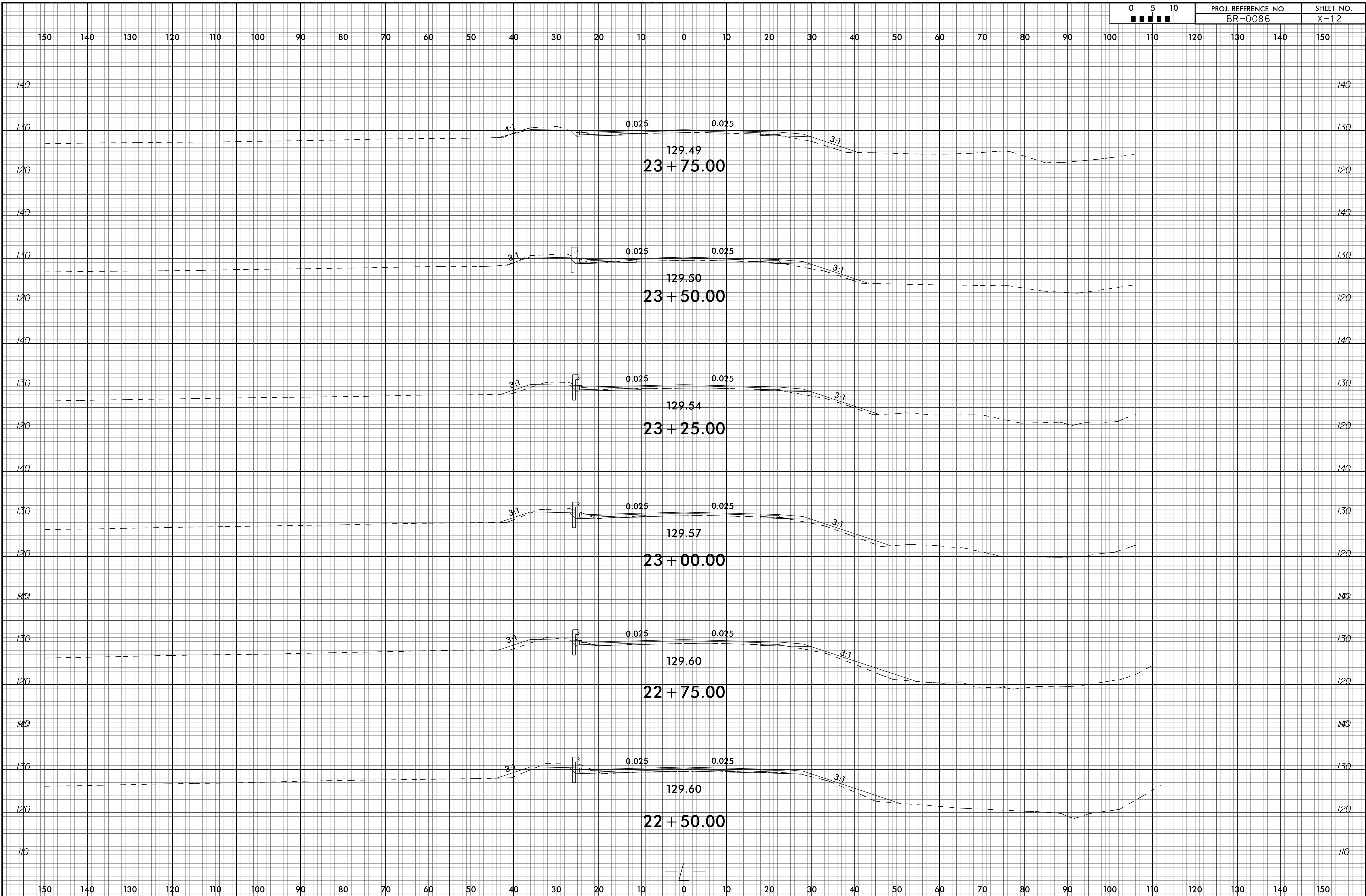
20+25.00

150 140 130 120 110 100 90 80 70 60 50 40 30 20 10 0 10 20 30 40 50 60 70 80 90 100 110 120 130 140 150

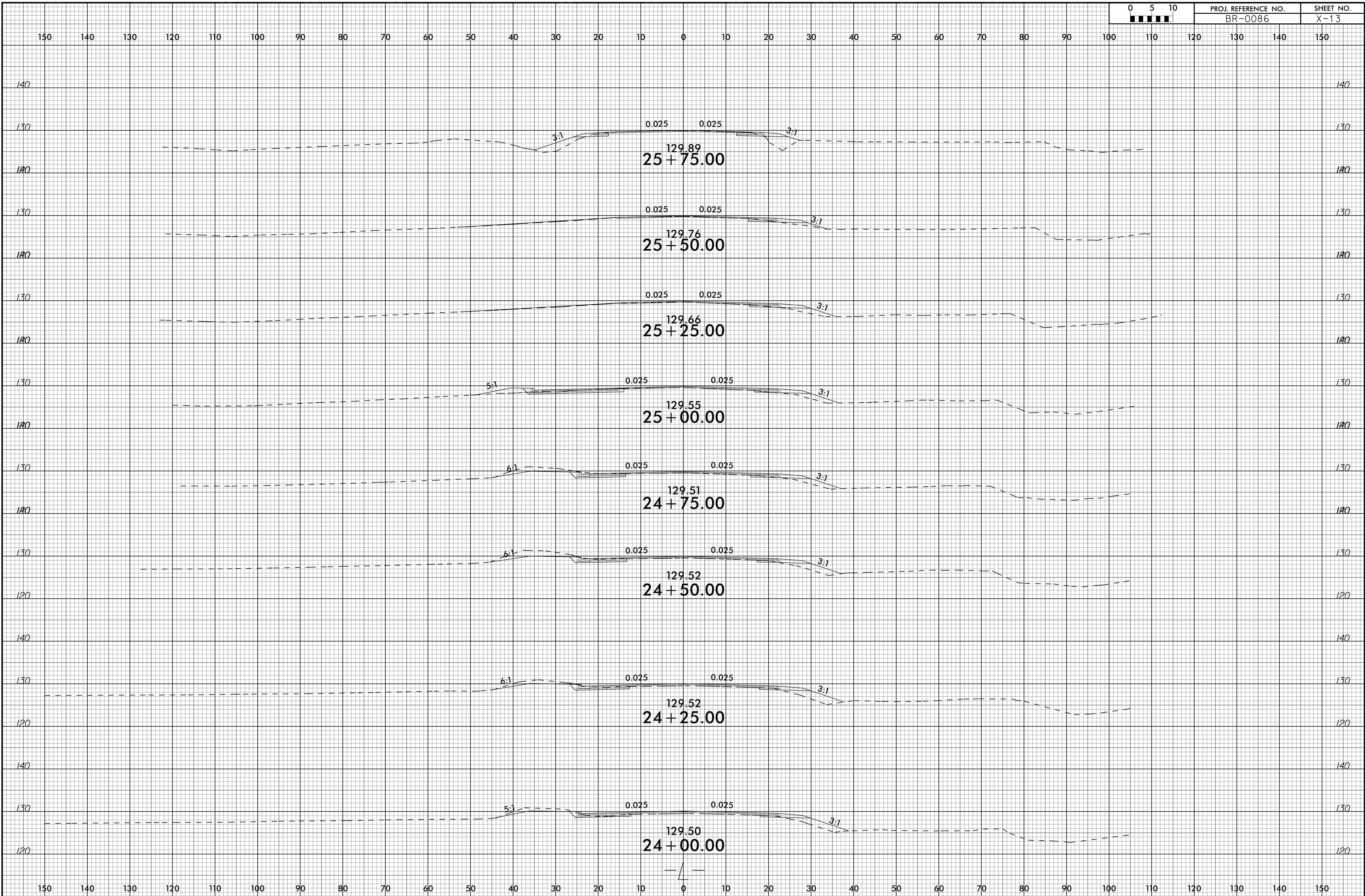


09-001-2024 11:41
R:\Roadwork\CorridorModeling\BR0086_Rdy_xpl.L.dgn
\$\$\$\$USERNAME\$\$\$

6/23/16



R:\Projects\2024\1142\1142_CrossSectionModeling\BR0086_Rdy_xpl.L.dgn



150 140 130 120 110 100 90 80 70 60 50 40 30 20 10 0 10 20 30 40 50 60 70 80 90 100 110 120 130 140 150

END TIP PROJECT BR-0086 -L- STA 26+00.00

