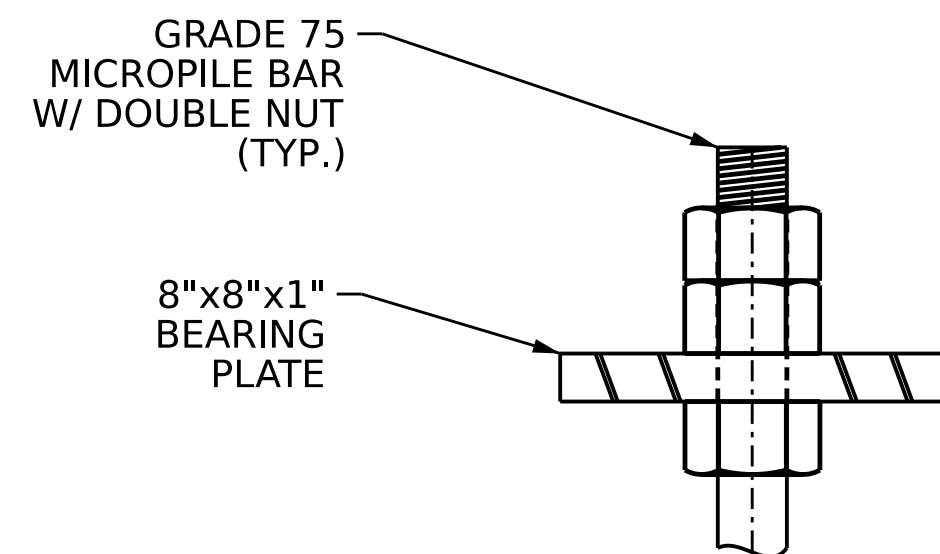
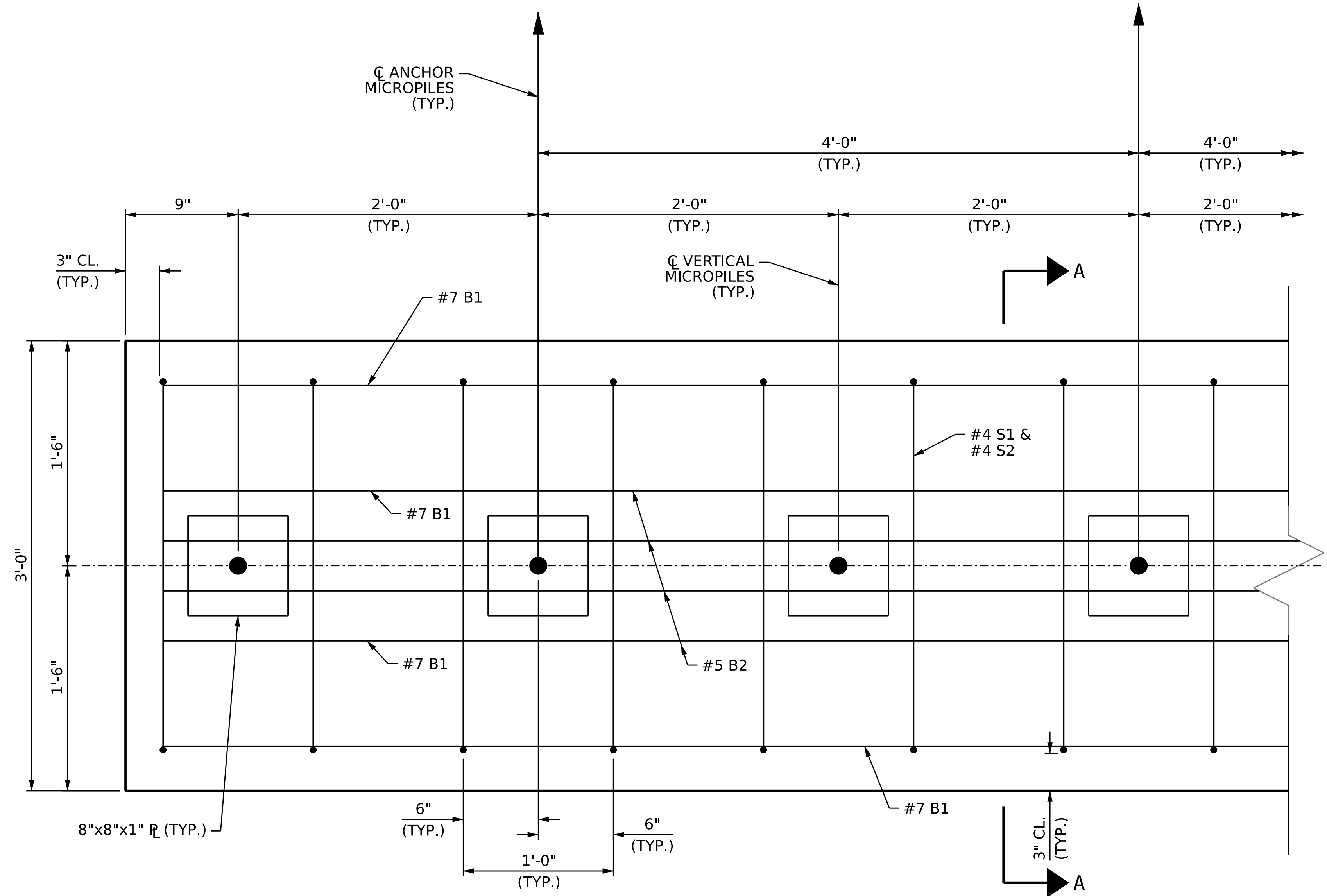


**SECTION A-A**



**MICROPILE DETAIL**

BAR TYPES			
	1		
	2		
ALL BAR DIMENSIONS ARE OUT TO OUT			
BILL OF MATERIAL			
BAR	SIZE	TYPE	LENGTH
B1	#7	STR.	-
B2	#5	STR.	-
B3	#4	STR.	2'-6"
-	-	-	-
S1	#4	1	10'-5"
S2	#4	2	3'-5"
REINFORCING STEEL =			53 LBS./LIN.FT.
CLASS A CONCRETE =			0.4 CU.YD./LIN.FT.



**PLAN**

**NOTES**

DESIGN ASSUMPTIONS:

- ANCHOR/VERTICAL MICROPILE LOAD OF 55 KIPS.
- VERTICAL LOAD OF 4.6 KIPS/SQFT.
- LATERAL LOAD OF 4.9 KIPS/SQFT.

INVERT ALTERNATE STIRRUPS AS SHOWN.

STIRRUPS MAY BE SHIFTED SLIGHTLY AS NECESSARY TO CLEAR MICROPILES.

FOR OTHER DESIGN DATA AND GENERAL NOTES, SEE MCP DETAILS.

BEARING PLATES SHALL BE GRADE 50 STEEL.

CONTRACT NO.: c205017



DocuSigned by:  
Glen Ayes  
12/30/2024

STATE OF NORTH CAROLINA  
DEPARTMENT OF TRANSPORTATION  
RALEIGH

**SLOPE STABILIZATION  
KNEE WALL**

DRAWN BY : NAP DATE : 11/24  
CHECKED BY : G. AYES DATE : 11/24  
DESIGN ENGINEER OF RECORD : G. AYES DATE : 11/24

DOCUMENT NOT CONSIDERED  
FINAL UNLESS ALL  
SIGNATURES COMPLETED

REVISIONS						SHEET NO. 26-10 TOTAL SHEETS
NO.	BY:	DATE:	NO.	BY:	DATE:	
1			3			TOTAL SHEETS
2			4			